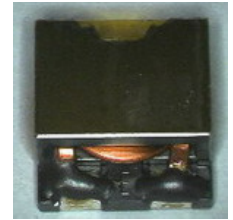
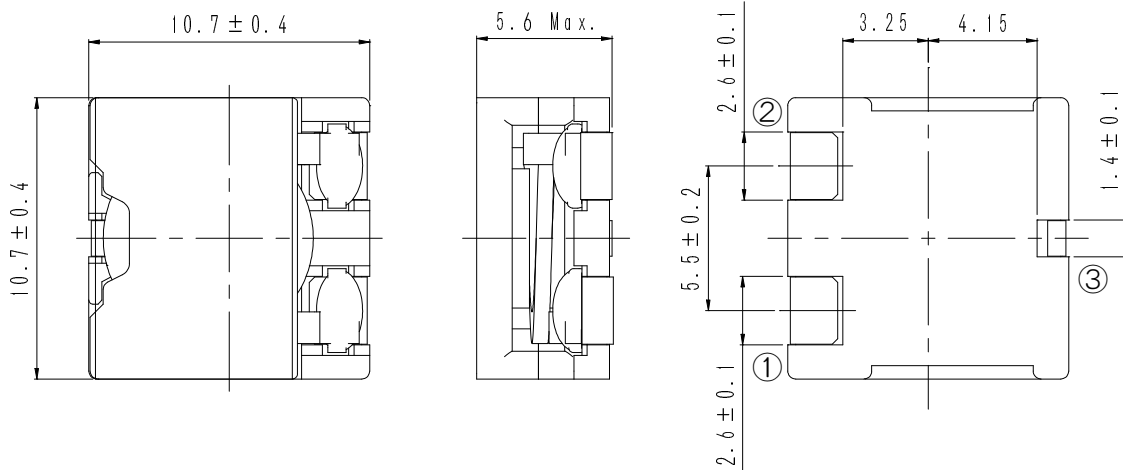
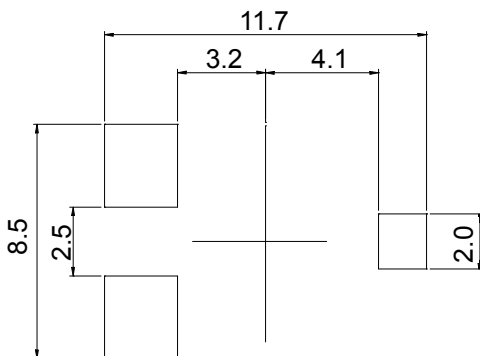
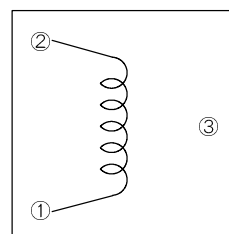


Type: CDEP115
◆ Product Description

- 11.1×11.1mm Max. (L×W), 5.6mm Max. height
- Inductance range: 0.4~3.6 μ H.
- Rated current range: 7.3~23.0 A.
- In addition to the standards versions shown here, custom inductors are also available to meet your exact requirements.

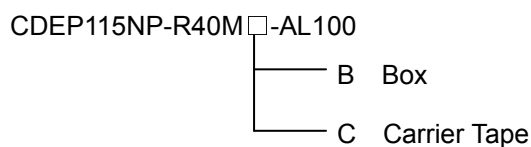

◆ Feature

- Mn-Zn core used, Flat wire used.
- Super high current Inductors, ideally used in Notebook and desktop CPU power supply.
- RoHS Compliance

◆ Dimensions (mm)

◆ Land Pattern (mm)

◆ Schematics (Bottom)


Type: CDEP115
◆ Specification

Part Name ※	Stamp	Inductance 100kHz μ H	D.C.R.(m Ω) Max.(Typ.) (at 20°C)	Saturation Current (A) ※1			Temperature Rise current (A) ※2
				at 20°C	at 105°C	at 125°C	
CDEP115NP-R40M□-AL100	R40MS	0.40±20%	1.7(1.4)	32.0	25.6	24.0	23.0
CDEP115NP-R90M□-AL100	R90MS	0.90±20%	3.1(2.6)	21.0	17.3	15.8	16.2
CDEP115NP-1R6M□-AL100	1R6MS	1.6±20%	5.4(4.5)	15.8	13.1	12.0	12.2
CDEP115NP-2R5M□-AL100	2R5MS	2.5±20%	8.2(6.8)	12.9	10.6	9.7	9.4
CDEP115NP-3R6M□-AL100	3R6MS	3.6±20%	12.1(10.1)	10.6	8.9	8.1	7.3

※ Description of part name


※1 Saturation current: The DC current when the inductance decreases to 75% of it's nominal value.

※2 Temperature rise current: The DC current when the temperature rise is $\Delta t=40^{\circ}\text{C}$. ($T_a=20^{\circ}\text{C}$)