



# CAT811, CAT812

## 4-Pin Microprocessor Power Supply Supervisors with Manual Reset

### FEATURES

- Precision monitoring of
  - +5.0 V ( $\pm 5\%$ ,  $\pm 10\%$ ,  $\pm 20\%$ ),
  - +3.3 V ( $\pm 5\%$ ,  $\pm 10\%$ ),
  - +3.0 V ( $\pm 10\%$ ) and
  - +2.5 V ( $\pm 5\%$ ) power supplies
- Manual reset input
- Offered in two output configurations:
  - CAT811: Active LOW reset
  - CAT812: Active HIGH reset
- Direct replacements for the MAX811 and MAX812 in applications operating over the industrial temperature range
- Reset valid down to  $V_{CC} = 1.0$  V
- 6  $\mu$ A power supply current
- Power supply transient immunity
- Available in SOT-143 packages with Sn or NiPdAu Green Lead finishes.
- Industrial temperature range:  $-40^{\circ}\text{C}$  to  $+85^{\circ}\text{C}$

### APPLICATIONS

- Computers
- Servers
- Laptops
- Cable modems
- Wireless communications
- Embedded control systems
- White goods
- Power meters
- Intelligent instruments
- PDAs and handheld equipment

### THRESHOLD SUFFIX SELECTOR

Nominal Threshold Voltage	Threshold Suffix Designation
4.63V	L
4.38V	M
4.00V	J
3.08V	T
2.93V	S
2.63V	R
2.32V	Z

### DESCRIPTION

The CAT811 and CAT812 are microprocessor supervisory circuits that monitor power supplies. The CAT811 and CAT812 are direct replacements for the MAX811 and MAX812 in applications operating over the industrial temperature range; both have a manual reset input.

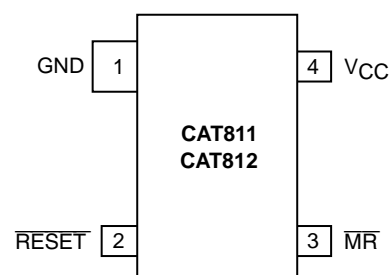
These devices generate a reset signal, which is asserted while the power supply voltage is below a preset threshold level and for at least 140 ms after the power supply level has risen above that level. The underlying floating gate technology, AE<sup>2</sup>(TM) used by Catalyst Semiconductor, makes it possible to offer any custom reset threshold value. Seven industry standard threshold levels are offered to support +5.0 V, +3.3 V, +3.0 V and +2.5 V systems.

The CAT811 features a  $\overline{\text{RESET}}$  push-pull output (active LOW) and the CAT812 features a RESET push-pull output (active HIGH).

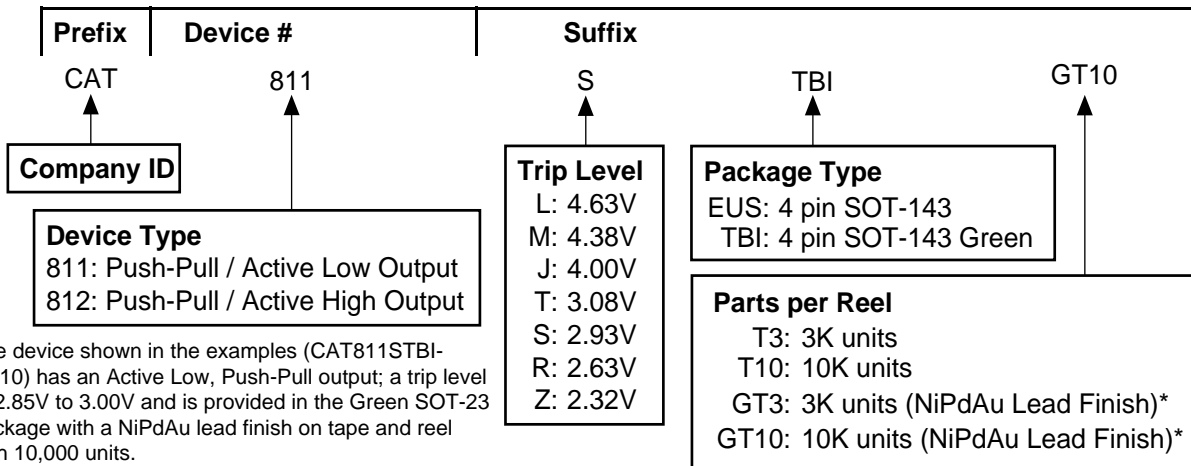
Fast transients on the power supply are ignored and the output is guaranteed to be in the correct state at  $V_{CC}$  levels as low as 1.0 V.

The CAT811/812 are fully specified over the industrial temperature range ( $-40^{\circ}\text{C}$  to  $85^{\circ}\text{C}$ ) and are available in a compact 4-pin SOT143 package.

### PIN CONFIGURATION



**ORDERING INFORMATION**



The device shown in the examples (CAT811STBI-GT10) has an Active Low, Push-Pull output; a trip level of 2.85V to 3.00V and is provided in the Green SOT-23 package with a NiPdAu lead finish on tape and reel with 10,000 units.

\* NiPdAu is a Lead Finish Option on the Green Packages only. Unless indicated with the "G" green packages are shipped with a Sn Matte Lead Finish.

**TOP MARKING**

Parts and Threshold	SOT-143 <sup>(1)</sup>	SOT-143 Green Sn Matte Lead Finish <sup>(1) (2)</sup>	SOT-143 Green NiPdAu Lead Finish <sup>(1) (2)</sup>
CAT811L	AMYM	DHYM	ERYM
CAT811M	ANYM	DJYM	
CAT811J	AZYM	CKYM	
CAT811T	APYM	DLYM	
CAT811S	AQYM	DMYM	
CAT811R	ARYM	DNYM	
CAT811Z	AYYM	CPYM	
CAT812L	ASYM	DRYM	ESYM
CAT812M	ATYM	DTYM	
CAT812J	AUYM	DUYM	
CAT812T	AVYM	DVYM	
CAT812S	AWYM	DWYM	
CAT812R	AXYM	DXYM	
CAT812Z	CIYM	CYYM	

Notes

- 1) The "YM" in the SOT-143 package marking indicates the Year and Month of production.
- 2) All NiPdAu devices will be marked to indicate product type and package. Threshold and full part numbers will be provided on box and reel labels as well as all Shipping documents.

**PIN DESCRIPTIONS**

Pin Number		Name	Description
CAT811	CAT812		
1	1	GND	Ground
2	—	RESET	Active LOW reset. RESET is asserted if V <sub>CC</sub> falls below the reset threshold and remains low for at least 140ms after V <sub>CC</sub> rises above the reset threshold.
—	2	RESET	Active HIGH reset. RESET is asserted if V <sub>CC</sub> falls below the reset threshold and remains high for at least 140ms after V <sub>CC</sub> rises above the reset threshold.
3	3	MR	Manual Reset Input. A logic LOW on MR asserts RESET. RESET remains active as long as MR is LOW and for 140ms after MR returns HIGH. The active low input has an internal 20kΩ pull-up resistor. The input should be left open if not used.
4	4	V <sub>CC</sub>	Power supply voltage that is monitored.

**ABSOLUTE MAXIMUM RATINGS\***

Any pin with respect to ground ..... -0.3 V to +6.0 V  
 Input Current,  $V_{CC}$  ..... 20 mA  
 Output Current, RESET,  $\overline{\text{RESET}}$  ..... 20 mA  
 Rate of Rise,  $V_{CC}$  ..... 100 V/ $\mu$ s  
 Continuous Power Dissipation  
 Derate 4mW/ $^{\circ}$ C above 70 $^{\circ}$ C (SOT143) ..... 320 mW

Operating Temperature Range ..... -40 $^{\circ}$ C to +85 $^{\circ}$ C  
 Storage Temperature Range ..... -65 $^{\circ}$ C to +105 $^{\circ}$ C  
 Lead Soldering Temperature (10 sec) ..... 300 $^{\circ}$ C

**\*COMMENT**

Stresses above those listed under "Absolute Maximum Ratings" may cause permanent damage to the device. These are stress ratings only, and functional operation of the device at these or any other conditions outside of those listed in the operational sections of this specification is not implied. Exposure to any absolute maximum rating for extended periods may affect device performance and reliability.

**ELECTRICAL CHARACTERISTICS**

$V_{CC}$  = Full range,  $T_A$  = -40 $^{\circ}$ C to +85 $^{\circ}$ C unless otherwise noted. Typical values at  $T_A$  = +25 $^{\circ}$ C and  $V_{CC}$  = 5 V for the L/M/J versions,  $V_{CC}$  = 3.3 V for the T/S versions,  $V_{CC}$  = 3 V for the R version and  $V_{CC}$  = 2.5 V for the Z version.

Parameter	Symbol	Conditions	Min	Typ	Max	Units	
VCC Range		$T_A = 0^{\circ}\text{C to } +70^{\circ}\text{C}$	1.0		5.5	V	
		$T_A = -40^{\circ}\text{C to } +85^{\circ}\text{C}$	1.2		5.5		
Supply Current	$I_{CC}$	$T_A = -40^{\circ}\text{C to } +85^{\circ}\text{C}$	$V_{CC} < 5.5\text{ V, J/L/M}$		8	20	$\mu\text{A}$
			$V_{CC} < 3.6\text{ V, R/S/T/Z}$		6	15	
Reset Threshold Voltage	$V_{TH}$	L Threshold	$T_A = +25^{\circ}\text{C}$	4.56	4.63	4.70	V
			$T_A = -40^{\circ}\text{C to } +85^{\circ}\text{C}$	4.50		4.75	
		M Threshold	$T_A = +25^{\circ}\text{C}$	4.31	4.38	4.45	
			$T_A = -40^{\circ}\text{C to } +85^{\circ}\text{C}$	4.25		4.50	
		J Threshold	$T_A = +25^{\circ}\text{C}$	3.93	4.00	4.06	
			$T_A = -40^{\circ}\text{C to } +85^{\circ}\text{C}$	3.89		4.10	
		T Threshold	$T_A = +25^{\circ}\text{C}$	3.04	3.08	3.11	
			$T_A = -40^{\circ}\text{C to } +85^{\circ}\text{C}$	3.00		3.15	
		S Threshold	$T_A = +25^{\circ}\text{C}$	2.89	2.93	2.96	
			$T_A = -40^{\circ}\text{C to } +85^{\circ}\text{C}$	2.85		3.00	
		R Threshold	$T_A = +25^{\circ}\text{C}$	2.59	2.63	2.66	
			$T_A = -40^{\circ}\text{C to } +85^{\circ}\text{C}$	2.55		2.70	
		Z Threshold	$T_A = +25^{\circ}\text{C}$	2.28	2.32	2.35	
			$T_A = -40^{\circ}\text{C to } +85^{\circ}\text{C}$	2.25		2.38	

**ELECTRICAL CHARACTERISTICS** (continued)

V<sub>CC</sub> = Full range, T<sub>A</sub> = -40°C to +85°C unless otherwise noted. Typical values at T<sub>A</sub> = +25°C and V<sub>CC</sub> = 5 V for L/M/J versions, V<sub>CC</sub> = 3.3 V for T/S versions, V<sub>CC</sub> = 3 V for R version and V<sub>CC</sub> = 2.5 V for Z version.

Parameter	Symbol	Conditions	Min	Typ <sup>(1)</sup>	Max	Units
Reset Threshold Tempco				30		ppm/°C
V <sub>CC</sub> to Reset Delay (Note 2)		V <sub>CC</sub> = V <sub>TH</sub> to (V <sub>TH</sub> - 100 mV)		20		μs
Reset Active Timeout Period		T <sub>A</sub> = -40°C to +85°C	140	240	400	ms
RESET Output Voltage Low (Push-pull, active LOW, CAT811)	V <sub>OL</sub>	V <sub>CC</sub> = V <sub>TH</sub> min, I <sub>SINK</sub> = 1.2 mA CAT811R/S/T/Z			0.3	V
		V <sub>CC</sub> = V <sub>TH</sub> min, I <sub>SINK</sub> = 3.2 mA CAT811J/L/M			0.4	
		V <sub>CC</sub> > 1.0 V, I <sub>SINK</sub> = 50 μA			0.3	
RESET Output Voltage High (Push-pull, active LOW, CAT811)	V <sub>OH</sub>	V <sub>CC</sub> = V <sub>TH</sub> max, I <sub>SOURCE</sub> = 500 μA CAT811R/S/T/Z	0.8 V <sub>CC</sub>			V
		V <sub>CC</sub> = V <sub>TH</sub> max, I <sub>SOURCE</sub> = 800 μA CAT811J/L/M	V <sub>CC</sub> - 1.5			
RESET Output Voltage Low (Push-pull, active HIGH, CAT812)	V <sub>OL</sub>	V <sub>CC</sub> > V <sub>TH</sub> max, I <sub>SINK</sub> = 1.2 mA CAT812R/S/T/Z			0.3	V
		V <sub>CC</sub> > V <sub>TH</sub> max, I <sub>SINK</sub> = 3.2 mA CAT812J/L/M			0.4	
RESET Output Voltage High (Push-pull active HIGH, CAT812)	V <sub>OH</sub>	1.8 V < V <sub>CC</sub> ≤ V <sub>TH</sub> min, I <sub>SOURCE</sub> = 150 μA	0.8 V <sub>CC</sub>			V
MR Minimum Pulse Width	t <sub>MR</sub>		10			μs
MR Glitch Immunity		Note 3		100		ns
MR to RESET Propagation Delay	t <sub>MD</sub>	Note 2		0.5		μs
MR Input Threshold	V <sub>IH</sub>	V <sub>CC</sub> > V <sub>TH</sub> (MAX), CAT811/812L/M/J	2.3 V			V
	V <sub>IL</sub>				0.8	
	V <sub>IH</sub>	V <sub>CC</sub> > V <sub>IH</sub> (MAX), CAT811/812R/S/T/Z	0.7V <sub>CC</sub>			
	V <sub>IL</sub>				0.25V <sub>CC</sub>	
MR Pull-up Resistance			10	20	30	kΩ

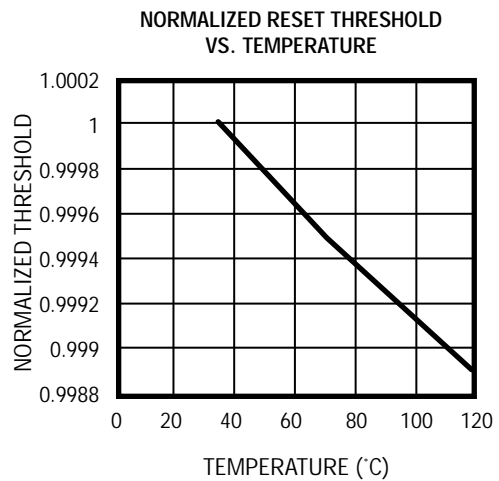
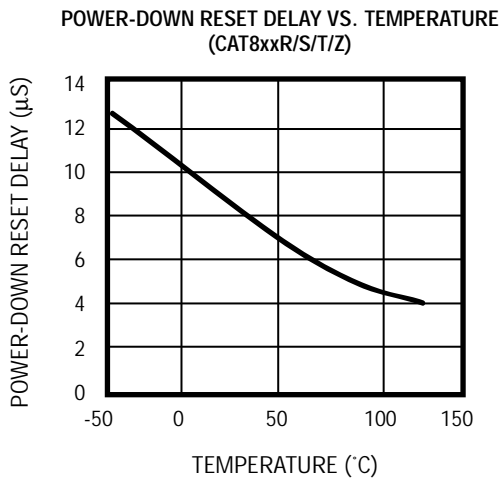
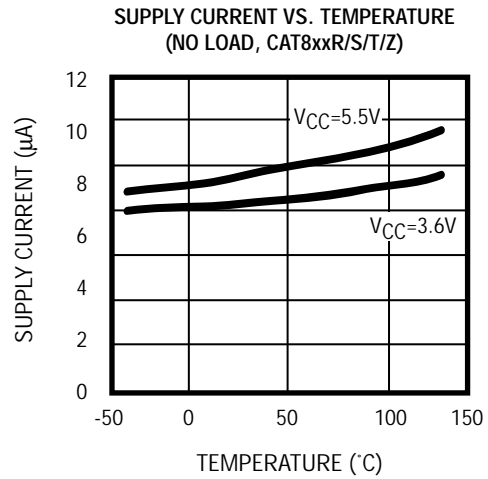
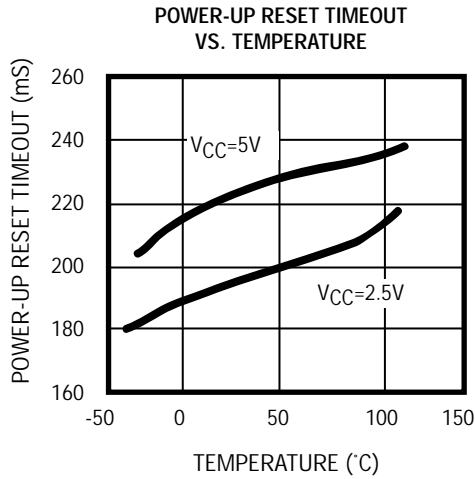
Note 1: Production testing done at T<sub>A</sub> = +25°C; limits over temperature guaranteed by design only.

Note 2: RESET output for the CAT811; RESET output for the CAT812

Note 3: Glitches of 100 ns or less typically will not generate a reset pulse.

**TYPICAL OPERATING CHARACTERISTICS**

$V_{CC}$  = Full range,  $T_A$  =  $-40^{\circ}\text{C}$  to  $+85^{\circ}\text{C}$  unless otherwise noted. Typical values at  $T_A = +25^{\circ}\text{C}$  and  $V_{CC} = 5\text{ V}$  for L/M/J versions,  $V_{CC}=3.3\text{ V}$  for T/S versions,  $V_{CC} = 3\text{ V}$  for R version and  $V_{CC} = 2.5\text{ V}$  for Z version.



## DETAILED DESCRIPTIONS

### RESET TIMING

The reset signal is asserted LOW for the CAT811 and HIGH for the CAT812 when the power supply voltage falls below the threshold trip voltage and remains asserted for at least 140ms after the power supply voltage has risen above the threshold.

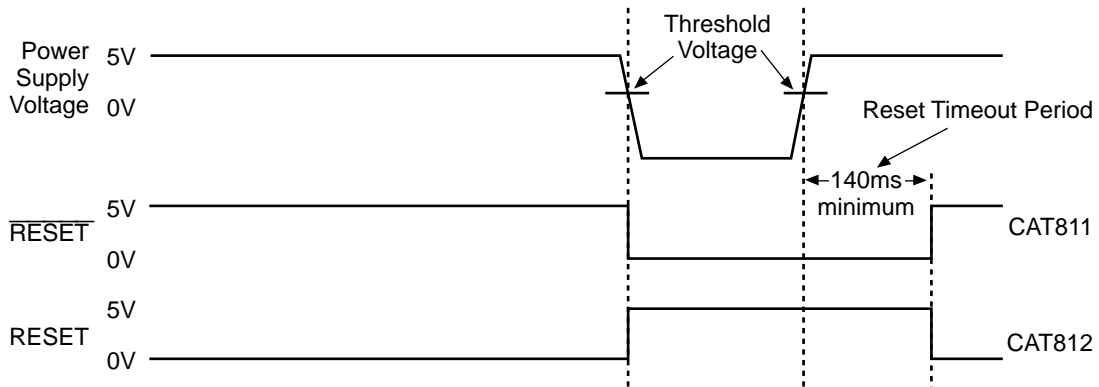


Figure 1. Reset Timing Diagram

### V<sub>CC</sub> TRANSIENT RESPONSE

The CAT811/812 protect  $\mu$ Ps against brownout failure. Short duration transients of 4 $\mu$ sec or less and 100 mV amplitude typically do not cause a false RESET.

Figure 2 shows the maximum pulse duration of negative-going V<sub>CC</sub> transients that do not cause a reset condition.

As the amplitude of the transient goes further below the threshold (increasing V<sub>TH</sub> - V<sub>CC</sub>), the maximum pulse duration decreases. In this test, the V<sub>CC</sub> starts from an initial voltage of 0.5V above the threshold and drops below it by the amplitude of the overdrive voltage (V<sub>TH</sub> - V<sub>CC</sub>).

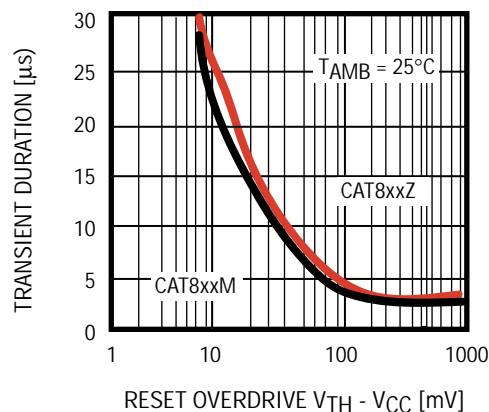
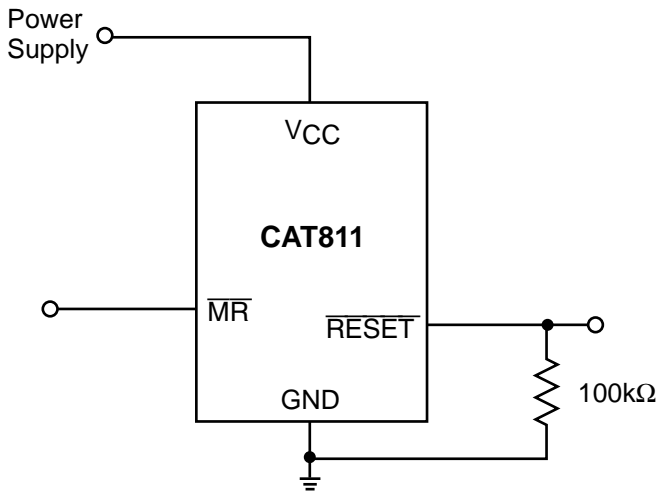


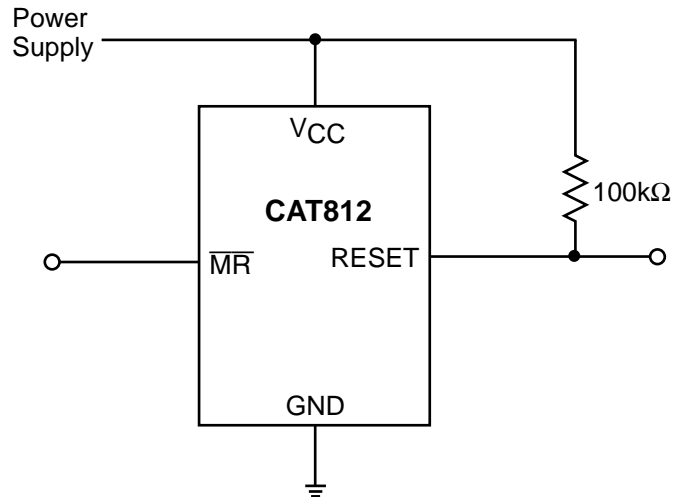
Figure 2. Maximum Transient Duration Without Causing a Reset Pulse vs. Reset Comparator Overdrive

**VALID RESET WITH  $V_{CC}$  UNDER 1.0 V**

To ensure that the CAT811  $\overline{\text{RESET}}$  pin is in a known state when  $V_{CC}$  is under 1.0 V, a 100 k $\Omega$  pull-down resistor between  $\overline{\text{RESET}}$  pin and GND is recommended; the value is not critical. For the CAT812, a pull-up resistor from RESET pin to  $V_{CC}$  is needed.



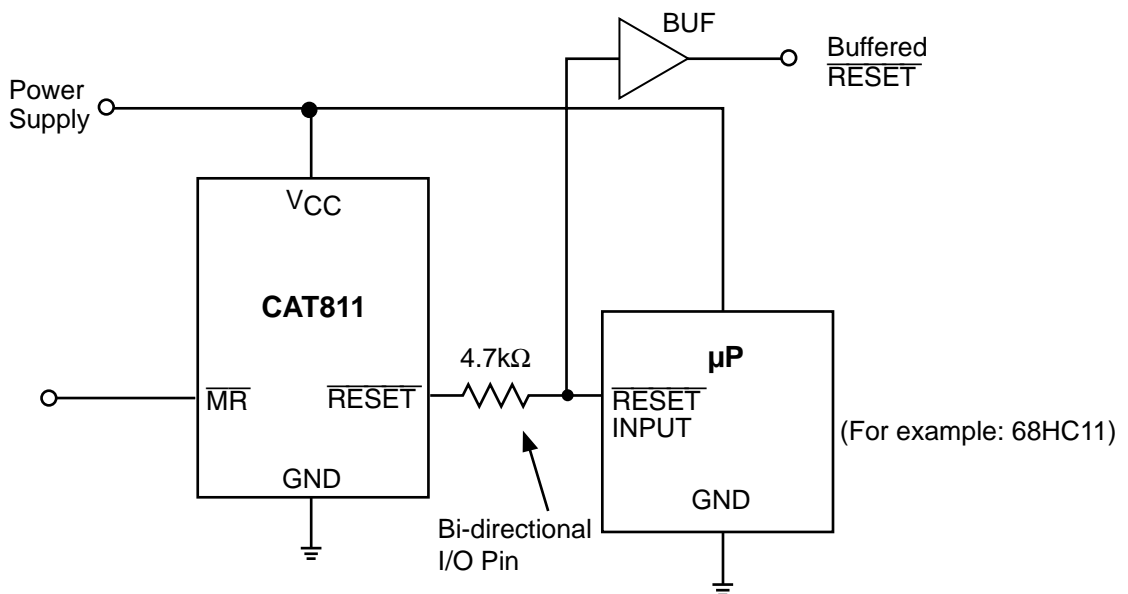
**Figure 3.  $\overline{\text{RESET}}$  Valid with  $V_{CC}$  Under 1.0 V**



**Figure 4. RESET Valid with  $V_{CC}$  Under 1.1 V**

**BI-DIRECTIONAL RESET PIN INTERFACING**

The CAT811/812 can interface with  $\mu\text{P}/\mu\text{C}$  bi-directional reset pins by connecting a 4.7 k $\Omega$  resistor in series with the CAT811/812 reset output and the  $\mu\text{P}/\mu\text{C}$  bi-directional reset pin.



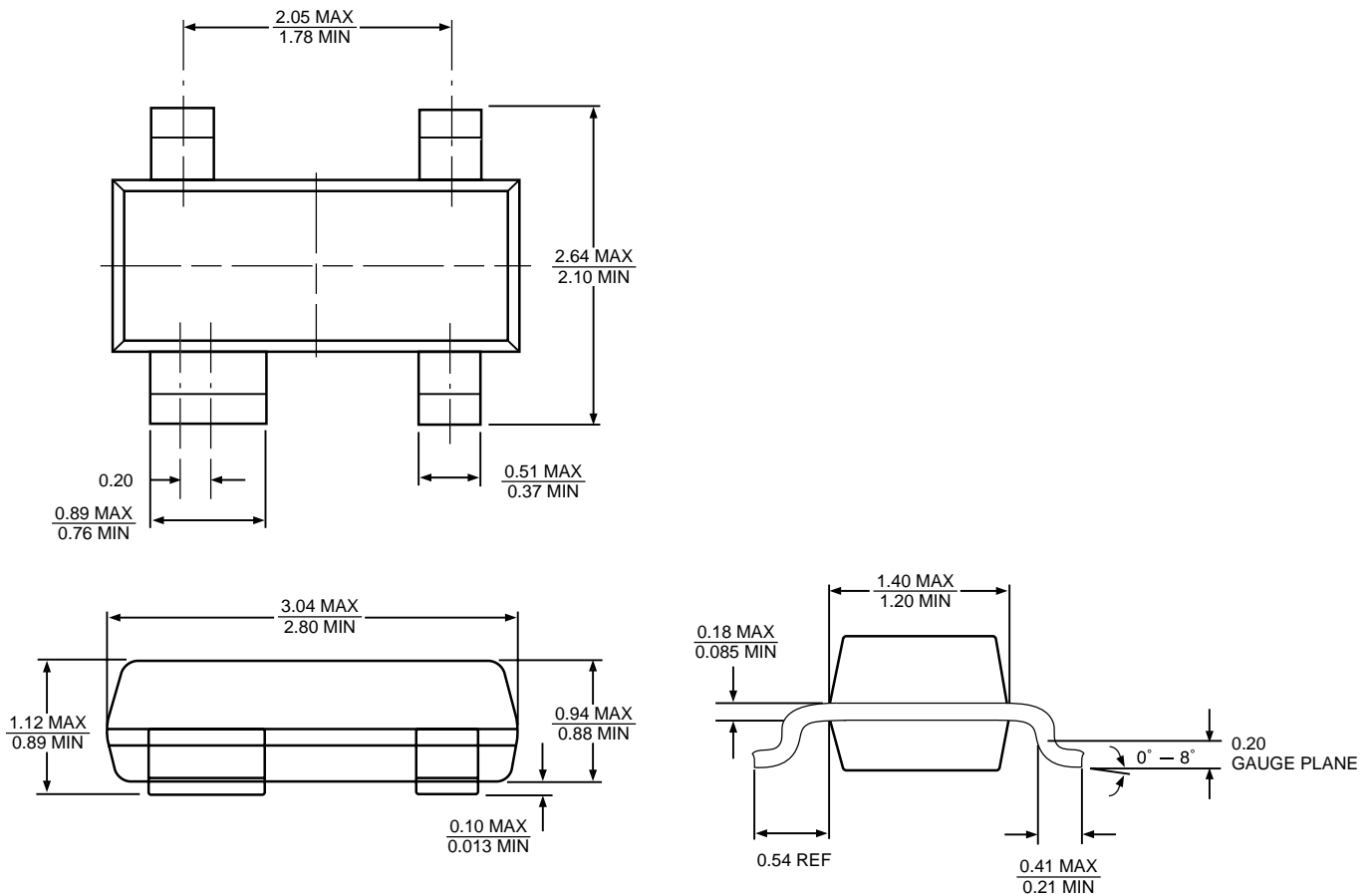
**Figure 5. Bi-directional Reset Pin Interfacing**

**OTHER SUPERVISORY PRODUCTS**

Function	CAT1161/3	CAT1162	CAT809	CAT810	CAT811	CAT812
With 16k Bit Serial EEPROM Memory	●	●				
Watchdog Timer	●					
Manual Reset Input	●	●			●	●
Active Low Reset			●		●	
Active High Reset				●		●
Dual Polarity Reset Outputs	●	●				
Package	8-pin DIP and SOIC	8-pin DIP and SOIC	3-pin SOT23 and SC70	3-pin SOT23 and SC70	4-pin SOT143	4-pin SOT143

**PACKAGE INFORMATION**

**Plastic SOT143 (4-Pin)**





## REVISION HISTORY

Date	Rev.	Reason
10/22/03	L	Updated Ordering Information
12/22/2003	M	Updated Features Replaced power-up reset timeout vs. temperature graph with updated one Replaced VCC Transient Response graph with updated one
3/22/04	N	General data sheet updates
3/25/2004	O	Updated Electrical Characteristics (Reset Active Timeout Period Max)
3/25/2004	P	Corrected Pin Configure diagram
9/28/2004	Q	Minor changes
12/28/2005	R	Updated Features Updated Ordering Information Updated Yop Marking

---

### Copyrights, Trademarks and Patents

Trademarks and registered trademarks of Catalyst Semiconductor include each of the following:

DPP™ AE<sup>2</sup>™ MiniPot™

Catalyst Semiconductor has been issued U.S. and foreign patents and has patent applications pending that protect its products. For a complete list of patents issued to Catalyst Semiconductor contact the Company's corporate office at 408.542.1000.

*CATALYST SEMICONDUCTOR MAKES NO WARRANTY, REPRESENTATION OR GUARANTEE, EXPRESS OR IMPLIED, REGARDING THE SUITABILITY OF ITS PRODUCTS FOR ANY PARTICULAR PURPOSE, NOR THAT THE USE OF ITS PRODUCTS WILL NOT INFRINGE ITS INTELLECTUAL PROPERTY RIGHTS OR THE RIGHTS OF THIRD PARTIES WITH RESPECT TO ANY PARTICULAR USE OR APPLICATION AND SPECIFICALLY DISCLAIMS ANY AND ALL LIABILITY ARISING OUT OF ANY SUCH USE OR APPLICATION, INCLUDING BUT NOT LIMITED TO, CONSEQUENTIAL OR INCIDENTAL DAMAGES.*

Catalyst Semiconductor products are not designed, intended, or authorized for use as components in systems intended for surgical implant into the body, or other applications intended to support or sustain life, or for any other application in which the failure of the Catalyst Semiconductor product could create a situation where personal injury or death may occur.

Catalyst Semiconductor reserves the right to make changes to or discontinue any product or service described herein without notice. Products with data sheets labeled "Advance Information" or "Preliminary" and other products described herein may not be in production or offered for sale.

Catalyst Semiconductor advises customers to obtain the current version of the relevant product information before placing orders. Circuit diagrams illustrate typical semiconductor applications and may not be complete.

---



Catalyst Semiconductor, Inc.

Corporate Headquarters

1250 Borregas Avenue

Sunnyvale, CA 94089

Phone: 408.542.1000

Fax: 408.542.1200

[www.catalyst-semiconductor.com](http://www.catalyst-semiconductor.com)

Publication #: 3005

Revision: R

Issue date: 12/28/05