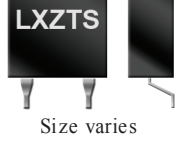


SMD LOW FREQUENCY kHz BAND CERAMIC RESONATORS

LXZTS series

Pb in ceramic
(exempt per RoHS 2002/95/EC Annex (7))

RoHS
Compliant



FEATURES:

- Standard frequency range from 400kHz to 1000kHz
- Suitable for RoHS compliant reflow process
- Low cost timing solution
- Low resonant impedance
- SMD type package with formed leads

APPLICATIONS:

- Microprocessor clocks
- Electrical appliances
- Remote controls

STANDARD SPECIFICATIONS:

Parameters	Minimum	Typical	Maximum	Units	Notes
Standard Frequencies (F_{osc})	400, 455, 500, 600, 800, 1000			kHz	Please contact Abracon for other frequencies
Frequency Accuracy	See Table 1				
Resonant Impedance R_0	See Table 1			Ω	
Temperature Coefficient	-0.3	-----	+0.3	%	Oscillation Freq. drift, -25 ~ +85°C
Aging*	-0.3	-----	+0.3	%	10 years, from initial value
Withstanding Voltage	-----	-----	50	Vdc	1 minute
Insulation Resistance R_i	100	-----	-----	M Ω	10V, 1 minute
Operating Temperature Range	-25	-----	+85	°C	
Storage Temperature Range	-40	-----	+85	°C	
Rating Voltage UR	-----	-----	6	Vdc	
	-----	-----	15	Vp-p	

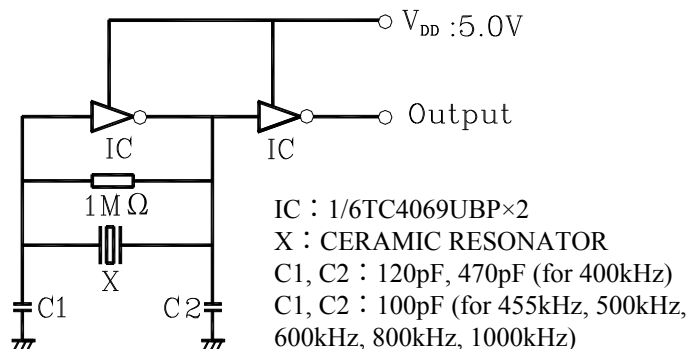
* Components shall be left in a chamber of +85±2°C for 1000 hours, and then measured after leaving in natural condition for 1 hour.

Table 1

Frequency (kHz)	Frequency Accuracy	Resonant Impedance R_0 (Ω)
400	±2.0 (kHz)	20
455	±2.0 (kHz)	20
500	±2.0 (kHz)	20
600	±2.0 (kHz)	30
800	±0.5 (%)	70
1000	±0.5 (%)	100

TEST CIRCUIT:

Parts shall be measured under a condition (Temp. : 20°C±15°C, Humidity : 65%±20% R.H.) unless the standard condition (Temp. : 25°C ±3°C, Humidity : 65%±5% R.H.) is regulated to measure.

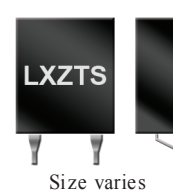


SMD LOW FREQUENCY kHz BAND CERAMIC RESONATORS

LXZTS series

Pb in ceramic
(exempt per RoHS 2002/95/EC Annex (7))

**RoHS
Compliant**



OPTIONS & PART IDENTIFICATION:

LXZTS - kHz -

Frequency in MHz

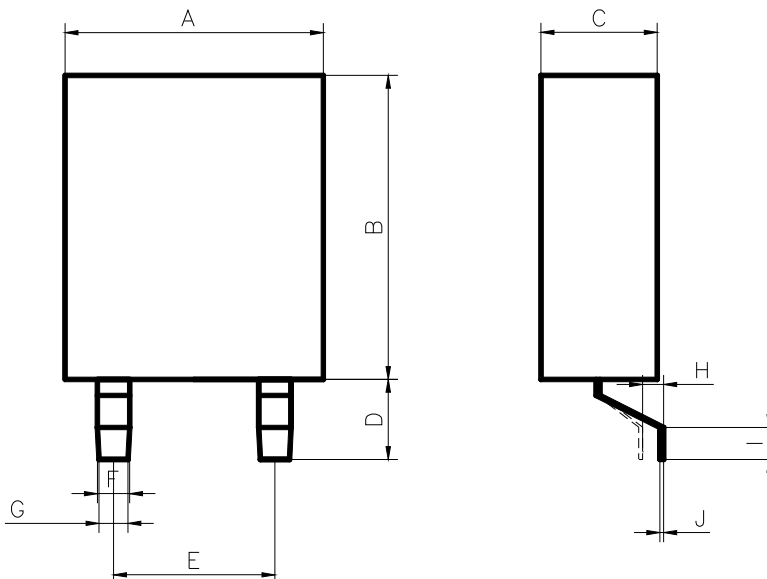
Please specify the frequency in kHz.
e.g. 455kHz, 600kHz

Packaging

Blank: Bulk

T: Tape and reel

OUTLINE DIMENSIONS:



F _{osc} (kHz)	A	B	C	D	E	F	G	H	I	J
400	8.0±0.5	9.0±0.5	3.5±0.5	2.0±0.5	5.0±0.5	1.1±0.1	0.9±0.1	0+0.1/-0.4	1.0±0.3	0.15±0.05
455	7.5±0.3	8.5±0.3	3.3±0.3	2.5±0.5	5.0±0.5	1.1±0.1	0.9±0.1	0+0.1/-0.4	1.0±0.5	0.15±0.02
500	7.5±0.5	8.5±0.5	3.3±0.5	2.0±0.5	5.0±0.5	1.0±0.1	---	0+0.1/-0.4	1.0±0.3	0.15±0.05
600	7.0±0.3	8.5±0.3	3.0±0.3	2.5±0.5	5.0±0.5	1.1±0.1	0.9±0.1	0+0.1/-0.4	1.0±0.5	0.15±0.02
800	5.0±0.3	6.0±0.3	2.2±0.3	2.0±0.5	2.5±0.5	0.8±0.2	---	0+0.1/-0.4	1.0±0.5	0.12±0.02
1000	5.0±0.5	6.0±0.5	2.2±0.5	2.0±0.5	2.5±0.5	0.8±0.2	0.7±0.2	0+0.1/-0.4	1.0±0.3	0.12±0.05

Dimensions: mm

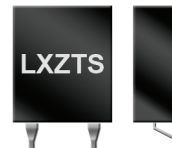


SMD LOW FREQUENCY kHz BAND CERAMIC RESONATORS

LXZTS series

Pb in ceramic
(exempt per RoHS 2002/95/EC Annex (7))

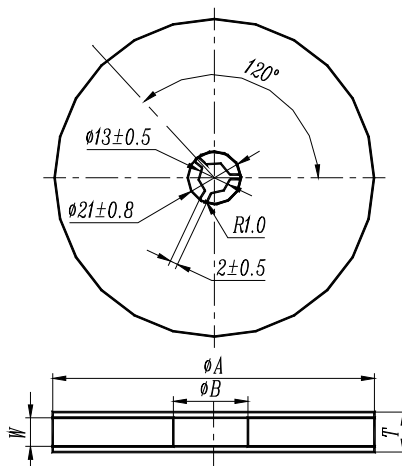
RoHS
Compliant



Size varies

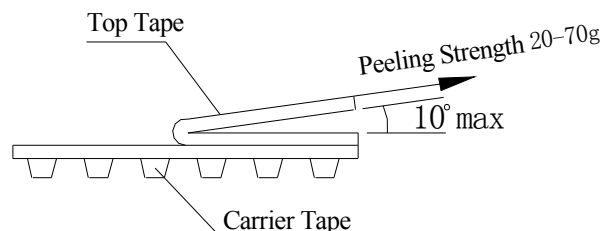
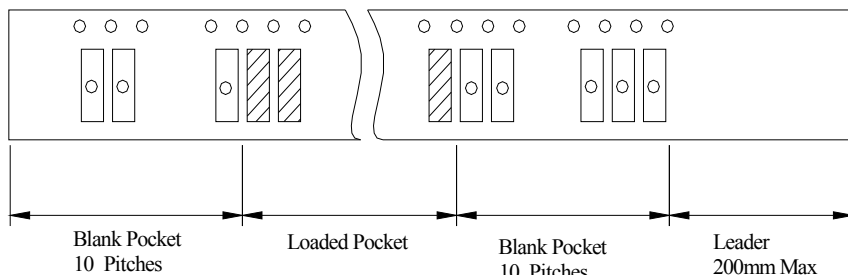
TAPE AND REEL:

T: 1000pcs/ reel for 400kHz, 455kHz, 500kHz, 600kHz
T: 2500pcs/ reel for 800kHz, 1000kHz

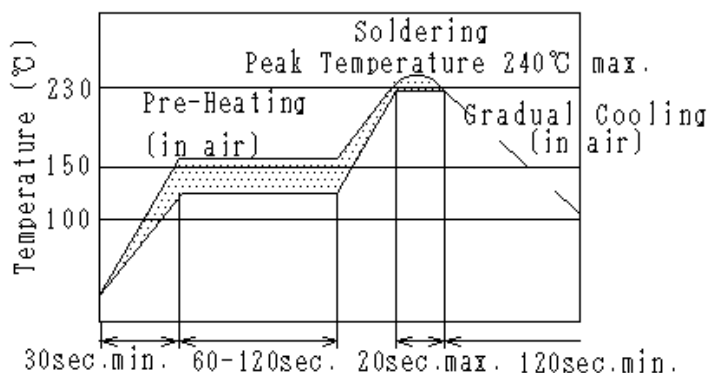


φ A	φ B	W	T	Carrier tape size
330± 3	80min	24.5min	30.4max	24

Dimensions: mm



REFLOW PROFILE:



1. Pre-heating conditions shall be 140 to 160°C for 60 to 120 seconds. Ascending time up to 150°C shall be longer than 30 seconds.
2. Heating conditions shall be within 20 seconds at 230°C min., but peak temperature shall be lower than 240°C.

ATTENTION: Abracon Corporation's products are COTS – Commercial-Off-The-Shelf products; suitable for Commercial, Industrial and, where designated, Automotive Applications. Abracon's products are not specifically designed for Military, Aviation, Aerospace, Life-dependant Medical applications or any application requiring high reliability where component failure could result in loss of life and/or property. For applications requiring high reliability and/or presenting an extreme operating environment, written consent and authorization from Abracon Corporation is required. Please contact Abracon Corporation for more information.

ABRACON IS
ISO9001:2008
CERTIFIED



ABRACON CORPORATION

Visit www.abracon.com for Terms & Conditions of Sale **Revised: 12.29.10**
30332 Esperanza, Rancho Santa Margarita, California 92688
tel 949-546-8000 | fax 949-546-8001 | www.abracon.com