

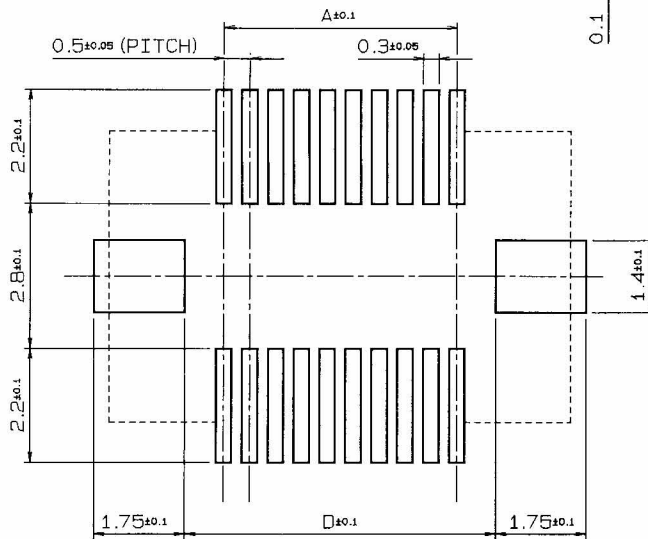
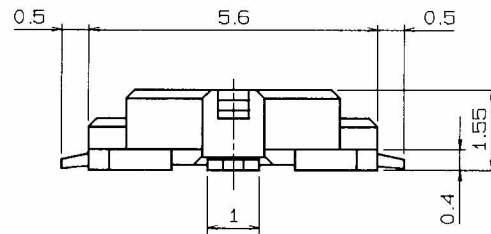
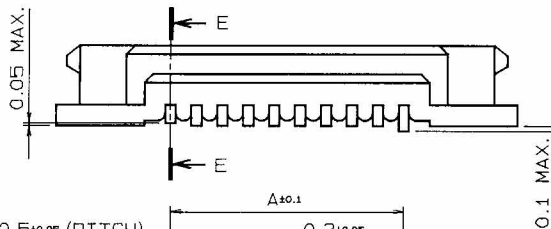
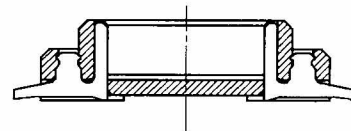
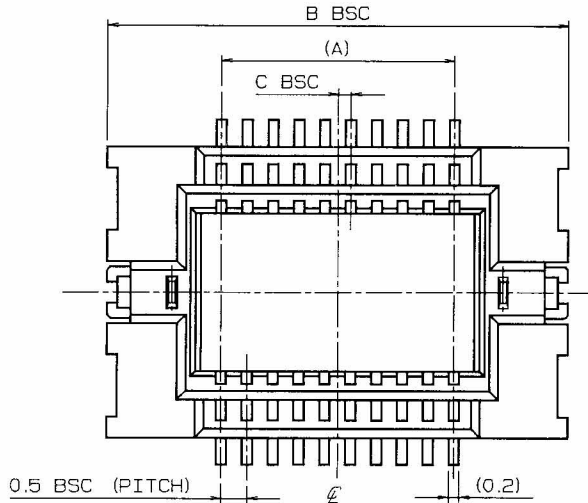
SUPER MICRO CONNECTORS

SERIES

5087

プラグ(H=2.0mm)

Plug (H=2.0mm)



参考基板レイアウト
MOUNTING LAYOUT

| 極数 NO. OF POS. | 寸法 DIMENSION | | | |
|----------------------|-----------------|------|------|------|
| | A | B | C | D |
| 10 | 2.0 | 6.4 | 0.5 | 3.5 |
| 30 | 7.0 | 11.4 | 0.5 | 8.5 |
| 50 | 12.0 | 16.4 | 0.5 | 13.5 |
| 60 | 14.5 | 18.9 | 0.25 | 16.0 |

注文コード Ordering Code

14 5087 XXX X20 829

VARIATION CODE

| 極数 NO. OF POS. | VARIATION CODE |
|-------------------|---|
| 9 | 金具付 吸着テープ付 WITH METAL, WITH VACUUM TAPE |
| 0 | 金具付 WITH METAL |
| 2 | 金具無 WITHOUT METAL |

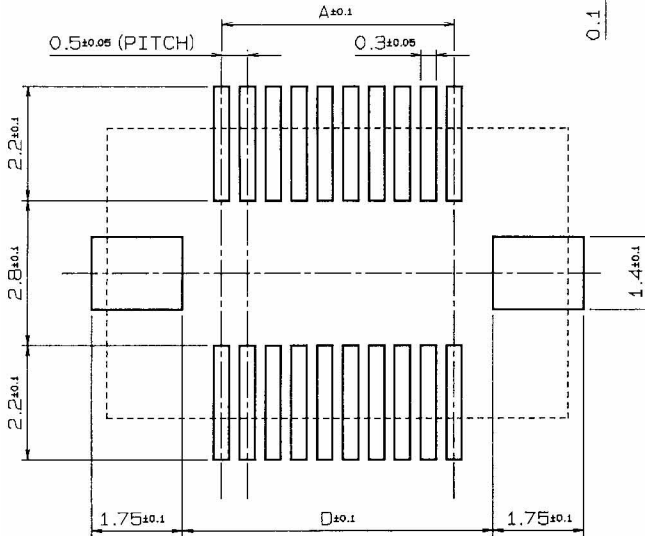
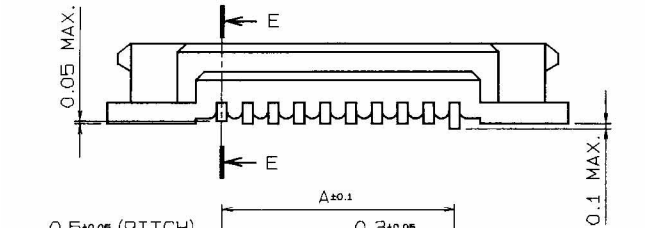
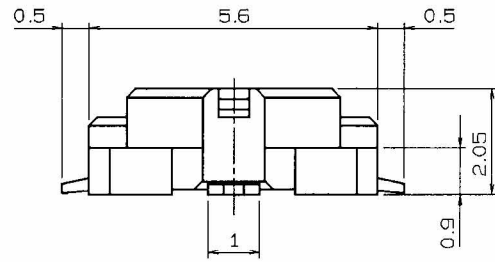
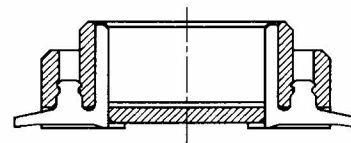
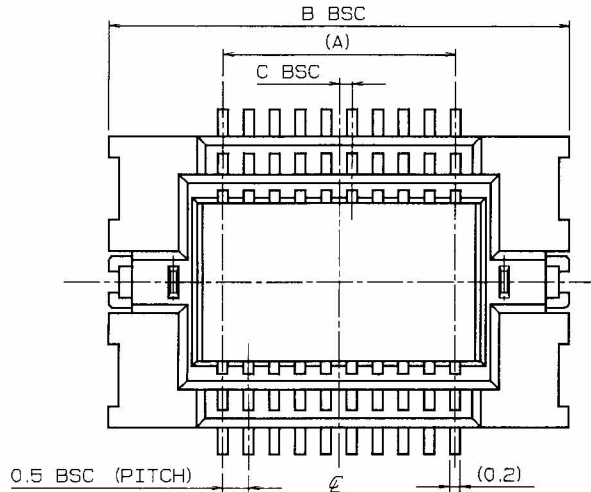
SUPER MICRO CONNECTORS

SERIES

5087

プラグ(H=2.5mm)

Plug (H=2.5mm)



参考基板レイアウト
MOUNTING LAYOUT

| 極数 NO. OF POS. | 寸法 DIMENSION | | | |
|----------------------|-----------------|------|------|------|
| | A | B | C | D |
| 30 | 7.0 | 11.4 | 0.5 | 8.5 |
| 50 | 12.0 | 16.4 | 0.5 | 13.5 |
| 60 | 14.5 | 18.9 | 0.25 | 16.0 |

注文コード Ordering Code

14 5087 XXX X25 829

| 極数 NO. OF POS. |
|-------------------|
| 030 |
| 050 |
| 060 |

| VARIATION CODE | |
|----------------|---|
| 9 | 金具付 吸着テープ付 WITH METAL, WITH VACUUM TAPE |
| 0 | 金具付 WITH METAL |
| 2 | 金具無 WITHOUT METAL |

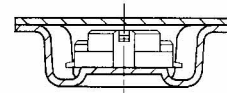
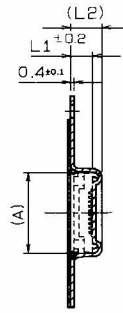
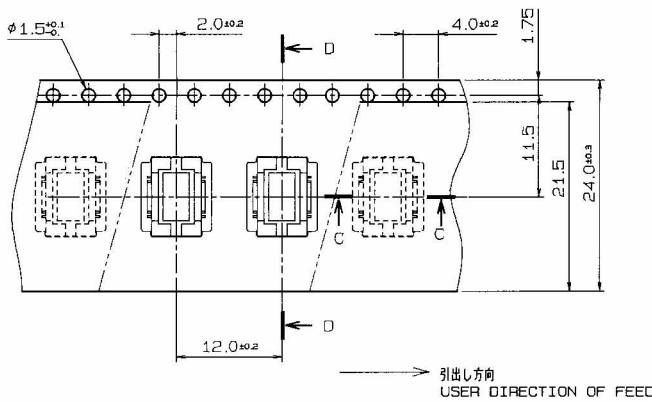
SUPER MICRO CONNECTORS

SERIES

5087

プラグ エンボス(H=2.0~2.5mm) Plug Tape and Reel Package (H=2.0~2.5mm)

20~50極 20~50 CONTACTS



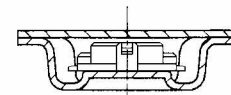
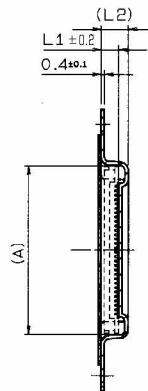
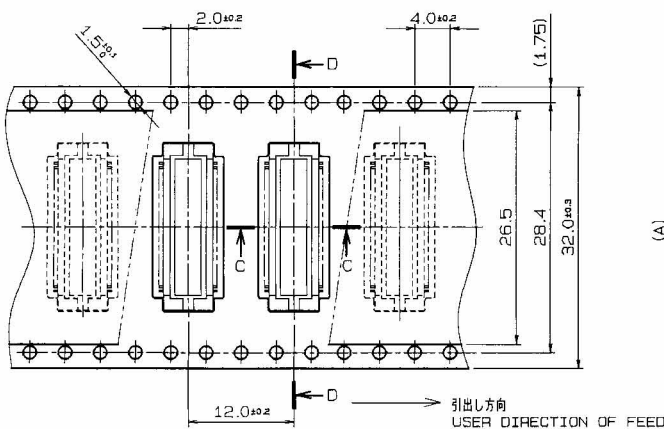
H=2.0

| 寸法表 DIMENSION | | | | | |
|---------------------|----------------------|------|----|-----|--|
| 型番 P/N | 極数 NO. OF POS. | A | L1 | L2 | |
| 14 5087 010 X20 829 | 10 | 6.6 | 2 | 3.1 | |
| ↓ | 030 | ↓ | 2 | 3.1 | |
| 14 5087 050 X20 829 | 50 | 16.6 | 2 | 3.1 | |

H=2.5

| 寸法表 DIMENSION | | | | | |
|---------------------|----------------------|------|-----|-----|--|
| 型番 P/N | 極数 NO. OF POS. | A | L1 | L2 | |
| 14 5087 030 X25 829 | 30 | 11.6 | 2.5 | 3.6 | |
| 14 5087 050 X25 829 | 50 | 16.6 | 2.5 | 3.6 | |

60極 60 CONTACTS



H=2.0

| 寸法表 DIMENSION | | | | | |
|---------------------|----------------------|------|----|-----|--|
| 型番 P/N | 極数 NO. OF POS. | A | L1 | L2 | |
| 14 5087 060 X20 829 | 60 | 19.1 | 2 | 3.1 | |

H=2.5

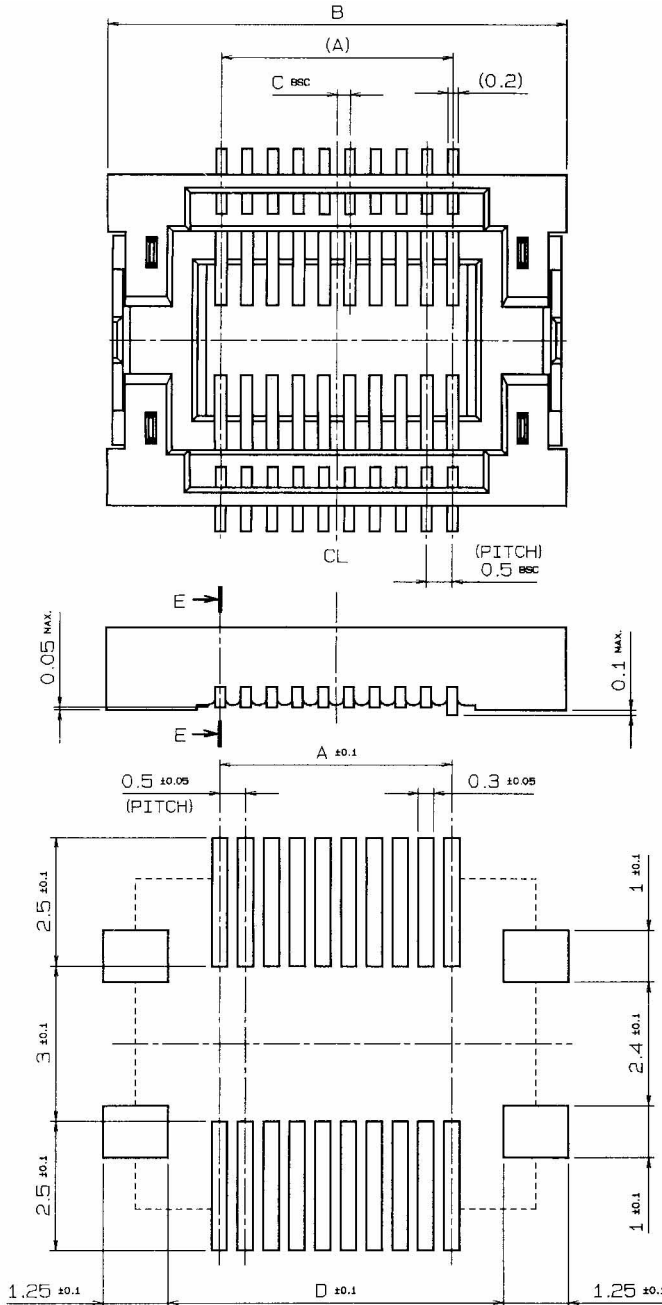
| 寸法表 DIMENSION | | | | | |
|---------------------|----------------------|------|-----|-----|--|
| 型番 P/N | 極数 NO. OF POS. | A | L1 | L2 | |
| 14 5087 060 X25 829 | 60 | 19.1 | 2.5 | 3.6 | |

SUPER MICRO CONNECTORS

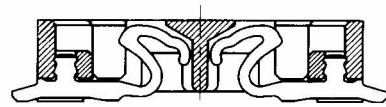
SERIES

5087

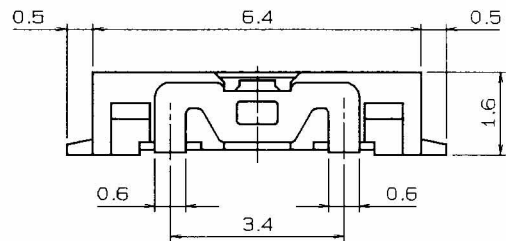
リセ(H=2.0~2.5mm)
Receptacle (H=2.0~2.5mm)



参考基板レイアウト
MOUNTING LAYOUT



SECT E-E



| 極数 NO. OF POS. | 寸法 DIMENSION | | | |
|----------------------|-----------------|------|------|------|
| | A | B | C | D |
| 10 | 2.0 | 6.4 | 0.5 | 4.3 |
| 30 | 7.0 | 11.4 | 0.5 | 9.3 |
| 50 | 12.0 | 16.4 | 0.5 | 14.3 |
| 60 | 14.5 | 18.9 | 0.25 | 16.8 |

注文コード Ordering Code

24 5087 XXX X07 829

VARIATION CODE

| 極数 NO. OF POS. | VARIATION CODE |
|-------------------|---|
| 9 | 金具付 吸着テープ付 WITH METAL, WITH VACUUM TAPE |
| 0 | 金具付 WITH METAL |
| 2 | 金具無 WITHOUT METAL |

SUPER MICRO CONNECTORS

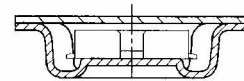
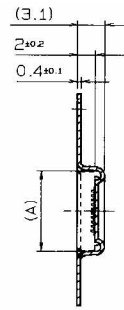
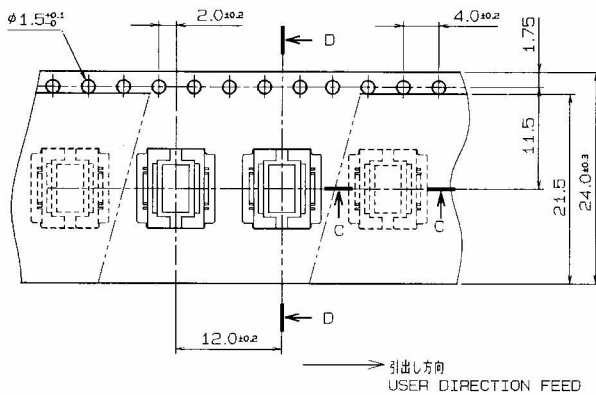
SERIES

5087

リセ エンボス(H=2.0~2.5mm)

Receptacle Tape and Reel Package (H=2.0~2.5mm)

10~50極 10~50 CONTACTS

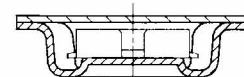
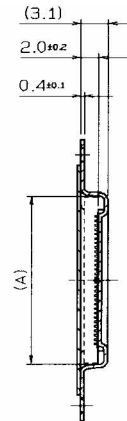
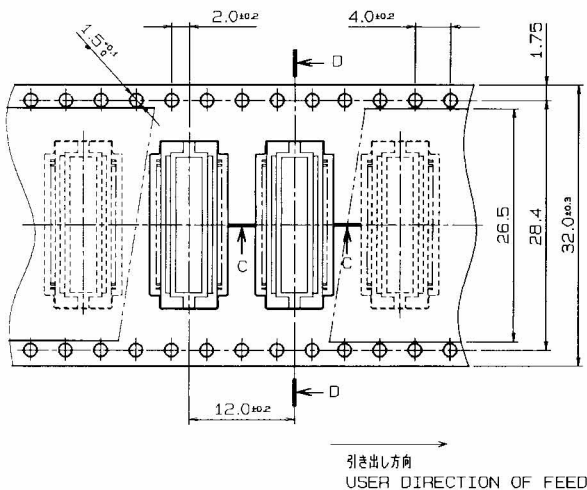


SECT. D-D

SECT. C-C

| 寸法表 DIMENSION | | |
|---------------------|----------------------|------|
| 型番 P/N | 極数 NO. OF POS. | A |
| 24 5087 010 XXX 829 | 10 | 6.6 |
| ↓ 030 ↓ | 30 | 11.6 |
| 24 5087 050 XXX 829 | 50 | 16.6 |

60極 60 CONTACTS



SECT. D-D

SECT. C-C

| 寸法表 DIMENSION | | |
|---------------------|----------------------|------|
| 型番 P/N | 極数 NO. OF POS. | A |
| 24 5087 060 XXX 829 | 60 | 19.1 |