



# 22mm Low-Cost Panel Mount LED Indicators

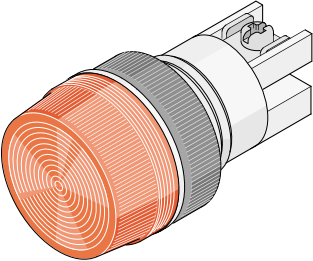
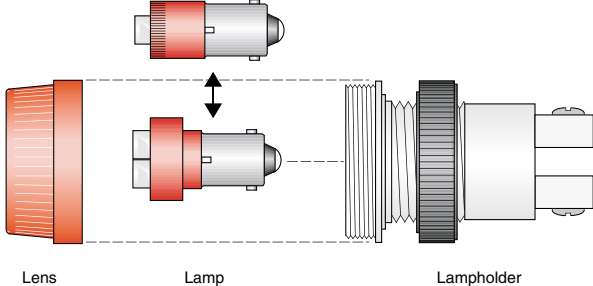
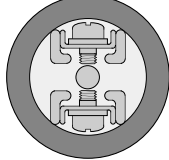
## Features

- Panel Mounting Diameter 22mm (7/8 in.)
- Low-Cost Replacement to Industry Standard 22mm Pilot Lights
- Long Life 100,000+ hrs (10 years)
- Solid-State, High Shock/Vibration Resistant
- Maintenance Free, Easy Installation
- Combination Terminals
- Low Power Consumption, High Intensity
- Major Power Savings
- Major Reduction in Heat Generation
- Built-in Current Limiting Resistor

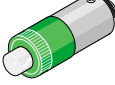
## Options

- Special Voltages/Cluster
- Sunlight-Visible Super Bright or High-Efficiency LEDs
- Bi-Colors, Tri-Colors, RGB, IR
- Splash Proof - Moisture Proof
- Non-Relampable Models Available
- Flashing / Blinking
- Diffuser (For Use with Legend Inserts)


## Complete Lamp Assembly

<p><b>Part Number Includes: Lens, Lamp &amp; Holder</b></p> <p>BS851CXF-XXV-XX (BF321 LED Lamp) BS854CXF-XXV-XX (BF304 LED Lamp)</p> 	<p><b>Assembly Diagram</b></p>  <p>Lens      Lamp      Lampholder</p>	<p><b>Combination Terminals</b> Can Accept:</p> <ul style="list-style-type: none"> <li>• 0.25" female quick connect</li> <li>• Wire clamp for bare wire (up to 12 AWG)</li> <li>• Fork lug quick connect</li> </ul>  <p>End View</p>
--	---	---

## 1 LED / Lamp Assembly (Recommended for Low, Ambient Light Conditions)

<p><b>Part Number Example</b></p> <p>BS851 CRF</p> <p><b>Series / No. of LEDs</b> BS851 = 1 LED (BF321 LED Lamp)</p>  <p>Flat Top LED for Wide Angle</p>	<p><b>Physical Characteristics</b></p> <p><b>Lens Color</b></p> <ul style="list-style-type: none"> <li>CRF = Clear Red</li> <li>CAF = Clear Amber</li> <li>CYF = Clear Yellow</li> <li>CGF = Clear Green</li> <li>CBF = Clear Blue</li> <li>CWF = Water Clear</li> </ul>	<p><b>Electrical Characteristics</b></p> <p>28V</p> <p><b>Std. Operating Voltage</b></p> <table border="1"> <thead> <tr> <th>DC</th> <th>AC</th> </tr> </thead> <tbody> <tr> <td>5/6V</td> <td>120V</td> </tr> <tr> <td>12/14V</td> <td>240V</td> </tr> <tr> <td>24/28V</td> <td></td> </tr> <tr> <td>48V</td> <td></td> </tr> <tr> <td>130V</td> <td></td> </tr> </tbody> </table>	DC	AC	5/6V	120V	12/14V	240V	24/28V		48V		130V		<p><b>Polarity</b></p> <p>BP</p> <p><b>Options</b></p> <p>BP = Bipolar (For DC Use Only)</p> <p>P = Center Contact Positive</p> <p>N = Center Contact Negative</p> <p>AC = AC Only</p>
DC	AC														
5/6V	120V														
12/14V	240V														
24/28V															
48V															
130V															

## 4 LEDs / Lamp Assembly (Recommended for Sunlight-Visible Light Conditions)

<p><b>Part Number Example</b></p> <p>BS854 CRF</p> <p><b>Series / No. of LEDs</b> BS854 = 4 LEDs (BF304 LED Lamp)</p>  <p>Flat Top LED for Wide Angle</p>	<p><b>Physical Characteristics</b></p> <p><b>Lens Color</b></p> <ul style="list-style-type: none"> <li>CRF = Clear Red</li> <li>CAF = Clear Amber</li> <li>CYF = Clear Yellow</li> <li>CGF = Clear Green</li> <li>CBF = Clear Blue</li> <li>CWF = Water Clear</li> </ul>	<p><b>Electrical Characteristics</b></p> <p>28V</p> <p><b>Std. Operating Voltage</b></p> <table border="1"> <thead> <tr> <th>DC</th> <th>AC</th> </tr> </thead> <tbody> <tr> <td>5/6V</td> <td>120V</td> </tr> <tr> <td>12/14V</td> <td>240V</td> </tr> <tr> <td>24/28V</td> <td></td> </tr> <tr> <td>48V</td> <td></td> </tr> <tr> <td>130V</td> <td></td> </tr> </tbody> </table>	DC	AC	5/6V	120V	12/14V	240V	24/28V		48V		130V		<p><b>Polarity</b></p> <p>BP</p> <p><b>Options</b></p> <p>BP = Bipolar (For DC Use Only)</p> <p>P = Center Contact Positive</p> <p>N = Center Contact Negative</p> <p>AC = AC Only</p>
DC	AC														
5/6V	120V														
12/14V	240V														
24/28V															
48V															
130V															

- Notes:**
1. Contact local representative to determine best style for each application
  2. Not all possible combinations of color, voltage and polarity are available

Log # 091A Rev 12-99