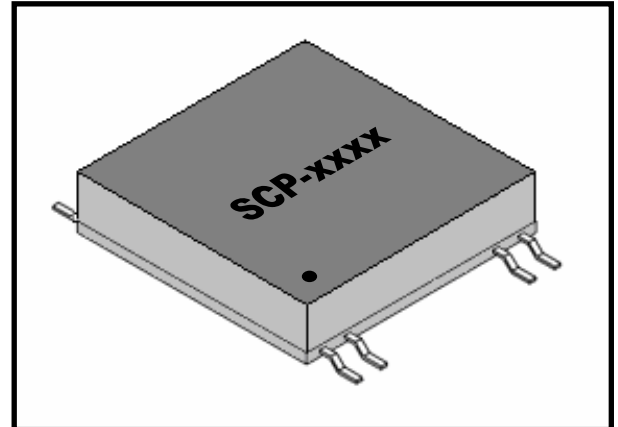


SCP-6212/ SCP-6212ADJ 1.25A EFFICIENT SOLENOID DRIVER

FEATURES

- Input voltage range 21V – 40V (12V – 40V for SCP-6212ADJ)
- 1.25A drive capability
- At $V_{in} = 28V$, $I_{load} = 1.25A$
 - $V_{out} = 28V$ nominal for 1.2 seconds upon command
 - $V_{out} = 15V$ nominal after 1.2 seconds
- Adjustable time delay and hold voltage (SCP-6212ADJ)
- Integrated catch diode for inductive kickback
- 0V – 5V on/off control
- PWM operating frequency 2.2MHz
- Short circuit protection
- Low-profile surface mount package



device behaves as a traditional high-side driver, passing the input voltage to the output terminals. After the solenoid has engaged, plus some time margin, the delivered current is reduced by switching the output from the pass element to a dc-dc converter to fix the output at 15V, or to another adjustable voltage on the SCP-6212ADJ. The driver is controlled by a 5V signal. A block diagram is shown in Figure 1. Short-circuit protection is employed for each of the two operating states. Delay-time to DC-DC operation and DC-DC output voltage on the SCP-6212ADJ are programmed with external resistors, shown in Figure 4.

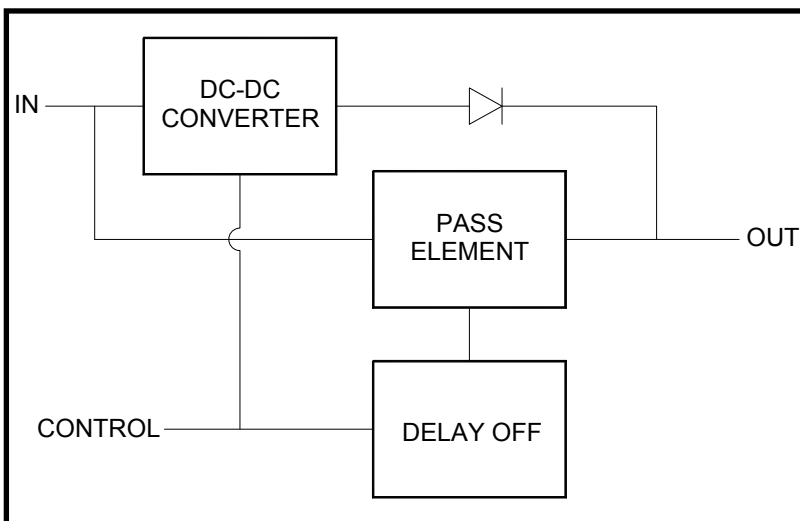


Figure 1. Block diagram

ABSOLUTE MAXIMUM RATINGS

V_{in}	40V
V_{cmd}	-0.2V to 12V
Output Current (drive)	1.25A
Output Current (hold)	0.5A
Storage and Operating Temperature	-40°C to 85°C

ELECTRICAL CHARACTERISTICS

$T_A = 25^{\circ}\text{C}$ unless otherwise specified.

PARAMETER	CONDITIONS	MIN.	TYP.	MAX.	UNITS
turn-on threshold		1.3	1.8	2.3	V
turn-off threshold		1.4	1.9	2.4	V
driving current voltage drop ($V_{in} - V_{out}$)	$I_{out} = 0.25\text{A}$		0.25	0.40	V
	$I_{out} = 0.50\text{A}$		0.45	0.60	V
	$I_{out} = 1.25\text{A}$		0.85	1.00	V
time delay to hold-current mode	$V_{CMD} = 5.0\text{V}$	1.0	1.2	1.4	s
efficiency in hold-current mode	$I_{out} = 0.25\text{A}$	85	89		%
PWM frequency ¹			2.2		MHz

¹ PWM frequency is provided for information only, for the purpose of general electromagnetic interference consideration. The output is a smooth DC voltage in both driving and holding modes.

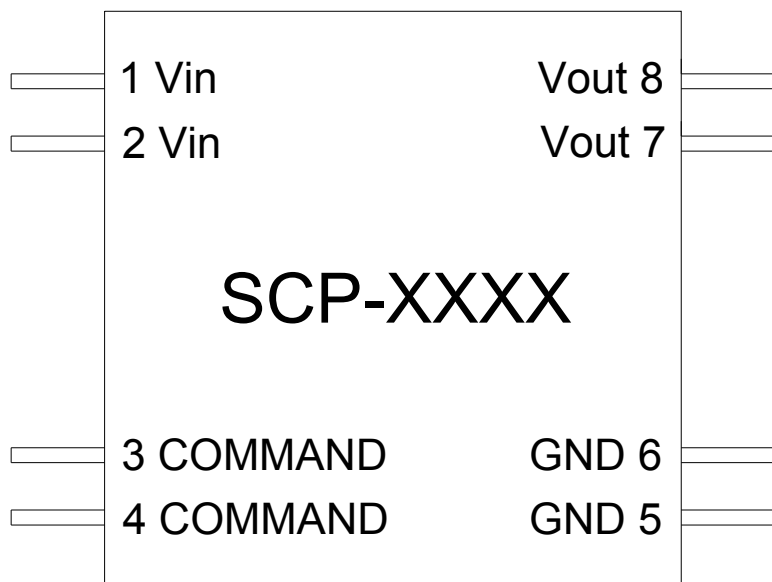


Figure 2. SCP-6212 pinout

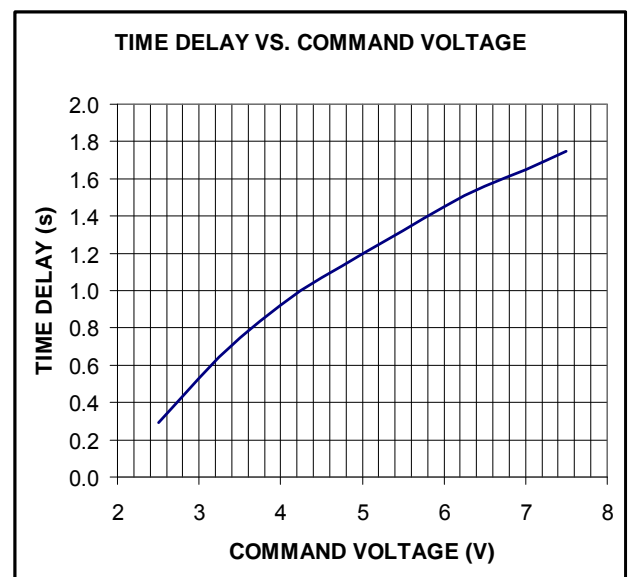


Figure 3.

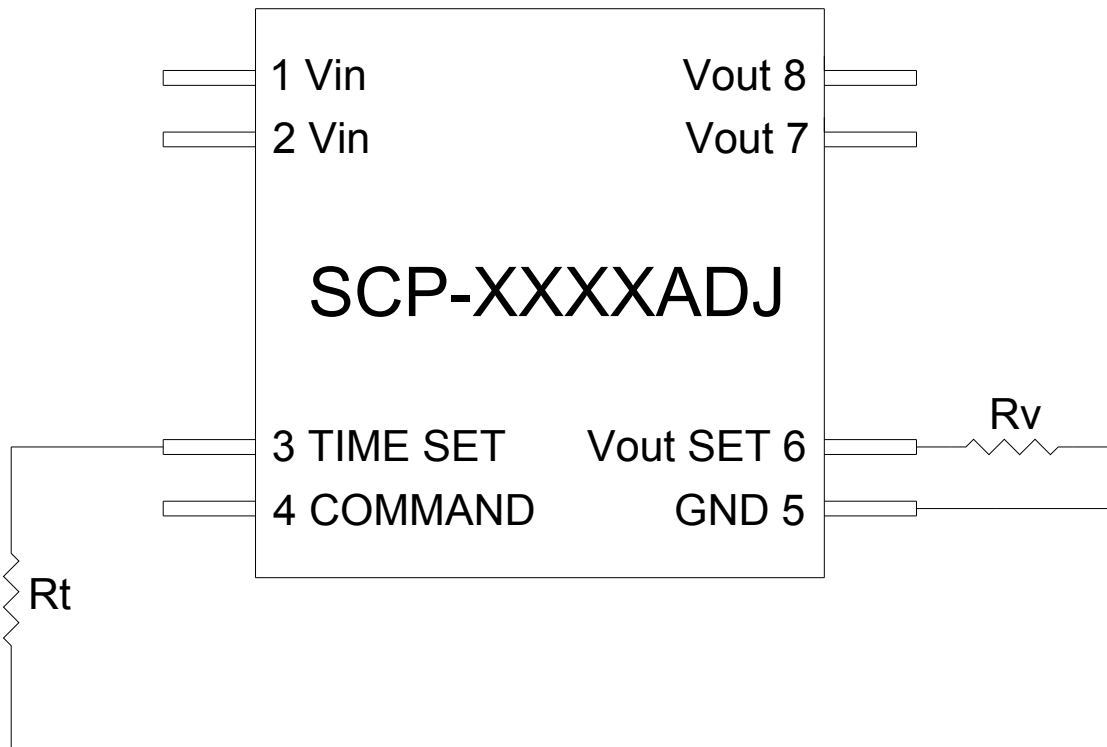


Figure 4. SCP-6212ADJ pinout and external program resistors

Resistor selection R_t for time delay from command signal to output voltage reduction is made by setting $R_t \approx 6667t$, where t is time in seconds. Resistor selection R_v for output voltage selection is made by $R_v \approx 144000/(V_{out}-0.49)$.

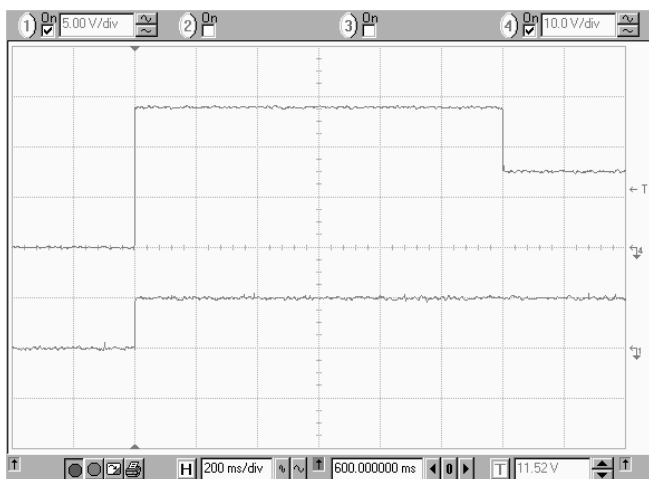


Figure 5. Turn-on, showing 28V to 15V transition.

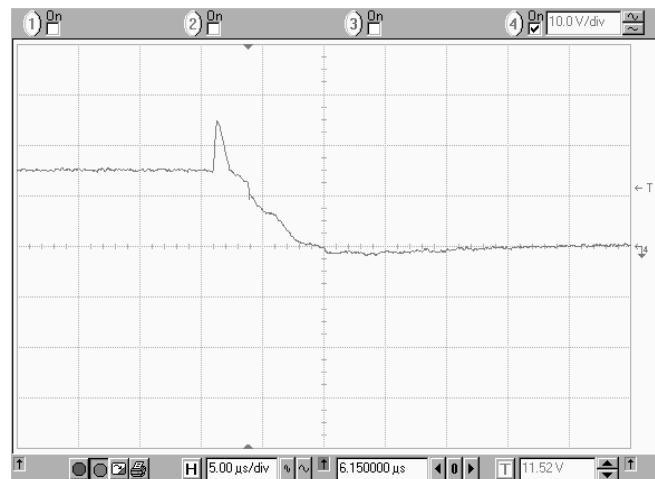


Figure 6. Output under short-circuit conditions.

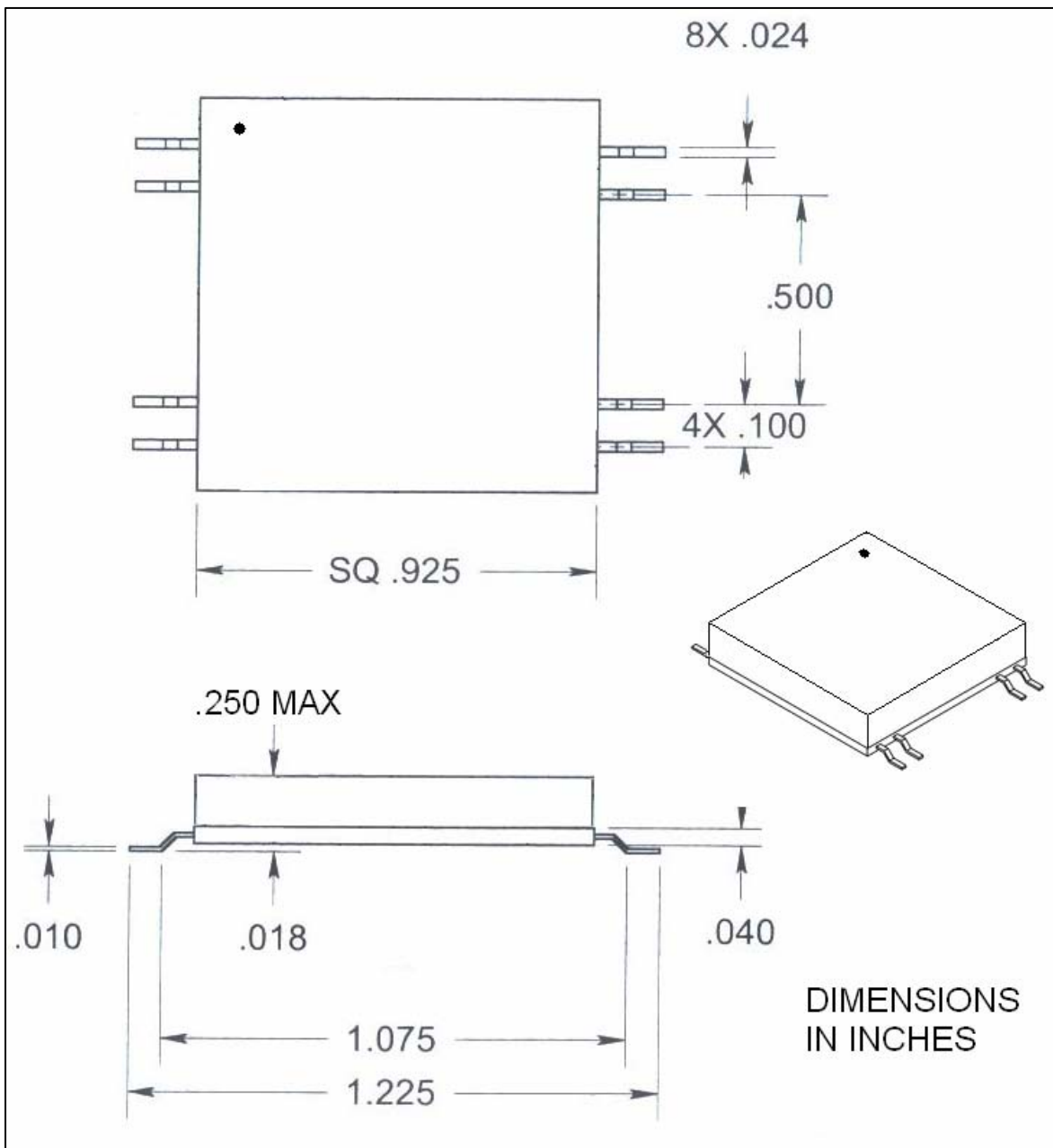


Figure 7. Mechanical outline

DATASHEET SCP-6212 Preliminary

DISCLAIMER:

1- The information given herein, including the specifications and dimensions, is subject to change without prior notice to improve product characteristics. Before ordering, purchasers are advised to contact the Sensitron Semiconductor sales department for the latest version of the datasheet(s).

2- In cases where extremely high reliability is required (such as use in nuclear power control, aerospace and aviation, traffic equipment, medical equipment, and safety equipment), safety should be ensured by using semiconductor devices that feature assured safety or by means of users' fail-safe precautions or other arrangement.

3- In no event shall Sensitron Semiconductor be liable for any damages that may result from an accident or any other cause during operation of the user's units according to the datasheet(s). Sensitron Semiconductor assumes no responsibility for any intellectual property claims or any other problems that may result from applications of information, products or circuits described in the datasheets.

4- In no event shall Sensitron Semiconductor be liable for any failure in a semiconductor device or any secondary damage resulting from use at a value exceeding the absolute maximum rating.

5- No license is granted by the datasheet(s) under any patents or other rights of any third party or Sensitron Semiconductor.

6- The datasheet(s) may not be reproduced or duplicated, in any form, in whole or part, without the expressed written permission of Sensitron Semiconductor.

7- The products (technologies) described in the datasheet(s) are not to be provided to any party whose purpose in their application will hinder maintenance of international peace and safety nor are they to be applied to that purpose by their direct purchasers or any third party. When exporting these products (technologies), the necessary procedures are to be taken in accordance with related laws and regulations.