



Frontier Electronics Corp.

667 E. COCHRAN STREET, SIMI VALLEY, CA 93065

TEL: (805) 522-9998

FAX: (805) 522-9989

E-mail: frontiersales@frontierusa.com

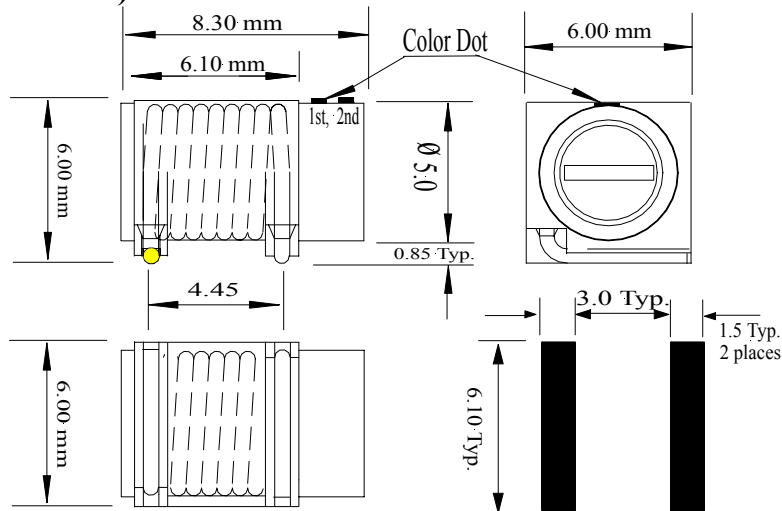
Web: frontierusa.com

SMD Tunable Hi-Q RF Inductors—6YN-Series

A. Electrical specification:

P/N	L Min. (nH)	L Nom. (nH)	L Max. (nH)	Test Freq. (MHz)	Q (Min.) @L max.	SRF Min. (MHz)	DCR (mΩ Max.)	Color Code	
								1st	2nd
6YN-01	21	22.5	24	50	120	1150	5.0	Black	Brown
6YN-02	42	45	48	50	115	1100	7.0	Black	Red
6YN-03	68	74	80	25.2	110	900	8.5	Black	Orange
6YN-04	108	121	146	25.2	98	750	10.0	Black	Yellow
6YN-05	124	151	178	25.2	93	550	12.0	Black	Green
6YN-06	230	285	340	25.2	78	450	13.5	Black	Blue
6YN-07	248	300	352	25.2	75	400	16.0	Black	Violet
6YN-08	270	335	400	25.2	70	325	17.0	Black	Gray
6YN-09	325	400	485	25.2	65	325	18.0	Black	Black
6YN-11	18	20	22	50	105	1500	5.0	Brown	Brown
6YN-12	35	39	43	50	100	1125	7.0	Brown	Red
6YN-13	54	61	68	25.2	120	900	8.5	Brown	Orange
6YN-14	75	88	101	25.2	120	675	10.0	Brown	Yellow
6YN-15	98	126	154	25.2	120	525	12.0	Brown	Green
6YN-16	140	175	200	25.2	115	475	13.5	Brown	Blue
6YN-17	165	215	265	25.2	88	375	16.0	Brown	Violet
6YN-18	220	285	350	25.2	80	325	17.0	Brown	Gray
6YN-19	260	345	430	25.2	80	300	18.0	Brown	Black

B. Mechanical dimensions: (Unit: mm)



C. General Information:

1. Excellent temperature coefficient for 6YN-11 to 6YN-19.
2. Special selected two core materials produce Hi-Q performance.
3. For high frequency operation up to 1.0 GHz.
4. SMT tunable inductors with flattop for pick & place.
5. L measured with HP 4291B meter and HP-16193A fixture.
6. L Min. measured with core two turns inside the form.
7. Operating temperature: -25°C to +125°C.
8. Storage temperature: -40°C to +125°C.
9. Q measured @ L max value using HP4191A with HP16092A test fixture.
10. SRF measured without core using Scalar Analyzer.

D. RoHS compliant.

Pad layout