

**PLEASE CHECK WWW.MOLEX.COM FOR LATEST PART INFORMATION**

**Part Number:** [0351800604](#)  
**Status:** **Active**  
**Description:** 1.78mm (.070") Tab Multiple Wire-to-Wire Male Housing With Ear, 6 Circuits, Vertical, Polyester UL94V-0, Blue

**Documents:**

[Drawing \(PDF\)](#) [Product Specification PS-35180-003 \(PDF\)](#)  
[Product Specification PS-35180-002 \(PDF\)](#) [RoHS Certificate of Compliance \(PDF\)](#)

**Agency Certification**

CSA LR19980  
 UL E29179

**General**

Product Family Crimp Housings  
 Series [35180](#)  
 Comments Polarized to Mating Part  
 Product Name N/A

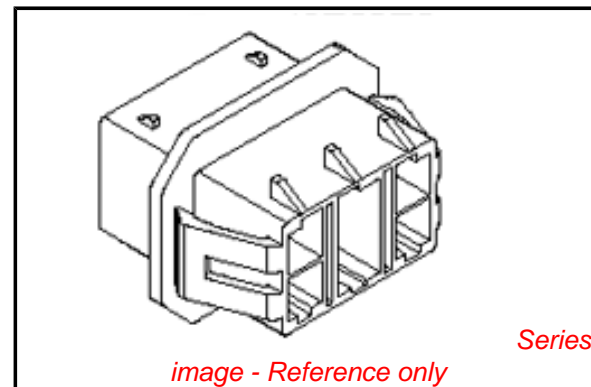
**Physical**

Breakaway No  
 Circuits (maximum) 6  
 Color - Resin Blue  
 Flammability 94V-0  
 Gender Male  
 Glow-Wire Compliant No  
 Keying to Mating Part None  
 Lock to Mating Part Yes  
 Material - Resin Polyester  
 Number of Rows 2  
 Packaging Type Bag  
 Panel Mount Yes  
 Pitch - Mating Interface (in) 0.315 In, 0.335 In  
 Pitch - Mating Interface (mm) 8.00 mm, 8.50 mm  
 Stackable No  
 Temperature Range - Operating -40°C to +120°C

**Material Info**

**Reference - Drawing Numbers**

Product Specification PS-35180-002, PS-35180-003  
 Sales Drawing SD-35180-060\*



**EU RoHS**

**ELV and RoHS Compliant**  
**REACH SVHC**  
 Not Reviewed  
**Halogen-Free Status**  
**Not Reviewed**

**China RoHS**



**Need more information on product environmental compliance?**

Email [productcompliance@molex.com](mailto:productcompliance@molex.com)  
 For a multiple part number RoHS Certificate of Compliance, [click here](#)

Please visit the [Contact Us](#) section for any non-product compliance questions.

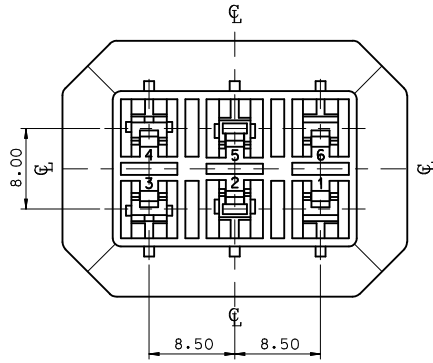
**Search Parts in this Series**

[35180Series](#)

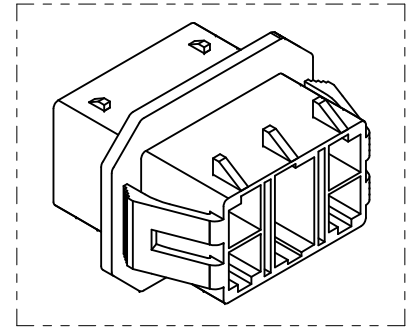
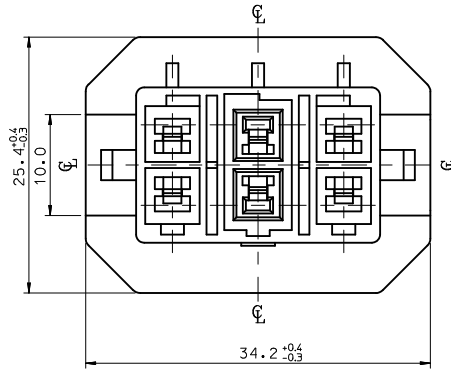
**Mates With**

**Use With**

Crimp Terminal [35745](#) , [35746](#) , [35747](#) .  
[35182039\\*](#) TPA™

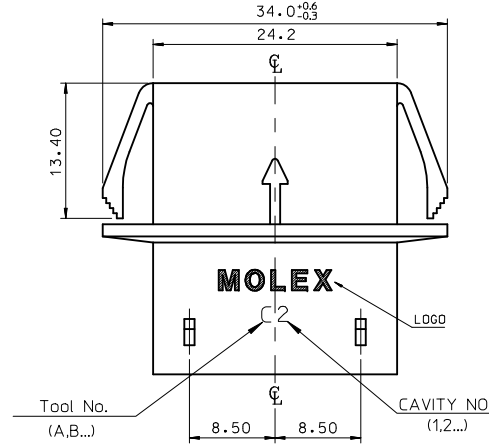
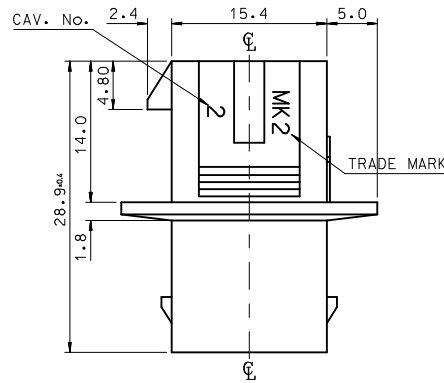


VIEW "A"

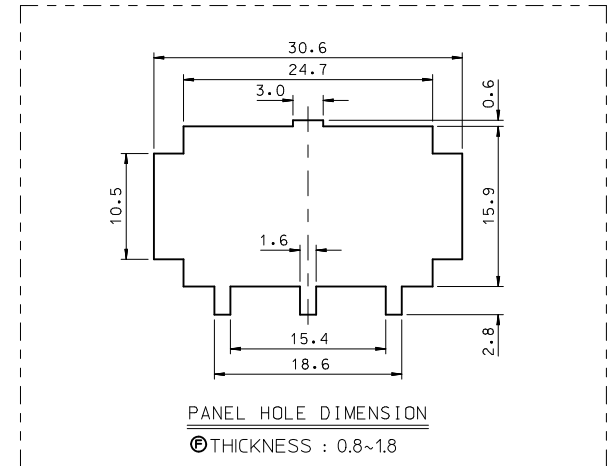


NOTES.

1. MATERIAL & COLOR : SEE TABLE
2. MATED HOUSING : 35181-020\*  
35181-021\*  
35181-022\*
3. APPLICABLE TERMINAL : 35745-0\*10 (3,4 CIRCUIT)  
35746-0\*10 (2,5 CIRCUIT)  
35747-0\*10 (1,6 CIRCUIT)
4. APPLICABLE T.P.A : 35182-039\*
5. PRODUCT SPECIFICATION : PS-35180-002



VIEW "A"



NO	PRODUCT		MATERIAL
	PART NO	COLOR	DESCRIPTION
1	35180-0600	NATURAL	POLYESTER (PBT) (UL94V-0)
2	35180-0604	BLUE	
3	35180-0609	NATURAL	PC/PET (UL94V-0)
4	35180-2609	RED	
5	35180-3609	YELLOW	
6	35180-4609	BLUE	

REVISED  
 EC NO: KOR2010-0092  
 T DRWN: JHPARK01 2010/01/14  
 CHKD: WY. YANG 2010/01/14  
 APPR: YUNSIKIM 2010/01/14

QUALITY SYMBOLS  
 ▽=0  
 ◻=0

GENERAL TOLERANCES (UNLESS SPECIFIED)

	mm	INCH
4 PLACES	± ---	± ---
3 PLACES	± ---	± ---
2 PLACES	± 0.3	± ---
1 PLACE	± 0.3	± ---
ANGULAR ± 3 °		

DRAFT WHERE APPLICABLE MUST REMAIN WITHIN DIMENSIONS

DIMENSION STYLE  
**MM ONLY**

DRAWN BY: JS.KANG  
 DATE: 1995/09/28

CHECKED BY: BK.CHOI  
 DATE: 1995/09/28

APPROVED BY: CW.LEE  
 DATE: 1995/09/28

MATERIAL NO. ENTER PART

SIZE: A3

SCALE: 1:1

DESIGN UNITS: METRIC

THIRD ANGLE PROJECTION

TITLE: .070 MULTI W/W CONN MALE HSG-6P

MOLEX INCORPORATED

DOCUMENT NO. SD-35180-060\*

SHEET NO. 1 OF 00

THIS DRAWING CONTAINS INFORMATION THAT IS PROPRIETARY TO MOLEX INCORPORATED AND SHOULD NOT BE USED WITHOUT WRITTEN PERMISSION