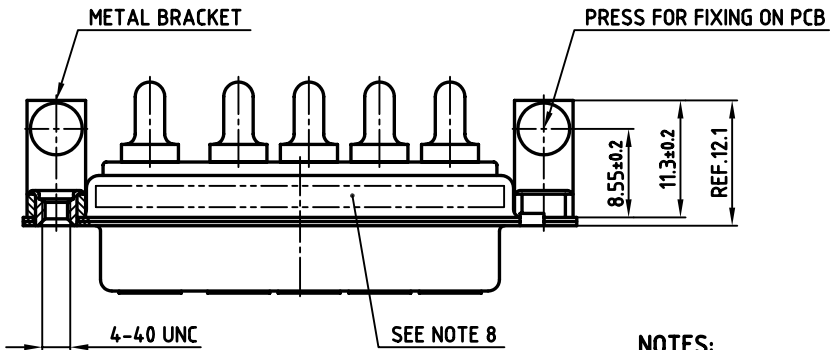
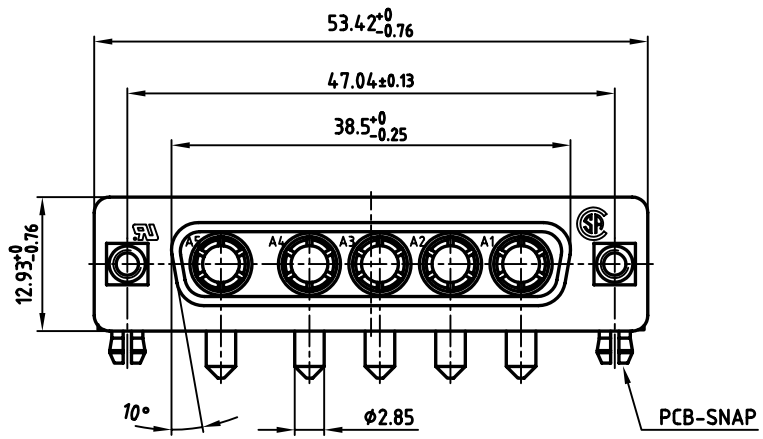
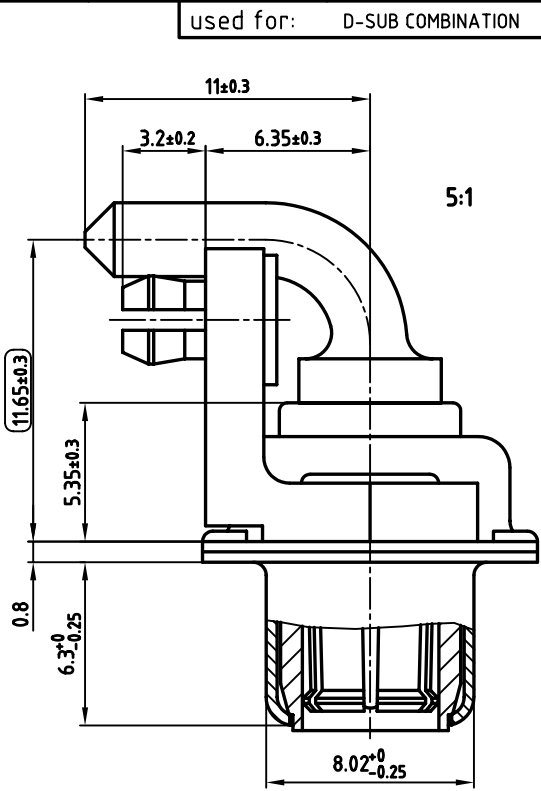


P.C.B. HOLE DRILLINGS



NOTES:

- METALSHELLS: STEEL; min. 320μ " TIN
- INSULATORS: PBT GF UL 94 V-0, GREEN
- HIGH POWER CONTACTS 20A: COPPER ALLOY
PLATING: 30μ " HARD GOLD OVER min. 50μ " NICKEL
- METAL BRACKET: DIE-CASTING; min. 320μ " TIN over 80μ " NICKEL
- THREADED INSERT: COPPER ALLOY; min. 200μ " TIN over 80μ " NICKEL
- PCB-SNAP: COPPER ALLOY; min. 200μ " TIN over 80μ " NICKEL
PCB-HOLE: $\phi 3.1 \pm 0.1$; PCB THICKNESS 1.6mm
- MAXIMUM TORQUE VALUE FOR THREAD: 6" LBS
- CONNECTOR IS PART MARKED: 3005W5SXX56N40X CONEC ABC
- = CHECK DIMENSION

Directive 2002/95/EC
RoHS
Compliant

APPROVAL * FREIGABE * DEBLOCAGE * AUTORIZACION * APPROVAL

CUSTOMER APPROVAL DATE:

NAME: TITLE:

COMPANY NAME:

APPROVAL * FREIGABE * DEBLOCAGE * AUTORIZACION * APPROVAL

THIS DRAWING MAY NOT BE COPIED OR REPRODUCED IN ANY WAY, AND MAY NOT BE PASSED ON TO A THIRD PARTY, WITHOUT WRITTEN PERMISSION. OWNERSHIP AND COPYRIGHT OF CONEC GmbH DO NOT ALTER CAD DRAWING BY HAND

rev.	description	date	name
a	Origin		

tolerance		scale:	2:1 (5:1)
	dim. in mm	material:	SEE NOTES
2006	date	name	title:
drawn	08.02.	Lehmenkühler	D-SUB COMBINATION FEMALE 90°
appd.	08.02.	Mickenbecker	5W5S
norm			with threaded insert, metal bracket and clip
d-old			dwg no: AutoCAD 2004 DIN-A
CONEC			13K1A1709
			part no: 3005W5SXX56N40X

dwg no: AutoCAD 2004 DIN-A

13K1A1709

part no: 3005W5SXX56N40X

3 sh: 1/1