

# 15 Output PCIe G2/QPI Differential Buffer with 2:1 Input Mux

9EX21501A

## Description

The **ICS9EX21501** provides 15 output clocks for PCIe Gen2 (100MHz) or QPI (133MHz) applications. A differential CPU clock from a CK410B+ main clock generator, such as the ICS932S421, drives the **ICS9EX21501**. In fanout mode, the **ICS9EX21501** provides outputs up to 400MHz. A 2:1 input mux allows selection between local and remote clock sources.

## Recommended Application:

15 Output PCIe G2/QPI Differential Buffer with 2:1 input mux

## Key Specifications:

- DIF output cycle-to-cycle jitter < 50ps
- DIF output-to-output skew < 150 ps
- PCIe Gen2 compliant phase jitter
- QPI 6.4Gb/s 12UI compliant phase jitter

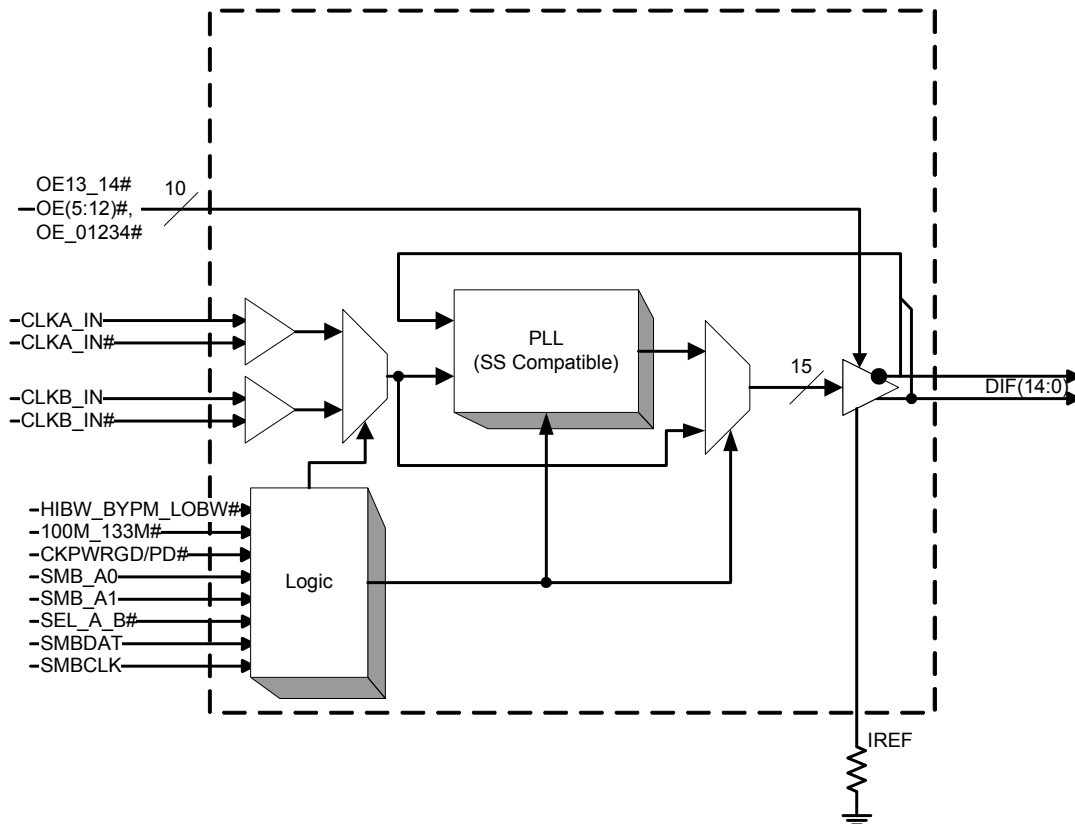
## Features/Benefits:

- Output clock frequencies up to 400 MHz/supports wide range of applications
- 4 Selectable SMBus addresses/multiple devices can share SMBus segment
- SMBus address independent of PLL operating mode/maximum flexibility
- Dedicated CKPWRGD/PD# and VDDA pins/Easy board design
- 8 Dedicated OE# and 2 Group OE# pins/Support for hardware clock management

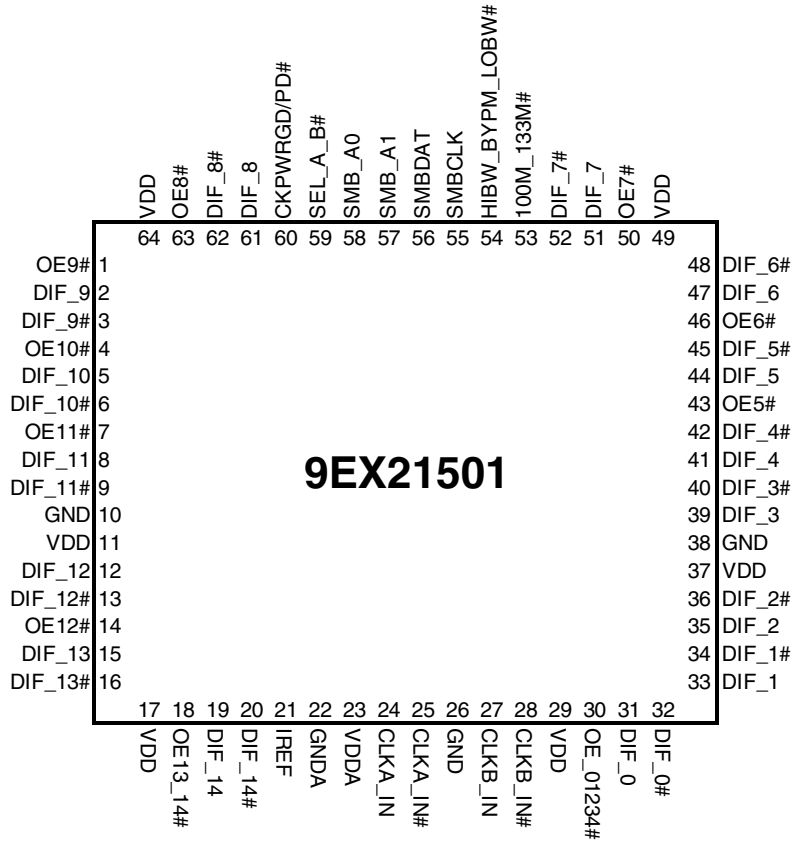
## Output Features:

- 15 - 0.7V current-mode differential HCSL output pairs
- Supports zero delay buffer mode and fanout mode
- Selectable PLL bandwidth
- 80-150 MHz in PLL Mode
- 33-400 MHz operation in Bypass mode

## Functional Block Diagram



Pin Configuration



9EX21501

64-pin MLF

Frequency/Functionality Table

Byte 0, bit 2 (100_133M# Latch)	Byte 0, bit 1 FSB	Byte 0, bit 0 FSA	Input MHz	DIF_x MHz	Notes
1	0	1	100.00	100.00	1
0	0	1	133.33	133.33	1
0	1	1	166.67	166.67	2
0	1	0	200.00	200.00	2
0	0	0	266.67	266.67	2
1	0	0	333.33	333.33	2
1	1	0	400.00	400.00	2
1	1	1	Reserved		

Notes:100M\_133M#

- Latch selects between 100 and 133 MHz. This is equivalent to FSC in CK410B+/CK509B FS table.
- Writing Byte 2 bits (2:0) can select other frequencies. These frequencies are not characterized in PLL Mode

HIBW\_BYPM\_LOBW# Selection (Pin 54)

State	Voltage	Mode
Low	<0.8V	Low BW
Mid	1.2<Vin<1.8V	Bypass
High	Vin > 2.0V	High BW

Power Groups

Pin Number		Description
VDD	GND	
23	22	Main PLL, Analog
29	26	Input buffers
11,17,37,49, 64	10, 38	DIF clocks

Power Down Functionality

INPUTS		OUTPUTS	PLL State
CKPWRGD/PD#	Input	DIF_x	
1	Running	Running	ON
0	X	Hi-Z	OFF

SMBus Address Selection (pins 57, 58)

SMB_A1	SMB_A0	Address
0	0	D4
0	1	D6
1	0	D8
1	1	DA

## Pin Description

PIN #	PIN NAME	TYPE	DESCRIPTION
1	OE9#	IN	Active low input for enabling DIF pair 9. 1 = tri-state outputs, 0 = enable outputs
2	DIF_9	OUT	0.7V differential true clock output
	DIF_9#	OUT	0.7V differential complement clock output
4	OE10#	IN	Active low input for enabling DIF pair 10. 1 = tri-state outputs, 0 = enable outputs
5	DIF_10	OUT	0.7V differential true clock output
6	DIF_10#	OUT	0.7V differential complement clock output
7	OE11#	IN	Active low input for enabling DIF pair 11. 1 = tri-state outputs, 0 = enable outputs
8	DIF_11	OUT	0.7V differential true clock output
9	DIF_11#	OUT	0.7V differential complement clock output
10	GND	PWR	Ground pin.
11	VDD	PWR	Power supply, nominal 3.3V
12	DIF_12	OUT	0.7V differential true clock output
13	DIF_12#	OUT	0.7V differential complement clock output
14	OE12#	IN	Active low input for enabling DIF pair 12. 1 = tri-state outputs, 0 = enable outputs
15	DIF_13	OUT	0.7V differential true clock output
16	DIF_13#	OUT	0.7V differential complement clock output
17	VDD	PWR	Power supply, nominal 3.3V
18	OE13_14#	IN	Active low input for enabling DIF pairs 13 and 14. 1 = tri-state outputs, 0 = enable outputs
19	DIF_14	OUT	0.7V differential true clock output
20	DIF_14#	OUT	0.7V differential complement clock output
21	IREF	OUT	This pin establishes the reference current for the differential current-mode output pairs. This pin requires a fixed precision resistor tied to ground in order to establish the appropriate current. 475 ohms is the standard value.
22	GND	PWR	Ground pin for the PLL core.
23	VDDA	PWR	3.3V power for the PLL core.
24	CLKA_IN	IN	True Input for differential reference clock.
25	CLKA_IN#	IN	Complement Input for differential reference clock.
26	GND	PWR	Ground pin.
27	CLKB_IN	IN	True Input for differential reference clock.
28	CLKB_IN#	IN	Complement Input for differential reference clock.
29	VDD	PWR	Power supply, nominal 3.3V
30	OE_01234#	IN	Active low input for enabling DIF pairs 0, 1, 2, 3 and 4. 1 = tri-state outputs, 0 = enable outputs
31	DIF_0	OUT	0.7V differential true clock output
32	DIF_0#	OUT	0.7V differential complement clock output
33	DIF_1	OUT	0.7V differential true clock output
34	DIF_1#	OUT	0.7V differential complement clock output
35	DIF_2	OUT	0.7V differential true clock output
36	DIF_2#	OUT	0.7V differential complement clock output
37	VDD	PWR	Power supply, nominal 3.3V
38	GND	PWR	Ground pin.
39	DIF_3	OUT	0.7V differential true clock output
40	DIF_3#	OUT	0.7V differential complement clock output

Pin Description (continued)

41	DIF_4	OUT	0.7V differential true clock output
42	DIF_4#	OUT	0.7V differential complement clock output
43	OE5#	IN	Active low input for enabling DIF pair 5. 1 = tri-state outputs, 0 = enable outputs
44	DIF_5	OUT	0.7V differential true clock output
45	DIF_5#	OUT	0.7V differential complement clock output
46	OE6#	IN	Active low input for enabling DIF pair 6. 1 = tri-state outputs, 0 = enable outputs
47	DIF_6	OUT	0.7V differential true clock output
48	DIF_6#	OUT	0.7V differential complement clock output
49	VDD	PWR	Power supply, nominal 3.3V
50	OE7#	IN	Active low input for enabling DIF pair 7. 1 = tri-state outputs, 0 = enable outputs
51	DIF_7	OUT	0.7V differential true clock output
52	DIF_7#	OUT	0.7V differential complement clock output
53	100M_133M#	IN	Input to select operating frequency. See Frequency/Functionality Table for functionality of this pin.
54	HIBW_BYPM_LOBW#	IN	Trilevel input to select High BW, Bypass Mode or Low BW. 0 = Low BW Mode, Mid= Bypass Mode, 1 = High Bandwidth
55	SMBCLK	IN	Clock pin of SMBUS circuitry, 5V tolerant
56	SMBDAT	I/O	Data pin of SMBUS circuitry, 5V tolerant
57	SMB_A1	IN	SMBus address bit 1
58	SMB_A0	IN	SMBus address bit 0 (LSB)
59	SEL_A_B#	IN	Input to select differential input clock A or differential input clock B. 0 = Input B selected, 1 = Input A selected.
60	CKPWRGD/PD#	IN	Notifies the clock to sample latched inputs on the rising edge, and to power down on the falling edge.
61	DIF_8	OUT	0.7V differential true clock output
62	DIF_8#	OUT	0.7V differential complement clock output
63	OE8#	IN	Active low input for enabling DIF pair 8. 1 = tri-state outputs, 0 = enable outputs
64	VDD	PWR	Power supply, nominal 3.3V

**Electrical Characteristics - Absolute Maximum Ratings**

PARAMETER	SYMBOL	CONDITIONS	MIN	TYP	MAX	UNITS	NOTES
3.3V Core Supply Voltage	VDDA				4.6	V	1,2
3.3V Logic Supply Voltage	VDD				4.6	V	1,2
Input Low Voltage	V <sub>IL</sub>		GND-0.5			V	1
Input High Voltage	V <sub>IH</sub>	Except for SMBus interface			V <sub>DD</sub> +0.5V	V	1
Input High Voltage	V <sub>IHSMB</sub>	SMBus clock and data pins			5.5V	V	1
Storage Temperature	T <sub>s</sub>		-65		150	°C	1
Junction Temperature	T <sub>j</sub>				125	°C	1
Input ESD protection	ESD prot	Human Body Model	2000			V	1

<sup>1</sup>Guaranteed by design and characterization, not 100% tested in production.

<sup>2</sup>Operation under these conditions is neither implied nor guaranteed.

**Electrical Characteristics - Clock Input Parameters**

TA = T<sub>COM</sub> or T<sub>IND</sub>; Supply Voltage VDD/VDDA = 3.3 V +/-5%, See Test Loads for Loading Conditions

PARAMETER	SYMBOL	CONDITIONS	MIN	TYP	MAX	UNITS	NOTES
Input High Voltage - DIF_IN	V <sub>IHDIF</sub>	Differential inputs (single-ended measurement)	600	800	1150	mV	1
Input Low Voltage - DIF_IN	V <sub>ILDIF</sub>	Differential inputs (single-ended measurement)	V <sub>SS</sub> - 300	0	300	mV	1
Input Common Mode Voltage - DIF_IN	V <sub>COM</sub>	Common Mode Input Voltage	300	400	1000	mV	1
Input Amplitude - DIF_IN	V <sub>SWING</sub>	Peak to Peak value	300	750	1450	mV	1
Input Slew Rate - DIF_IN	dv/dt	Measured differentially	0.4	2	8	V/ns	1,2
Input Leakage Current	I <sub>IN</sub>	V <sub>IN</sub> = V <sub>DD</sub> , V <sub>IN</sub> = GND	-5		5	uA	1
Input Duty Cycle	d <sub>tin</sub>	Measurement from differential waveform	45	50	55	%	1
Input Jitter - Cycle to Cycle	J <sub>DIFIn</sub>	Differential Measurement	0	50	125	ps	1

<sup>1</sup>Guaranteed by design and characterization, not 100% tested in production.

<sup>2</sup>Slew rate measured through +/-75mV window centered around differential zero

**Electrical Characteristics - Phase Jitter Parameters**

TA = T<sub>COM</sub> or T<sub>IND</sub>; Supply Voltage VDD/VDDA = 3.3 V +/-5%, See Test Loads for Loading Conditions

PARAMETER	SYMBOL	CONDITIONS	MIN	TYP	MAX	UNITS	Notes
Phase Jitter, PLL Mode	t <sub>jphPCleG1</sub>	PCIe Gen 1		32/42	86	ps (p-p)	1,2,3,4
	t <sub>jphPCleG2</sub>	PCIe Gen 2 Lo Band 10kHz < f < 1.5MHz		1.2/1.5	3	ps (rms)	1,2,4
		PCIe Gen 2 High Band 1.5MHz < f < Nyquist (50MHz)		2.1/2.7	3.1	ps (rms)	1,2,4
	t <sub>jphQPI</sub>	QPI (133MHz, 4.8Gb/s, 6.4Gb/s 12UI)		0.25/0.28	0.5	ps (rms)	1,4,5
Additive Phase Jitter, Bypass mode	t <sub>jphPCleG1</sub>	PCIe Gen 1		2	10	ps (p-p)	1,2,3
	t <sub>jphPCleG2</sub>	PCIe Gen 2 Lo Band 10kHz < f < 1.5MHz		0.0	0.3	ps (rms)	1,2,6
		PCIe Gen 2 High Band 1.5MHz < f < Nyquist (50MHz)		0.30	0.5	ps (rms)	1,2,6
	t <sub>jphQPI</sub>	QPI (133MHz, 4.8Gb/s, 6.4Gb/s 12UI)		0.25	0.4	ps (rms)	1,5,6

<sup>1</sup>Applies to all outputs. Device driven by IDT CK410B+ (932S421CGLF) or equivalent

<sup>2</sup>See <http://www.pcisiq.com> for complete specs

<sup>3</sup>Sample size of at least 100K cycles. This figures extrapolates to 108ps pk-pk @ 1M cycles for a BER of 1-12.

<sup>4</sup>First number is Low BW, second number is Hi BW.

<sup>5</sup>Calculated from Intel-supplied Clock Jitter Tool v 1.6.4, with 7.8M rolloff

<sup>6</sup>For RMS figures, additive jitter is calculated by solving the following equation: (Additive jitter)<sup>2</sup> = (total jitter)<sup>2</sup> - (input jitter)<sup>2</sup>

**Electrical Characteristics - Input/Supply/Common Parameters**TA = T<sub>COM</sub> or T<sub>IND</sub>; Supply Voltage VDD/VDDA = 3.3 V +/-5%, See Test Loads for Loading Conditions

PARAMETER	SYMBOL	CONDITIONS	MIN	TYP	MAX	UNITS	NOTES
Ambient Operating Temperature	T <sub>COM</sub>	Commercial range	0	25	70	°C	1
	T <sub>IND</sub>	Industrial range	-40	25	85	°C	1
Input High Voltage	V <sub>IH</sub>	Single-ended inputs, except SMBus, low threshold and tri-level inputs	2	2.400	V <sub>DD</sub> + 0.3	V	1
Input Low Voltage	V <sub>IL</sub>	Single-ended inputs, except SMBus, low threshold and tri-level inputs	GND - 0.3	0.400	0.8	V	1
Input Current	I <sub>IN</sub>	Single-ended inputs, V <sub>IN</sub> = GND, V <sub>IN</sub> = VDD	-5		5	uA	1
	I <sub>INP</sub>	Single-ended inputs V <sub>IN</sub> = 0 V; Inputs with internal pull-up resistors V <sub>IN</sub> = VDD; Inputs with internal pull-down resistors	-200		200	uA	1
Input Frequency	F <sub>ibyp</sub>	V <sub>DD</sub> = 3.3 V, Bypass mode	33		400	MHz	2
	F <sub>ipll</sub>	V <sub>DD</sub> = 3.3 V, 100MHz PLL mode	80	100.00	110	MHz	2
	F <sub>ipll</sub>	V <sub>DD</sub> = 3.3 V, 133.33MHz PLL mode	120	133.33	150	MHz	2
Pin Inductance	L <sub>pin</sub>				7	nH	1
Capacitance	C <sub>IN</sub>	Logic Inputs, except DIF_IN	1.5		5	pF	1
	C <sub>INDIF_IN</sub>	DIF_IN differential clock inputs	1.5		2.7	pF	1,4
	C <sub>OUT</sub>	Output pin capacitance			6	pF	1
Clk Stabilization	T <sub>STAB</sub>	From V <sub>DD</sub> Power-Up and after input clock stabilization or de-assertion of PD# to 1st clock		0.5	1	ms	1,2
Input SS Modulation Frequency	f <sub>MODIN</sub>	Allowable Frequency (Triangular Modulation)	30		33	kHz	1
OE# Latency	t <sub>LATOE#</sub>	DIF start after OE# assertion DIF stop after OE# deassertion	4	10	12	clocks	1,3
Tdrive_PD#	t <sub>DRVPD</sub>	DIF output enable after PD# de-assertion		0.2	300	us	1,3
Tfall	t <sub>F</sub>	Fall time of control inputs			5	ns	1,2
Trise	t <sub>R</sub>	Rise time of control inputs			5	ns	1,2
SMBus Input Low Voltage	V <sub>ILSMB</sub>			0.4	0.8	V	1
SMBus Input High Voltage	V <sub>IHSMB</sub>		2.1	2.4	V <sub>DD</sub> SMB	V	1
SMBus Output Low Voltage	V <sub>OLSMB</sub>	@ I <sub>PULLUP</sub>		0.3	0.4	V	1
SMBus Sink Current	I <sub>PULLUP</sub>	@ V <sub>OL</sub>	4	5		mA	1
Nominal Bus Voltage	V <sub>DD</sub> SMB	3V to 5V +/- 10%	2.7	3.3	5.5	V	1
SCLK/SDATA Rise Time	t <sub>RSMB</sub>	(Max VIL - 0.15) to (Min VIH + 0.15)			1000	ns	1
SCLK/SDATA Fall Time	t <sub>FSMB</sub>	(Min VIH + 0.15) to (Max VIL - 0.15)			300	ns	1
SMBus Operating Frequency	f <sub>MAXSMB</sub>	Maximum SMBus operating frequency		400	100	kHz	1,5

<sup>1</sup>Guaranteed by design and characterization, not 100% tested in production.<sup>2</sup>Control input must be monotonic from 20% to 80% of input swing.<sup>3</sup>Time from deassertion until outputs are >200 mV<sup>4</sup>DIF\_IN input<sup>5</sup>The differential input clock must be running for the SMBus to be active. Tested at Fin=100MHz.

**Electrical Characteristics - DIF 0.7V Current Mode Differential Outputs**TA = T<sub>COM</sub> or T<sub>IND</sub>; Supply Voltage VDD/VDDA = 3.3 V +/-5%, See Test Loads for Loading Conditions

PARAMETER	SYMBOL	CONDITIONS	MIN	TYP	MAX	UNITS	NOTES
Slew rate	Trf	Scope averaging on	1	2.2	4	V/ns	1, 2, 3
Slew rate matching	ΔTrf	Slew rate matching, Scope averaging on		11	20	%	1, 2, 4
Voltage High	VHigh	Statistical measurement on single-ended signal using oscilloscope math function. (Scope averaging on)	660	772	850	mV	1
Voltage Low	VLow		-150	10	150		1
Max Voltage	Vmax	Measurement on single ended signal using absolute value. (Scope averaging)		870	1150	mV	1
Min Voltage	Vmin		-300	-47			1
Vswing	Vswing	Scope averaging off	300	1390		mV	1, 2
Crossing Voltage (abs)	Vcross_abs	Scope averaging off	250	360	550	mV	1, 5
Crossing Voltage (var)	Δ-Vcross	Scope averaging off		14	140	mV	1, 6

<sup>1</sup>Guaranteed by design and characterization, not 100% tested in production. IREF = VDD/(3xR<sub>R</sub>). For R<sub>R</sub> = 475Ω (1%), IREF = 2.32mA.I<sub>OH</sub> = 6 x IREF and V<sub>OH</sub> = 0.7V @ Z<sub>O</sub>=50Ω (100Ω differential impedance).<sup>2</sup>Measured from differential waveform<sup>3</sup>Slew rate is measured through the Vswing voltage range centered around differential 0V. This results in a +/-150mV window around differential 0V.<sup>4</sup>Matching applies to rising edge rate of Clock / falling edge rate of Clock#. It is measured in a +/-75mV window centered on the average cross point where Clock rising meets Clock# falling. The median cross point is used to calculate the voltage thresholds the oscilloscope uses for the edge rate calculations.<sup>5</sup>Vcross is defined as voltage where Clock = Clock# measured on a component test board and only applies to the differential rising edge (i.e. Clock rising and Clock# falling).<sup>6</sup>The total variation of all Vcross measurements in any system. Note that this is a subset of V\_cross\_min/max (V\_cross absolute) allowed. The intent is to limit Vcross induced modulation by setting V\_cross\_delta to be smaller than V\_cross absolute.**Electrical Characteristics - Current Consumption**TA = T<sub>COM</sub> or T<sub>IND</sub>; Supply Voltage VDD/VDDA = 3.3 V +/-5%, See Test Loads for Loading Conditions

PARAMETER	SYMBOL	CONDITIONS	MIN	TYP	MAX	UNITS	NOTES
VDD Operating Current, Commercial Temp	I <sub>DD3.3VDDOP</sub>	TA - T <sub>COM</sub> , All outputs active <200MHz		306	330	mA	1
	I <sub>DD3.3VDDOP</sub>	TA - T <sub>COM</sub> , All outputs active ≥200MHz		360	390	mA	1
VDDA Operating Current, Commercial Temp	I <sub>DD3.3VDDAOP</sub>	TA - T <sub>COM</sub> , All outputs active <200MHz		29	36	mA	1
	I <sub>DD3.3VDDAOP</sub>	TA - T <sub>COM</sub> , All outputs active ≥200MHz		29	36	mA	1
VDD Powerdown Current, Commercial Temp	I <sub>DD3.3VDDPDZ</sub>	TA = T <sub>COM</sub> , All differential pairs Hi-Z		12	15	mA	1
VDDA Powerdown Current, Commercial Temp	I <sub>DD3.3VDDAPDZ</sub>	TA = T <sub>COM</sub> , All differential pairs Hi-Z		15	20	mA	1
VDD Operating Current, Industrial Temp	I <sub>DD3.3VDDOP</sub>	TA - T <sub>IND</sub> , All outputs active <200MHz		325	350	mA	1
	I <sub>DD3.3VDDAOP</sub>	TA - T <sub>IND</sub> , All outputs active ≥200MHz		390	420	mA	1
VDDA Operating Current, Industrial Temp	I <sub>DD3.3VDDOP</sub>	TA - T <sub>IND</sub> , All outputs active ≥200MHz		33	40	mA	1
	I <sub>DD3.3VDDAOP</sub>	TA - T <sub>IND</sub> , All outputs active ≥200MHz		33	40	mA	1
VDD Powerdown Current, Industrial Temp	I <sub>DD3.3VDDPDZ</sub>	TA = T <sub>IND</sub> , All differential pairs Hi-Z		15	20	mA	1
VDDA Powerdown Current, Industrial Temp	I <sub>DD3.3VDDAPDZ</sub>	TA = T <sub>IND</sub> , All differential pairs Hi-Z		16	20	mA	1

<sup>1</sup>Guaranteed by design and characterization, not 100% tested in production.

## Electrical Characteristics - Skew and Differential Jitter Parameters

TA = T<sub>COM</sub> or T<sub>IND</sub>; Supply Voltage VDD/VDDA = 3.3 V +/-5%, See Test Loads for Loading Conditions

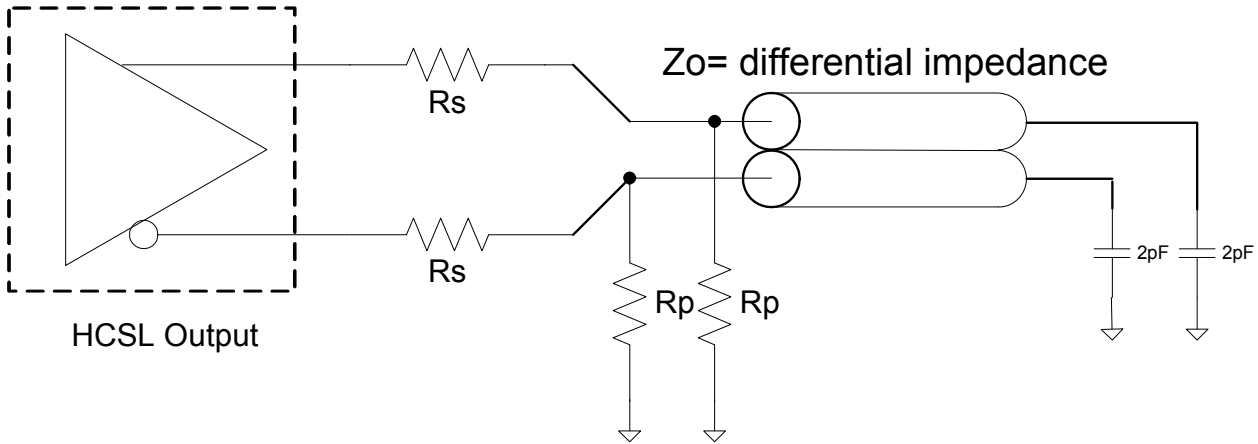
PARAMETER	SYMBOL	CONDITIONS	MIN	TYP	MAX	UNITS	NOTES
CLK_IN, DIF[x:0], 100M	t <sub>SPO_PLL100M</sub>	Input-to-Output Skew in PLL mode nominal value @ 25°C, 3.3V	925	1019	1125	ps	1,2,4,5,8
CLK_IN, DIF[x:0], 133M	t <sub>SPO_PLL133M</sub>	Input-to-Output Skew in PLL mode nominal value @ 25°C, 3.3V	1100	1120	1200	ps	1,2,4,5,8
CLK_IN, DIF[x:0]	t <sub>PD_BYP</sub>	Input-to-Output Skew in Bypass mode nominal value @ 25°C, 3.3V	4	4.6	5.2	ns	1,2,3,5,8
CLK_IN, DIF[x:0]	t <sub>DSPO_PLL</sub>	Input-to-Output Skew Variation in PLL mode across voltage and temperature		12581	13501	ps	1,2,3,5,6,8
CLK_IN, DIF[x:0]	t <sub>DSPO_BYP</sub>	Input-to-Output Skew Variation in Bypass mode across voltage and temperature		17711	19001	ps	1,2,3,5,6,8
CLK_IN, DIF[x:0]	t <sub>DTE</sub>	Random Differential Tracking error between two 9EX2 devices in Hi BW Mode		2	10	ps (rms)	1,2,3,5,8,12
CLK_IN, DIF[x:0]	t <sub>DSSTE</sub>	Random Differential Spread Spectrum Tracking error between two 9EX2 devices in Hi BW Mode		20	75	ps	1,2,3,5,8,13
DIF[x:0]	t <sub>SKREW_ALL</sub>	Output-to-Output Skew across all outputs (Common to Bypass and PLL mode)		75	150	ps	1,2,8
PLL Jitter Peaking	j <sub>peak-hibw</sub>	High Bandwidth	0	2.3	3	dB	7,8
PLL Jitter Peaking	j <sub>peak-lobw</sub>	Low Bandwidth	0	2.5	3	dB	7,8
PLL Bandwidth	pll <sub>HIBW</sub>	High Bandwidth	2	2.5	4	MHz	8,9
PLL Bandwidth	pll <sub>LOBW</sub>	Low Bandwidth	0.7	0.87	1.4	MHz	8,9
Duty Cycle	t <sub>DC</sub>	Measured differentially, PLL Mode	45	49.6	55	%	1
Duty Cycle Distortion	t <sub>DCD</sub>	Measured differentially, Bypass Mode @100MHz	-2	0.2	2	%	1,10
Jitter, Cycle to cycle	t <sub>j<sub>cyc-cyc</sub></sub>	PLL mode		27	50	ps	1
		Additive Jitter in Bypass Mode		20	50	ps	1

### Notes for preceding table:

- <sup>1</sup> Measured into fixed 2 pF load cap. Input to output skew is measured at the first output edge following the corresponding input.
- <sup>2</sup> Measured from differential cross-point to differential cross-point.
- <sup>3</sup> All Bypass Mode Input-to-Output specs refer to the timing between an input edge and the specific output edge created by it.
- <sup>4</sup> This parameter is deterministic for a given device
- <sup>5</sup> Measured with scope averaging on to find mean value.
- <sup>6</sup> Long-term variation from nominal of input-to-output skew over temperature and voltage for a single device.
- <sup>7</sup> Measured as maximum pass band gain. At frequencies within the loop BW, highest point of magnification is called PLL jitter peaking.
- <sup>8</sup> Guaranteed by design and characterization, not 100% tested in production.
- <sup>9</sup> Measured at 3 db down or half power point.
- <sup>10</sup> Duty cycle distortion is the difference in duty cycle between the output and the input clock when the device is operated in bypass mode
- <sup>11</sup> Measured from differential waveform
- <sup>12</sup> This parameter is measured at the outputs of two separate ICS9EX21501 devices driven by a single CK410B+. The ICS9EX21501's must be set to high bandwidth. Differential phase jitter is the accumulation of the phase jitter not shared by the outputs (eg. not including the affects of spread spectrum). Target ranges of consideration are agents with BW of 1-22Mhz and 11-33Mhz.
- <sup>13</sup> Differential spread spectrum tracking error is the difference in spread spectrum tracking between two ICS9EX21501 devices. This parameter is measured at the outputs of two separate ICS9EX21501 devices driven by a single CK410B+ in Spread Spectrum mode. The ICS9EX21501's must be set to high bandwidth. The spread spectrum characteristics are: maximum of 0.5%, 30-33KHz modulation frequency, triangle profile.



### HCSL Differential Output Test Load



Differential Output Termination Table

DIF Zo ( $\Omega$ )	Iref ( $\Omega$ )	Rs ( $\Omega$ )	Rp ( $\Omega$ )	C <sub>L</sub> (pF)
100	475	33	50	2
85	412	27	43.2	2

← Test Load

## General SMBus serial interface information for the 9EX21501

### How to Write:

- Controller (host) sends a start bit.
- Controller (host) sends the write address D4<sub>(H)</sub>
- ICS clock will **acknowledge**
- Controller (host) sends the beginning byte location = N
- ICS clock will **acknowledge**
- Controller (host) sends the data byte count = X
- ICS clock will **acknowledge**
- Controller (host) starts sending **Byte N through Byte N + X - 1**
- ICS clock will **acknowledge** each byte **one at a time**
- Controller (host) sends a Stop bit

### How to Read:

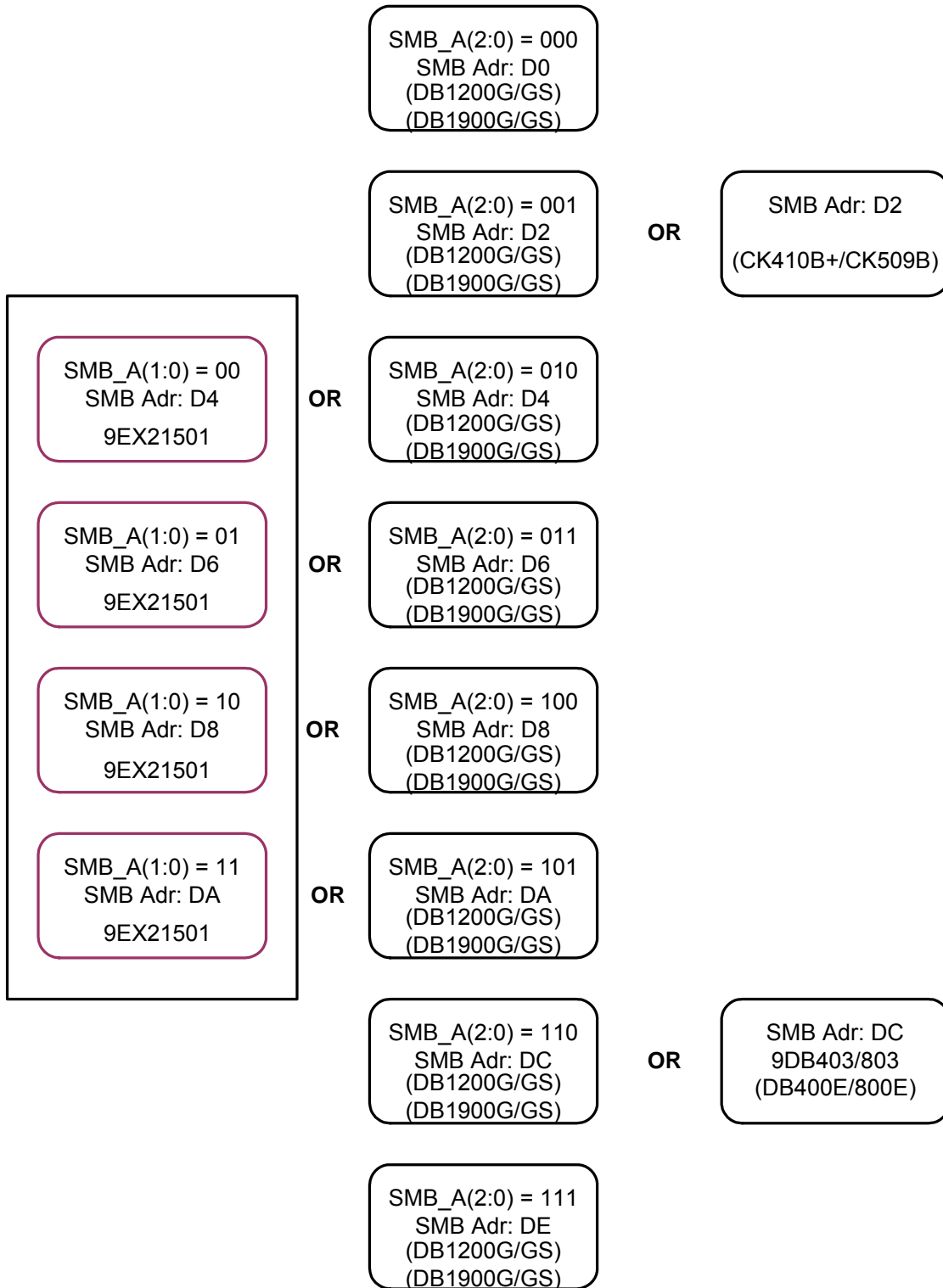
- Controller (host) will send start bit.
- Controller (host) sends the write address D4<sub>(H)</sub>
- ICS clock will **acknowledge**
- Controller (host) sends the beginning byte location = N
- ICS clock will **acknowledge**
- Controller (host) will send a separate start bit.
- Controller (host) sends the read address D5<sub>(H)</sub>
- ICS clock will **acknowledge**
- ICS clock will send the data byte count = X
- ICS clock sends **Byte N + X - 1**
- ICS clock sends **Byte 0 through byte X (if X<sub>(H)</sub> was written to byte 8).**
- Controller (host) will need to acknowledge each byte
- Controller (host) will send a not acknowledge bit
- Controller (host) will send a stop bit

Index Block Write Operation		
Controller (Host)		ICS (Slave/Receiver)
T	starT bit	
Slave Address D4 <sub>(H)</sub>		
WR	WRite	
		ACK
Beginning Byte = N		
		ACK
Data Byte Count = X		
		ACK
Beginning Byte N	X Byte	ACK
◊		◊
◊		◊
◊		◊
Byte N + X - 1		◊
		ACK
P	stoP bit	

Index Block Read Operation		
Controller (Host)		ICS (Slave/Receiver)
T	starT bit	
Slave Address D4 <sub>(H)</sub>		
WR	WRite	
		ACK
Beginning Byte = N		
		ACK
RT	Repeat starT	
Slave Address D5 <sub>(H)</sub>		
RD	ReaD	
		ACK
		Data Byte Count = X
ACK		
		Beginning Byte N
ACK		
		◊
		◊
		◊
		◊
		Byte N + X - 1
N	Not acknowledge	
P	stoP bit	

Note: SMBus address is selectable among 4 addresses. See tabel on page 2.

9EX21501 SMBus Addressing



SMBusTable: Output, and PLL BW Control Register

Byte 0	Pin #	Name	Control Function	Type	0	1	Default
Bit 7	54	PLL_BW# adjust		RW	00 = Low BW (1MHz) 10 = Bypass		Latch
Bit 6		BYPASS# test mode / PLL		RW	11 = High BW (3MHz)		Latch
Bit 5		RESERVED					1
Bit 4		DIF_14	Output Control	RW	Hi-Z	Enable	1
Bit 3		RESERVED					0
Bit 2	-	100M_133M#	Frequency Select Bit C	RW	133MHz	100MHz	Latch
Bit 1	-	FSB	Frequency Select Bit B	RW	See Frequency Select		0
Bit 0	-	FSA	Frequency Select bit A	RW	Table		1

SMBusTable: Output Control Register

Byte 1	Pin #	Name	Control Function	Type	0	1	Default
Bit 7		RESERVED					1
Bit 6		DIF_6	Output Control	RW	Hi-Z	Enable	1
Bit 5		DIF_5	Output Control	RW	Hi-Z	Enable	1
Bit 4		DIF_4	Output Control	RW	Hi-Z	Enable	1
Bit 3		DIF_3	Output Control	RW	Hi-Z	Enable	1
Bit 2		DIF_2	Output Control	RW	Hi-Z	Enable	1
Bit 1		DIF_1	Output Control	RW	Hi-Z	Enable	1
Bit 0		DIF_0	Output Control	RW	Hi-Z	Enable	1

SMBusTable: Output Control Register

Byte 2	Pin #	Name	Control Function	Type	0	1	Default
Bit 7		DIF_13	Output Control	RW	Hi-Z	Enable	1
Bit 6		RESERVED					1
Bit 5		DIF_12	Output Control	RW	Hi-Z	Enable	1
Bit 4		DIF_11	Output Control	RW	Hi-Z	Enable	1
Bit 3		DIF_10	Output Control	RW	Hi-Z	Enable	1
Bit 2		DIF_9	Output Control	RW	Hi-Z	Enable	1
Bit 1		DIF_8	Output Control	RW	Hi-Z	Enable	1
Bit 0		DIF_7	Output Control	RW	Hi-Z	Enable	1

SMBusTable: Output Enable Readback Register

Byte 3	Pin #	Name	Control Function	Type	0	1	Default
Bit 7	4	OE10# Input	Pin Readback	R	Pin Low	Pin Hi	X
Bit 6	1	OE9# Input	Pin Readback	R	Pin Low	Pin Hi	X
Bit 5	63	OE8# Input	Pin Readback	R	Pin Low	Pin Hi	X
Bit 4	50	OE7# Input	Pin Readback	R	Pin Low	Pin Hi	X
Bit 3		RESERVED					1
Bit 2	46	OE6# Input	Pin Readback	R	Pin Low	Pin Hi	X
Bit 1	43	OE5# Input	Pin Readback	R	Pin Low	Pin Hi	X
Bit 0	30	OE_01234# Input	Pin Readback	R	Pin Low	Pin Hi	X

SMBusTable: Output Enable Readback Register

Byte 4	Pin #	Name	Control Function	Type	0	1	Default
Bit 7			RESERVED				0
Bit 6			RESERVED				0
Bit 5		100M_133M# Input	Pin Readback	R	133M	100M	X
Bit 4		SEL_A_B# Input	Pin Readback	R	Input B	Input A	X
Bit 3	18	OE13_14# Input	Pin Readback	R	Pin Low	Pin Hi	X
Bit 2			RESERVED				1
Bit 1	14	OE12# Input	Pin Readback	R	Pin Low	Pin Hi	X
Bit 0	7	OE11# Input	Pin Readback	R	Pin Low	Pin Hi	X

Note: For an output to be enabled, BOTH the Output Enable Bit and the OE# pin must be enabled. This means that the Output Enable Bit must be '1' and the corresponding OE# pin must be '0'.

SMBusTable: Vendor &amp; Revision ID Register

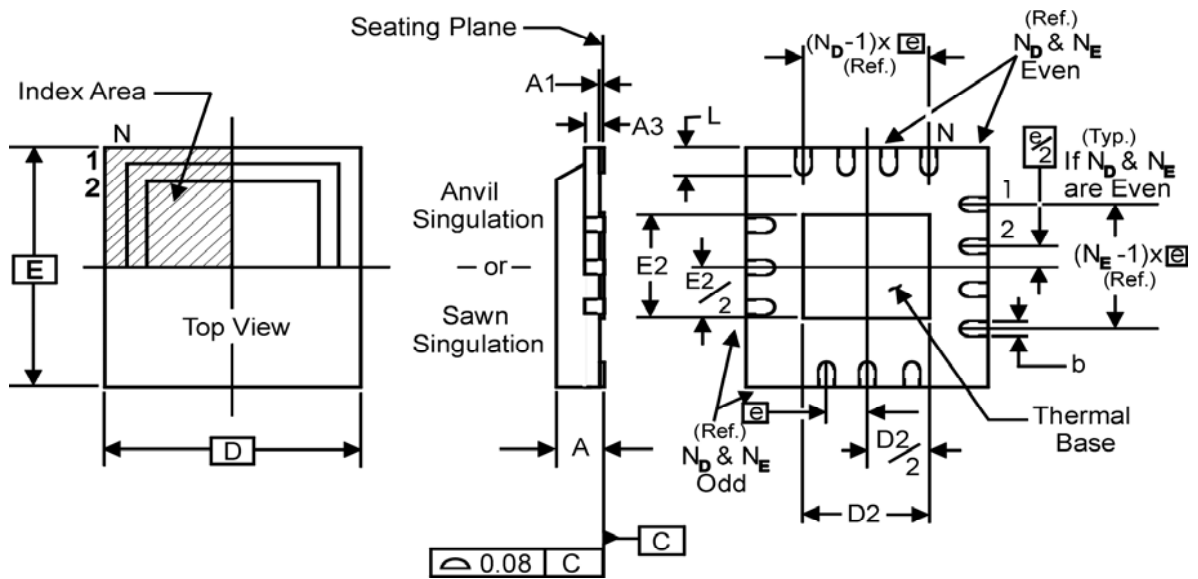
Byte 5	Pin #	Name	Control Function	Type	0	1	Default
Bit 7	-	RID3	REVISION ID	R	-	-	0
Bit 6	-	RID2		R	-	-	0
Bit 5	-	RID1		R	-	-	0
Bit 4	-	RID0		R	-	-	1
Bit 3	-	VID3	VENDOR ID	R	-	-	0
Bit 2	-	VID2		R	-	-	0
Bit 1	-	VID1		R	-	-	0
Bit 0	-	VID0		R	-	-	1

SMBusTable: DEVICE ID

Byte 6	Pin #	Name	Control Function	Type	0	1	Default
Bit 7	-	Device ID 7 (MSB)		R	Device ID is 18 hex		0
Bit 6	-	Device ID 6		R		0	
Bit 5	-	Device ID 5		R		0	
Bit 4	-	Device ID 4		R		1	
Bit 3	-	Device ID 3		R		1	
Bit 2	-	Device ID 2		R		0	
Bit 1	-	Device ID 1		R		0	
Bit 0	-	Device ID 0		R		0	

SMBusTable: Byte Count Register

Byte 7	Pin #	Name	Control Function	Type	0	1	Default
Bit 7	-	BC7	Writing to this register configures how many bytes will be read back.	RW	-	-	0
Bit 6	-	BC6		RW	-	-	0
Bit 5	-	BC5		RW	-	-	0
Bit 4	-	BC4		RW	-	-	0
Bit 3	-	BC3		RW	-	-	0
Bit 2	-	BC2		RW	-	-	1
Bit 1	-	BC1		RW	-	-	1
Bit 0	-	BC0		RW	-	-	1



THERMALLY ENHANCED, VERY THIN, FINE PITCH  
QUAD FLAT / NO LEAD PLASTIC PACKAGE

DIMENSIONS

N	64
$N_D$	16
$N_E$	16

DIMENSIONS (mm)

SYMBOL	MIN.	MAX.
A	0.8	1.0
A1	0	0.05
A3	0.25 Reference	
b	0.18	0.3
e	0.50 BASIC	
D x E BASIC	9.00 x 9.00	
D2 MIN. / MAX.	7.00	7.25
E2 MIN. / MAX.	7.00	7.25
L MIN. / MAX.	0.30	0.50

Ordering Information

Part / Order Number	Shipping Packaging	Package	Temperature
9EX21501AKLF	Trays	64-pin MLF	0 to +70° C
9EX21501AKLFT	Tape and Reel	64-pin MLF	0 to +70° C
9EX21501AKILF	Trays	64-pin MLF	-40 to +85° C
9EX21501AKILFT	Tape and Reel	64-pin MLF	-40 to +85° C

"LF" suffix to the part number are the Pb-free configuration and are RoHS compliant.

"A" is the revision designator (will not correlate with datasheet revision).

Due to package size constraints actual top side marking may differ from the full orderable part number.

Revision History

Rev.	Who	Issue Date	Description	Page #
0.1	RDW	4/6/2009	Initial Release	-
0.2	RDW	4/7/2008	1. Lowered IDD 2. Updated block diagram to correct typo's 3. Corrected Pin descriptions 4. Corrected Frequency/functionality table references to Byte 2, should be Byte 0 5. Updated Power Groups Table 6. Corrected typo in SMBus Address Selection Table. 7. Corrected references to 9EX1501 to be 9EX21501	Various
0.3	RDW	11/24/2009	1. Added more detailed Idd numbers to DS 2. Added industrial temp Idd numbers and ordering information	
0.4	RDW	2/4/2010	1. Corrected Pin Description for Pin 52. There was discrepancy between the Frequency/Functionality Table and the Pin Description. The Pin Description was not correct. Instead of the pin description defining functionality, it now refers to the Frequency Functionality Table for the definition.	4
0.5	RDW	1/18/2011	1. Reformatted Electrical Tables to latest template 2. Updated electrical tables with characterized data 3. Added Test loads diagram and table 4. Move to Final	Various

Innovate with IDT and accelerate your future networks. Contact:

[www.IDT.com](http://www.IDT.com)

**For Sales**

800-345-7015  
408-284-8200  
Fax: 408-284-2775

**For Tech Support**

408-284-6578  
pcclockhelp@idt.com

**Corporate Headquarters**

Integrated Device Technology, Inc.  
6024 Silver Creek Valley Road  
San Jose, CA 95138  
United States  
800 345 7015  
+408 284 8200 (outside U.S.)

**Asia Pacific and Japan**

IDT Singapore Pte. Ltd.  
1 Kallang Sector #07-01/06  
KolamAyer Industrial Park  
Singapore 349276  
Phone: 65-6-744-3356  
Fax: 65-6-744-1764

**Europe**

IDT Europe Limited  
321 Kingston Road  
Leatherhead, Surrey  
KT22 7TU England  
Phone: 44-1372-363339  
Fax: 44-1372-378851

