



Hall Effect Sensor IC with Thermal Lock Protection and Auto Restart Function

Features:

- Operate from 2.8V to 20V supply voltage.
- On-chip Hall sensor.
- Internal bandgap regulator allows temperature compensated operations and a wide operating voltage range.
- High output sinking capability up to 500mA for driving large load.
- Lower current change rate reduces the peak output voltages during switching.
- Available in rugged low profile SOT-25 , SIP-4L packages.
- Built-in FG output.
- Built-in protection diode for reverse power supply fault.
- Built-in thermal lock protection and auto-restart function.

General Description:

WSH411 is designed to integrate Hall sensor with complementary output drivers and frequency generator together on the same chip, it is suitable for speed measurement, revolution counting, positioning, and DC brushless motors. It includes a temperature compensated voltage regulator, a differential amplifier, a Hysteresis controller, two open-collector output drivers capable of sinking 1A current load and an open-collector frequency generator capable of sinking 10mA current load. An on-chip protection diode is implemented to prevent reverse power fault. And built-in thermal lock protection and auto-restart function is suitable for super high speed fan. It can replace the function of lock protection and auto restart function. The power will be shutdown automatically at 135°C to prevent the coils be damaged and auto-restart after cooling down.

The temperature-dependent bias increases the supply voltage of the hall plates and adjusts the switching points to the decreasing induction of magnets at higher temperatures. Subsequently, the open collector output switches to the appropriate state. WSH411 are rated for operation over temperature range from -20° C to 100°C and voltage ranges from 2.8V to 20V.

Winson reserves the right to make changes to improve reliability or manufacturability.



Pin Descriptions: SOT-25

Name	P/I/O	Pin#	Description
VDD	P	1	Positive Power Supply
Vss	P	2	Ground
FG	O	3	Frequency Generator
OUT2	O	4	Output Pin 2
OUT1	O	5	Output Pin 1

Pin Descriptions: SIP-4L

Name	P/I/O	Pin#	Description
Vcc	P	1	Positive Power Supply
OUT1	O	2	Output Pin #1
OUT2	O	3	Output Pin #2
Vss	P	4	Ground

Pin Descriptions: SIP-5L

Name	P/I/O	Pin#	Description
Vcc	P	1	Positive Power Supply
OUT1	O	2	Output Pin #1
OUT2	O	3	Output Pin #2
FG	O	4	Frequency Generator
Vss	P	5	Ground

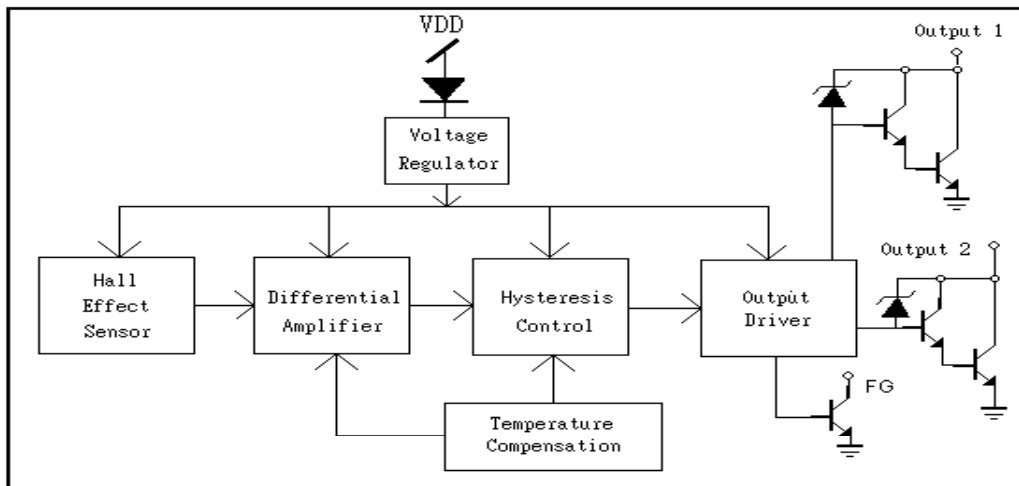
Absolute Maximum Rating (at Ta=25° C)

Supply Voltage	Vcc	-----	20V	
Output / FG breakdown Voltage	Vout/Vfg	-----	25V	
Magnetic flux density	B	-----	Unlimited	
Reverse Protection Voltage	Vr	-----	20V	
Output Current	Ic	-----	300mA	
	Hold current	Ih	-----	500mA
	Peak current	Ip	-----	1.2A
FG ON Current (continuous)	If	-----	20mA	
Operating Temperature Range	Ta	-----	(-20°C to +100°C)	
Storage Temperature Range	Ts	-----	(-65°C to +150°C)	
Package Power Dissipation	Pd	-----	350mw for SOT-25	
			500mw for SIP-4L	
			SIP-5L	

Winson reserves the right to make changes to improve reliability or manufacturability.

Electrical Characteristics: (T=+25°C, Vcc=2.8V to 20V)

Characteristic	Symbol	Test Conditions	Min	Typ	Max	Units
Supply Voltage	Vcc	—	2.8	—	20	V
Output Saturation Voltage	Vout(sat)	Vcc=20V, Ic=200mA B > Bop	—	0.75	1.0	V
FG Saturation Voltage	Vfg(sat)	Vcc=20V, If=10mA B > Bop	—	0.15	0.4	V
Output Leakage Current	Ileakage	Vcc=20V, B < Brp	—	<0.1	10	uA
Supply Current	Isupply	Vcc=20V, Output & FG Open	—	5	10	mA
Output / FG Rising Time	Tr	Vcc=12V, RL=820Ω CL=20Pf	—	3.0	10	us
Output / FG Falling Time	Tf	Vcc=12V, RL=820Ω CL=20Pf	—	0.3	1.5	us
Output / FG Time Differential	Δt	Vcc=12V, RL=820Ω CL=20Pf	—	0.3	3	us

Function Block:


Winson reserves the right to make changes to improve reliability or manufacturability.

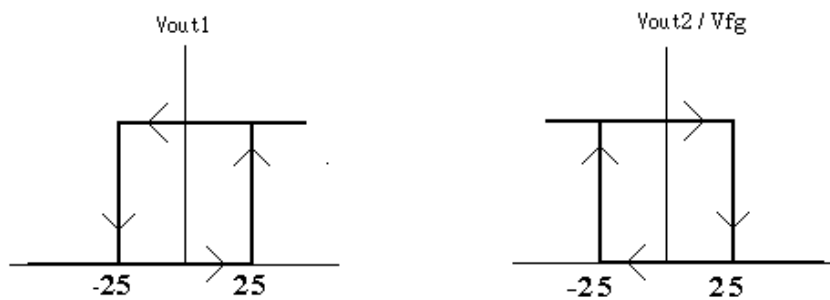
Magnetic Characteristics:

Characteristics	Symbol	Quantity	Ta= -20°C to +100°C			Unit
			Min	Typ.	Max	
Operate Point	Bop	Grade A		25	50	Gauss
		Grade B		30	70	
		Grade C		50	120	
Release Point	Brp	Grade A	-70	-25		Gauss
		Grade B	-100	-30		
		Grade C	-120	-50		
Hysteresis Window	Bop-Brp			40	200	Gauss

Ordering Information:

<p>SIP- 4L: WSH411-XPA <input type="checkbox"/></p> <p>SIP- 5L: WSH411-XPC <input type="checkbox"/></p> <p>SOT-25: WSH411-XPD <input type="checkbox"/></p>	<p>Elec. Grade</p> <p>SIP-4L & SIP-5L:</p> <p>1: A Grade (50 Gauss)</p> <p>2: B Grade (70 Gauss)</p> <p>3: C Grade (120 Gauss)</p> <p>SOT-25:</p> <p>1: A Grade (50 Gauss)</p> <p>2: B Grade (70 Gauss)</p>
--	--

WSH411 Complementary Output1 vs. Output2/Vfg

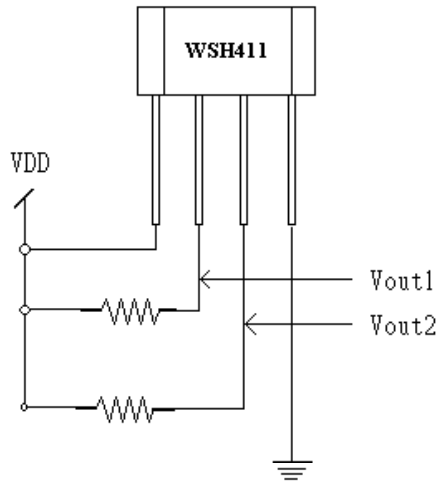


Magnetic Flux Density in Gauss

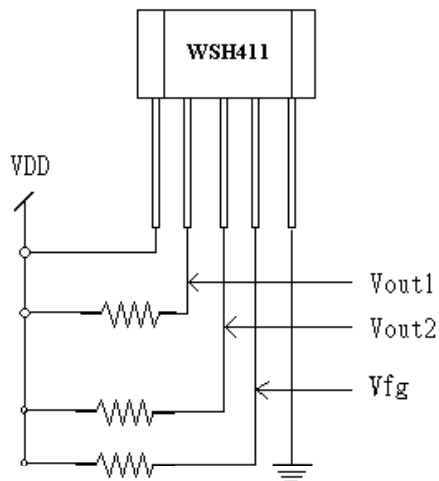
Winson reserves the right to make changes to improve reliability or manufacturability.

Test Circuit:

SIP-4L

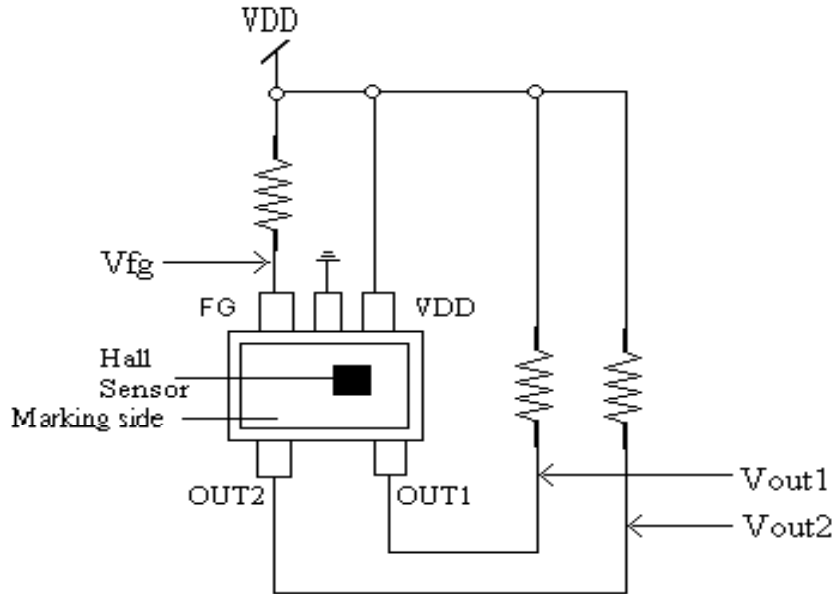


SIP-5L



Winson reserves the right to make changes to improve reliability or manufacturability.

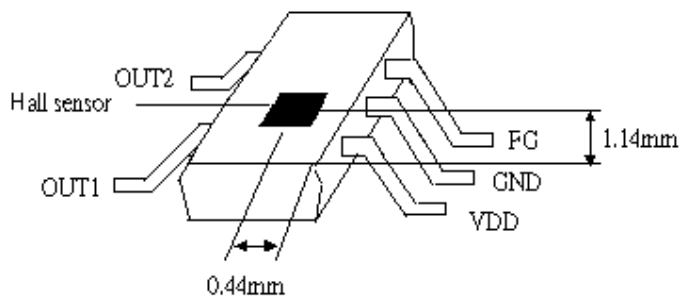
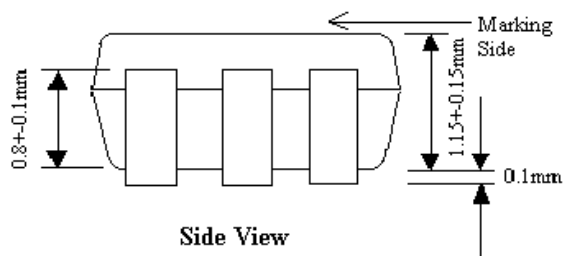
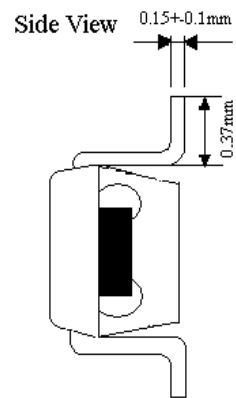
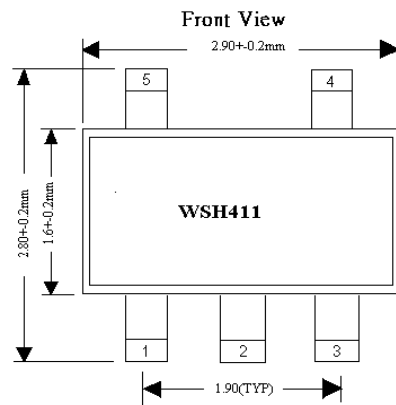
SOT-25



Winson reserves the right to make changes to improve reliability or manufacturability.

Package Information:

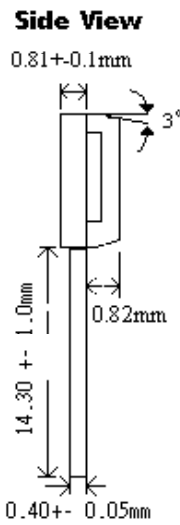
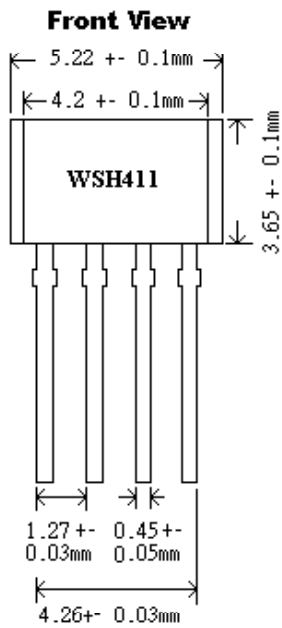
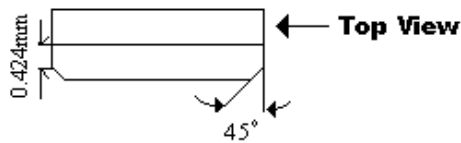
SOT-25



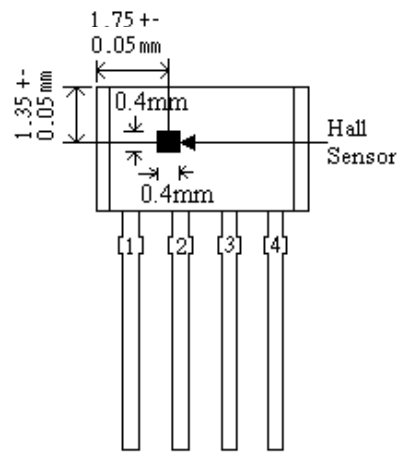
Winson reserves the right to make changes to improve reliability or manufacturability.

SIP-4L

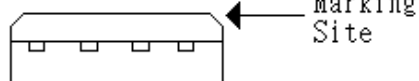
Package Dimension



Hall Sensor Location



Bottom View

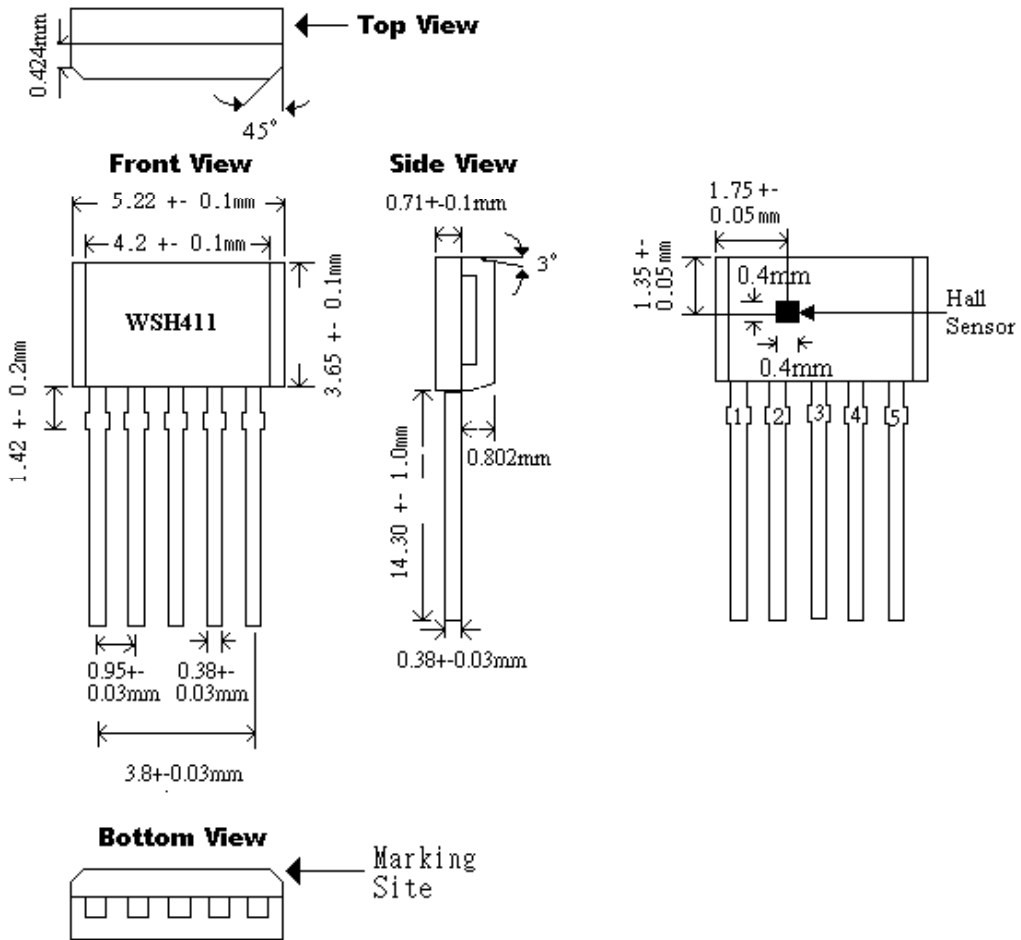


Winson reserves the right to make changes to improve reliability or manufacturability.

SIP-5L

Package Dimension

Hall Sensor Location



Winson reserves the right to make changes to improve reliability or manufacturability.

Application Circuit:

SOT-25

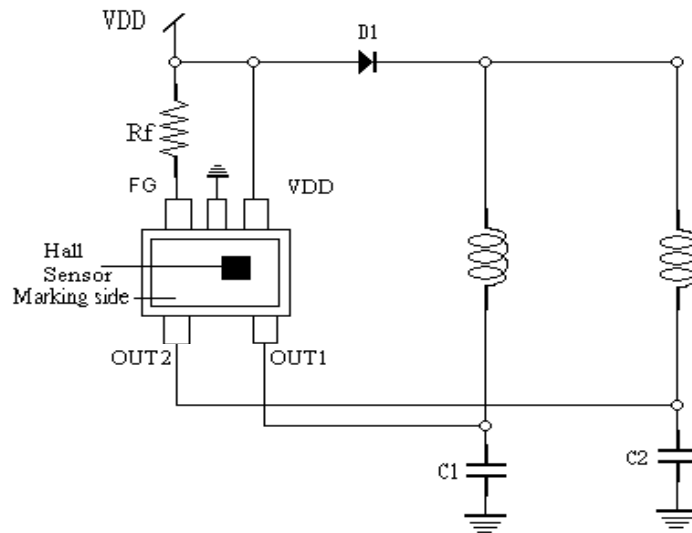


Figure 1.

SIP-4L

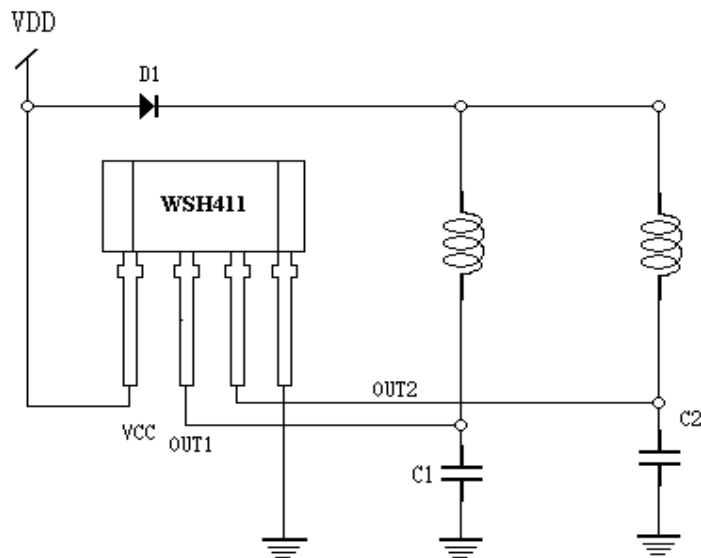


Figure 2.

Winson reserves the right to make changes to improve reliability or manufacturability.

SIP-5L

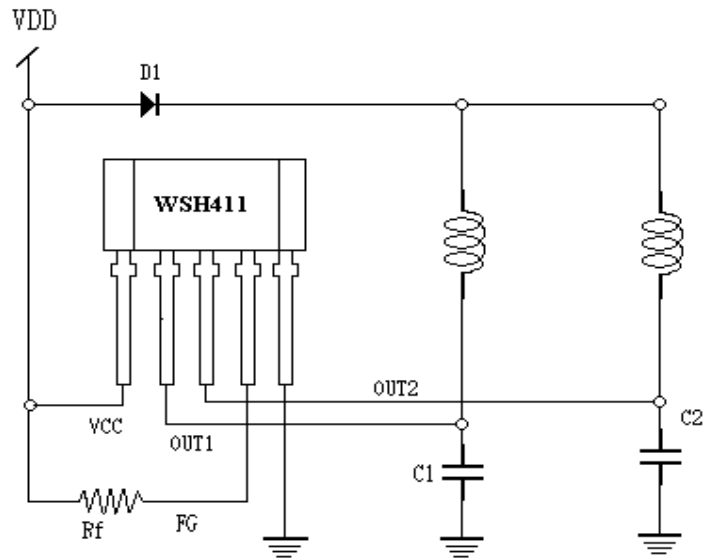


Figure 3.

Winson reserves the right to make changes to improve reliability or manufacturability.