

# Surface Mount Switch

# MSWT-4-20+ MSWT-4-20

50Ω Transfer, DC to 2.0 GHz Low Video Leakage



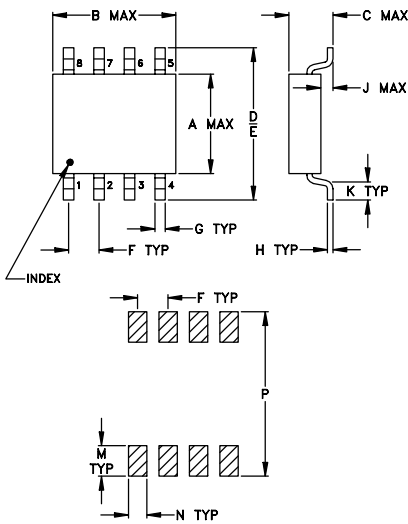
## Maximum Ratings

Operating Temperature	-40°C to 85°C
Storage Temperature	-55°C to 100°C

## Pin Connections

Tx	2
Rx	6
J1	4
J2	8
CONTROL 1	1
CONTROL 2	3
CONTROL 3	5
CONTROL 4	7

## Outline Drawing

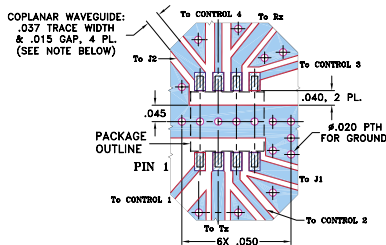


SUGGESTED FOOTPRINT FOR PC BOARD DESIGN

## Outline Dimensions (inch/mm)

A	B	C	D	E	F	G
.163	.210	.077	.250	.220	.050	.017
4.14	5.33	1.96	6.35	5.59	1.27	0.43
H	J	K	M	N	P	wt
.009	.025	.030	.050	.030	.270	grams
0.23	0.64	0.76	1.27	0.76	6.86	0.10

## Demo Board MCL P/N: TB-202 Suggested PCB Layout (PL-220)



NOTE: 1. COPLANAR WAVEGUIDE PARAMETERS ARE SHOWN FOR ROGERS RO4350B WITH DIELECTRIC THICKNESS .020" ± .0015". COPPER: 1/2 OZ. EACH SIDE. FOR OTHER MATERIALS TRACE WIDTH & GAP MAY NEED TO BE MODIFIED. 2. BOTTOM SIDE OF THE PCB IS CONTINUOUS GROUND PLANE. DENOTES PCB COPPER LAYOUT WITH SMOBC (SOLDER MASK OVER BARE COPPER) DENOTES COPPER LAND PATTERN FREE OF SOLDER MASK

## Features

- wideband, DC to 2.0 GHz
- low video leakage, 15 mVp-p typ.
- excellent VSWR, 1.2:1 typ.

## Applications

- transmitter/receiver
- automatic test equipment

CASE STYLE: XX211  
PRICE: \$3.45 ea. QTY (10)

**+ RoHS compliant in accordance with EU Directive (2002/95/EC)**

The +suffix identifies RoHS Compliance. See our web site for RoHS compliance methodologies and qualifications.

## Electrical Specifications

FREQ. (GHz)	Path	INSERTION LOSS (dB)								1dB COMPR. (dBm)				ISOLATION (dB)												
		DC-100 MHz		100-500 MHz		500-1000 MHz		1000-2000 MHz		DC-100 MHz		100-500 MHz		500-1000 MHz		1000-2000 MHz		DC-100 MHz		100-500 MHz		500-1000 MHz		1000-2000 MHz		
		Typ.	Max.	Typ.	Max.	Typ.	Max.	Typ.	Max.	Typ.	Max.	Typ.	Max.	Typ.	Max.	Typ.	Max.	Typ.	Max.	Typ.	Max.	Typ.	Max.	Typ.	Max.	
DC 2.0	Tx-J1/J2	0.9	1.2	1.1	1.5	1.25	1.8	1.45	2.2	18	25	28	29	51	44	34	27	26	21	19	15	15	15	15	15	15
	J1/J2-Rx	1.1	1.4	1.3	1.7	1.5	2.0	1.6	2.2	16	18	20	22	52	46	37	31	29	24	21	17	17	17	17	17	
	Tx-Rx	-	-	-	-	-	-	-	-	-	-	-	-	-	60	53	41	36	34	27	28	21	21	21	21	

## Additional Specifications

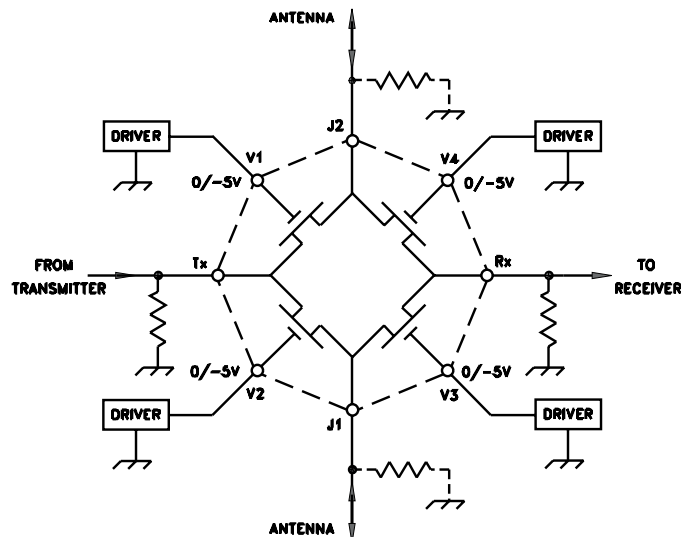
Control Voltage	-8/0 for compression spec, -8 to -5/0 for all other specs			
Control Current, mA	0.2 max to -8V, 0.02 max at 0 to -0.2V			
VSWR(:1)	DC-.1GHz 1.2 typ. 1.65 max.	.1-.5GHz 1.25 typ. 1.8 max.	.5-1GHz 1.4 typ. 1.9 max.	1-2GHz 1.4 typ. 1.7 max.
Rise/Fall time (10%-90%), ns	2 typ.			
Switching time, 50% of Control to 90% RF (Turn-on), ns	4 typ			
10% RF (Turn-off), ns	4 typ			
**Video Leakage, mVp-p 0/-5V Control	15 typ.			

Control Ports				"On" Path (other paths are "OFF")
1	2	3	4	
0	-V	-V	-V	T <sub>x</sub> -J <sub>2</sub>
-V	0	-V	-V	T <sub>x</sub> -J <sub>1</sub>
-V	-V	0	-V	R <sub>x</sub> -J <sub>1</sub>
-V	-V	-V	0	R <sub>x</sub> -J <sub>2</sub>
0	-V	0	-V	T <sub>x</sub> -J <sub>2</sub> & R <sub>x</sub> -J <sub>1</sub>
-V	0	-V	0	T <sub>x</sub> -J <sub>1</sub> & R <sub>x</sub> -J <sub>2</sub>

\*\* Video leakage or break through is defined as leakage of switching signal to RF output ports.  
1. RF Power Input (dBm), Max. DC-100MHz 100-500MHz 500-2000MHz  
- Steady State Control 0/-8V 24 27 33  
- As a Modulator 12 17 23  
2. Control Current, 500µA (occurs at -9V to -12V typ.)

## Application Note for MSWT-4-20 Transmit-Receive Switch:

The functional schematic diagram for a diversity application of the switch is shown in Figure 1, with the required external components including 4 independent drivers at the control ports. When operation as a transfer switch is desired only 2 drivers are needed, one connected to the V1 and V3 ports together, and the other connected to the V2 and V4 ports. In either case, two DC return paths are needed for the control voltages, represented by the ground symbols in the diagram. These returns must be via oppositely situated RF ports (Tx and Rx or J1 and J2), and can be furnished incidentally by the user's RF terminating devices themselves. However, if those devices are AC-coupled (that is, they contain DC blocking capacitors), then the shunt resistors shown in the diagram are needed. The resistor should be installed either at the Tx and Rx ports (connection shown as solid), or at J1 and J2 (shown dotted), with equal effect. If one external RF device has a DC return to ground, for example, then only one resistor is needed; it must be installed at the opposite RF port of the switch. The resistance of each of the external DC returns should be 20K ohms or less, for proper ON/OFF FETs.



## Typical Performance Data

FREQ. (MHz)	ON INSERTION LOSS (dB) (CTRL <sub>1</sub> @-8V, CTRL <sub>2</sub> @0V) (CTRL <sub>3</sub> @-8V, CTRL <sub>4</sub> @0V) Tx-J <sub>1</sub> Rx-J <sub>2</sub>				AMPLITUDE UNBALANCE		OFF INSERTION LOSS (dB) (CTRL <sub>1</sub> @0V, CTRL <sub>2</sub> @-8V) (CTRL <sub>3</sub> @0V, CTRL <sub>4</sub> @-8V) Tx-J <sub>1</sub> Rx-J <sub>2</sub>				VSWR ON	
	$\bar{x}$	$\sigma$	$\bar{x}$	$\sigma$	$\bar{x}$	$\sigma$	$\bar{x}$	$\sigma$	$\bar{x}$	$\sigma$	T <sub>x</sub> -J <sub>1</sub> $\bar{x}$	R <sub>x</sub> -J <sub>2</sub> $\bar{x}$
1.00	0.77	0.01	1.03	0.02	0.27	0.03	98.89	2.58	92.52	7.65	1.18	1.25
8.49	0.77	0.01	1.04	0.02	0.27	0.03	81.64	2.04	73.58	0.79	1.18	1.25
23.49	0.82	0.01	1.07	0.02	0.25	0.02	68.21	1.03	64.25	0.16	1.18	1.25
38.48	0.84	0.02	1.08	0.01	0.24	0.01	64.34	0.08	59.52	0.25	1.18	1.26
60.98	0.86	0.04	1.09	0.01	0.23	0.00	58.77	0.40	55.31	0.17	1.18	1.26
98.46	0.87	0.01	1.08	0.02	0.21	0.02	52.85	0.01	50.90	0.08	1.18	1.26
210.93	0.98	0.01	1.20	0.02	0.22	0.03	43.69	0.14	43.46	0.31	1.19	1.25
308.39	1.04	0.03	1.29	0.01	0.25	0.01	40.09	0.12	40.29	0.05	1.19	1.24
503.33	1.04	0.04	1.28	0.02	0.25	0.01	34.58	0.17	34.09	0.32	1.23	1.26
623.29	1.12	0.03	1.35	0.02	0.25	0.02	32.82	0.07	32.54	0.08	1.28	1.30
750.75	1.21	0.04	1.46	0.02	0.25	0.02	31.17	0.06	30.89	0.08	1.34	1.35
930.69	1.19	0.03	1.44	0.02	0.28	0.02	29.33	0.09	28.45	0.21	1.44	1.44
1035.65	1.38	0.03	1.62	0.02	0.26	0.03	28.25	0.16	27.42	0.11	1.47	1.47
1245.58	1.36	0.03	1.55	0.02	0.22	0.05	25.64	0.15	24.47	0.09	1.47	1.46
1448.01	1.44	0.02	1.61	0.01	0.24	0.05	24.70	0.15	22.92	0.24	1.40	1.39
1552.98	1.35	0.01	1.60	0.02	0.28	0.02	23.72	0.06	22.75	0.12	1.35	1.35
1755.41	1.39	0.03	1.63	0.02	0.24	0.03	22.32	0.11	22.09	0.15	1.25	1.23
1860.38	1.51	0.02	1.71	0.02	0.22	0.02	21.60	0.13	20.95	0.12	1.22	1.19
1965.34	1.47	0.04	1.67	0.01	0.22	0.06	21.50	0.19	20.84	0.12	1.23	1.16

