

FMW-4304

Dec. 2011

Schottky Barrier Rectifier

General Description

FMW-4304 is a Schottky Barrier Diode, and has achieved low leakage current and low VF by selecting the best barrier metal.

Applications

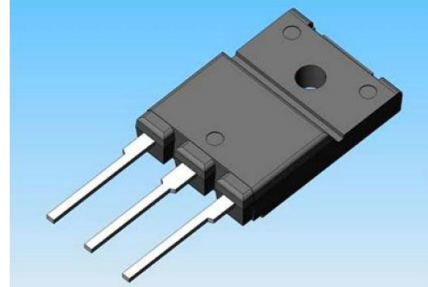
- DC-DC converters
- AC adapter
- High frequency rectification circuit

Features

- Super-high speed & low noise switching.
- Low forward voltage drop.

Package

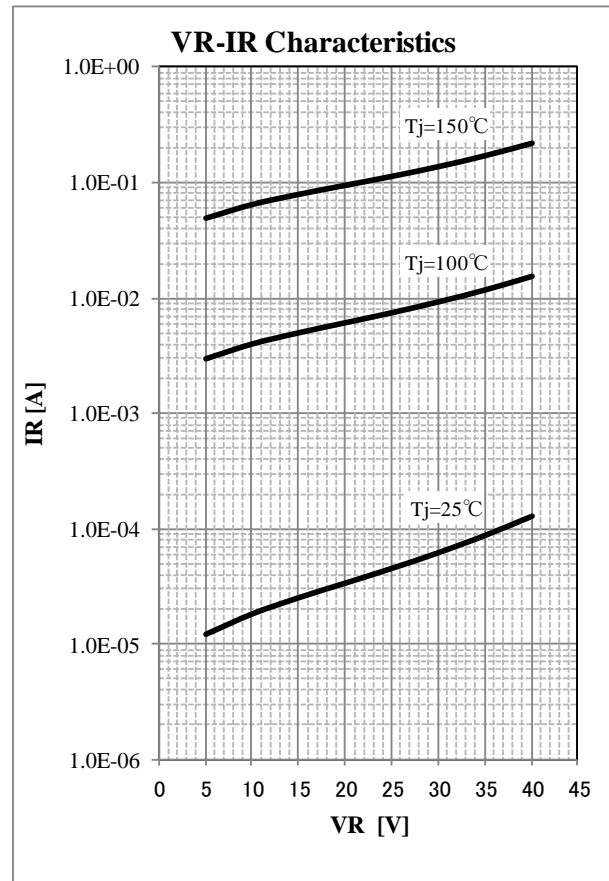
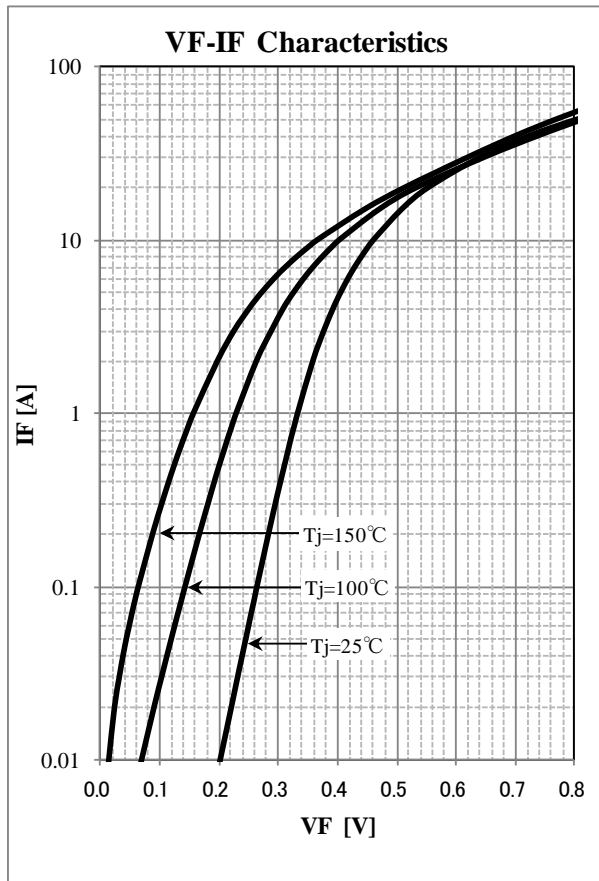
TO-3PF



Key Specifications

Item	Unit	Rating	Conditions
V_{RM}	V	40	
V_F	V	0.55	$I_F=15A$
$I_{F(AV)}$	A	30	

Typical Characteristics



The information included herein is believed to be accurate and reliable. However, SANKEN ELECTRIC CO., LTD assumes no responsibility for its use ; nor for any infringements of patents or other rights of third parties that may result from its use.

FMW-4304

Dec. 2011

Schottky Barrier Rectifier

★ Absolute maximum ratings

No.	Item	Symbol	Unit	Rating	Conditions
1	Transient Peak Reverse Voltage	V_{RSM}	V	40	
2	Peak Reverse Voltage	V_{RM}	V	40	
3	Average Forward Current	$I_{F(AV)}$	A	30	Refer to Derating of page.3
4	Peak Surge Forward Current	I_{FSM}	A	150	10msec. Half sinewave, one shot
5	I^2t Limiting Value	I^2t	A^2s	112.5	$1msec \leq t \leq 10msec$
6	Junction Temperature	T_j	°C	-40 to +150	
7	Storage Temperature	T_{stg}	°C	-40 to +190	

No.1,2,4&5 show ratings per one chip

★ Electrical characteristics($T_a=25^\circ C$, unless otherwise specified)

No.	Item	Symbol	Unit	Value	Conditions
1	Forward Voltage Drop	V_F	V	0.55 max.	$I_F=15A$
2	Reverse Leakage Current	I_R	mA	1.5 max.	$V_R=V_{RM}$
3	Reverse Leakage Current Under High Temperature	$H \cdot I_R$	mA	500 max.	$V_R=V_{RM}, T_j=150^\circ C$
4	Thermal Resistance	$R_{th(j-\phi)}$	°C/W	2.0 max.	Between Junction and case

No.1,2,&3 show characteristics per one chip.

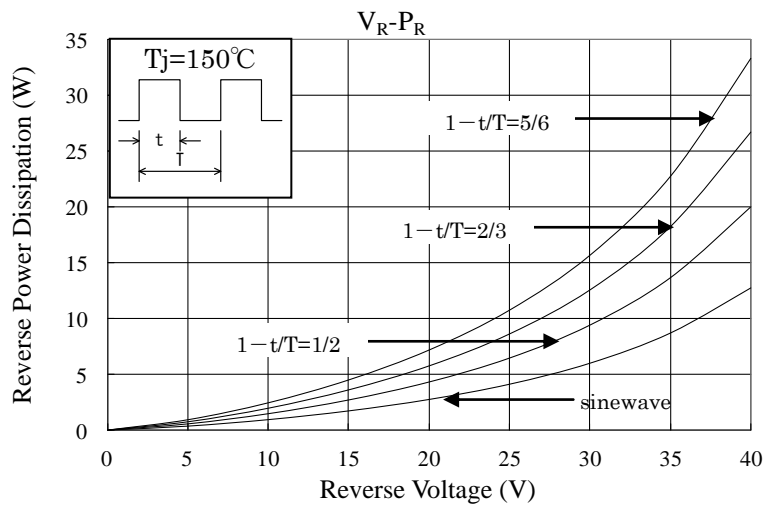
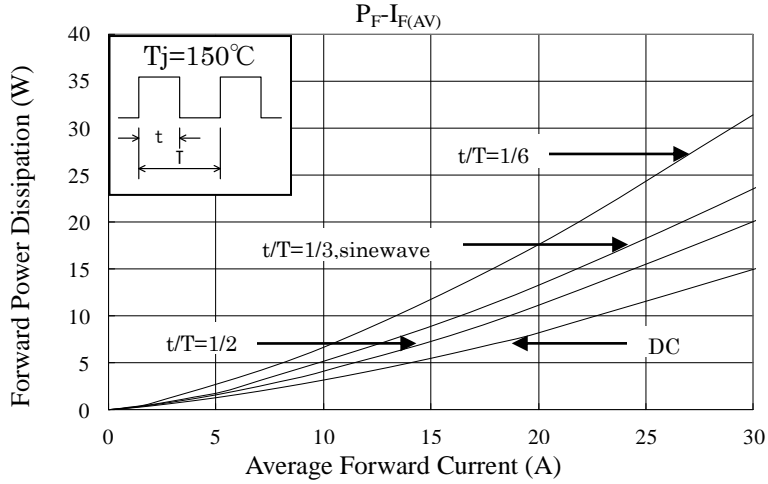
The information included herein is believed to be accurate and reliable. However, SANKEN ELECTRIC CO., LTD assumes no responsibility for its use ; nor for any infringements of patents or other rights of third parties that may result from its use.

FMW-4304

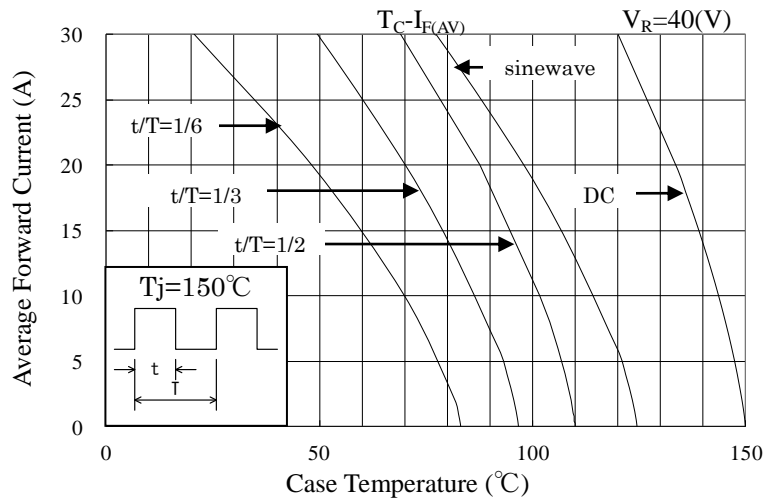
Dec. 2011

Schottky Barrier Rectifier

★ **Characteristics**



★ **Derating**

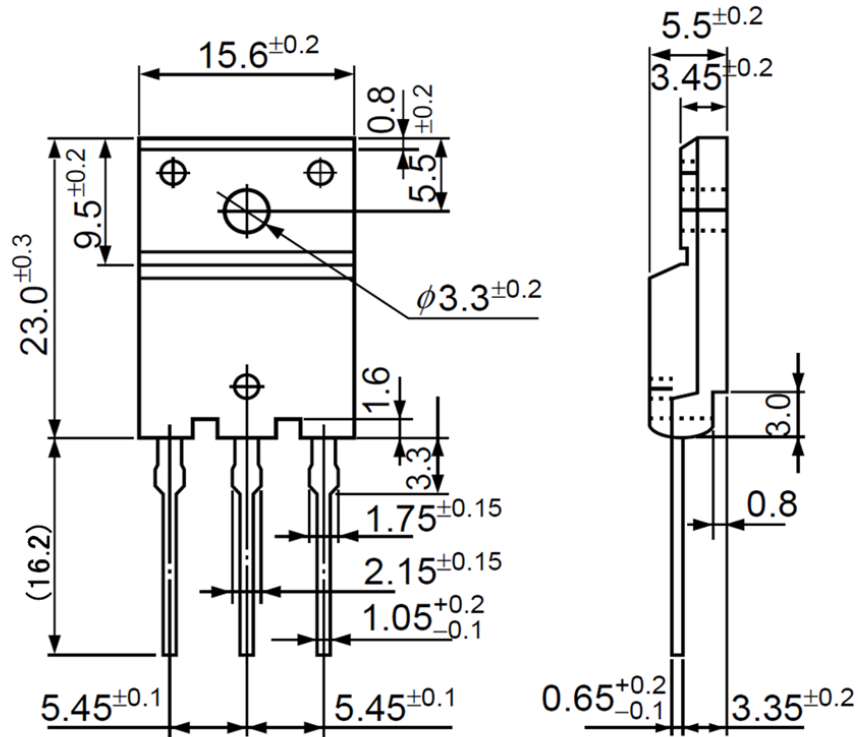


FMW-4304

Dec. 2011

Schottky Barrier Rectifier

★ Package information, mm



★ Connection Diagram

