

Using the V_{BB} Reference on High Speed LVDS Repeaters

Abstract

Fairchild's LVDS 2, 4, and 8-port repeaters are designed for high speed interconnects providing low Electromagnetic Interference (EMI) and low power dissipation at data rates up to 1.2Gb/s. The devices accept and generate LVDS levels with a typical output voltage of 330 mV. The devices are designed with a V_{BB} output reference voltage for AC coupling on the inputs. This application brief will discuss when to use AC coupling in an interconnect design and illustrate how to use the V_{BB} reference feature for optimizing the link.

Output Reference Voltage (V_{BB})

The V_{BB} reference is a design feature of Fairchild's LVDS repeaters which is simply a DC voltage reference used in applications employing AC coupling on the inputs. It is an internally generated DC voltage bias output that sources up to 275 μA of current. Test conditions used to characterize this feature were with V_{CC} = 3.3V and an

I_{BB} = 0 to -275 μA to guarantee minimum and maximum limits of 1.125V and 1.375V respectively. The V_{BB} pin does not have to be used and can be left floating.

When would the V_{BB} Reference Voltage be used?

Application specific requirements will determine whether the V_{BB} reference is needed. Typically when AC coupling is used to couple a transmitted differential signal to a receiver, the coupling capacitor blocks DC and thus the offset is no longer present at the receiver input. By connecting the V_{BB} output reference voltage between a split termination, it effectively provides a common mode voltage point for the differential signals. Refer to Figure 1 for the V_{BB} connection diagrams. The capacitor from V_{BB} pin to ground is used to stabilize the common mode voltage point. The value of the capacitor will be dependent on the specific application environment.

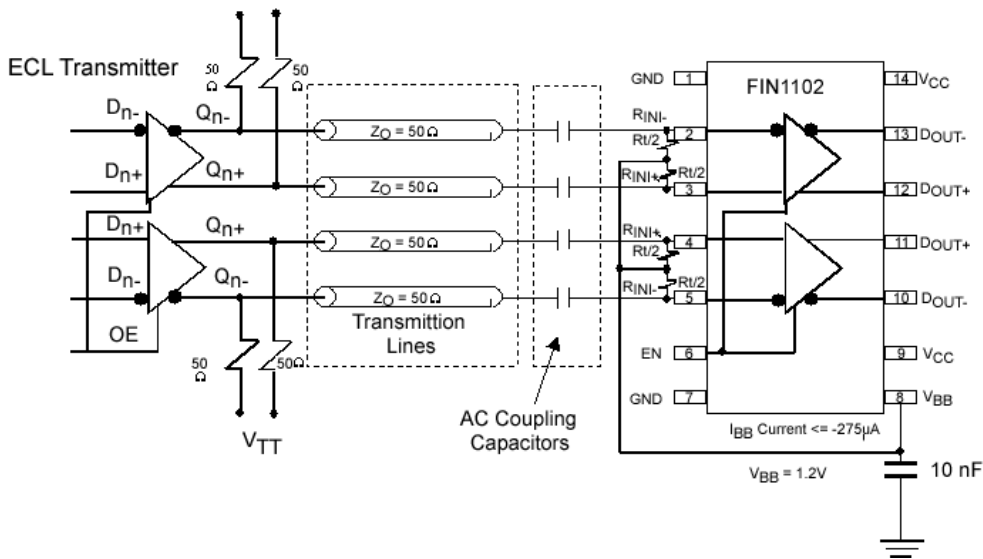


FIGURE 1. AC Coupling ECL to LVDS using the Output Reference Voltage (V_{BB})

Why AC-couple a Signal?

There are several reasons a designer would consider AC-coupling a signal, some of which include the following:

1. For interchangeability between different logic families with different switching thresholds it may be necessary to change the DC bias level to be compatible with the switching thresholds of the receiving device.
2. To couple differential signals transmitted between equipment with no DC connection required between the chassis. This will allow easier reception of the signals by the receiver without concern of the common-mode voltage range.

AC coupling is typically used only with binary signals having an equal number of ones and zeros such as clocks with a 50% duty cycle. A signal with DC balance is referred to as a signal having an equal number of ones and zeros. Without a DC bias, the receiver will not respond since the internal circuitry has no DC operation point, effectively never allowing the input transistors to bias up.

Summary

This application brief provides guidance for using the V_{BB} output reference feature on Fairchild's LVDS repeaters. V_{BB} can ease interchangeability and interfacing between different signaling standards.

Fairchild does not assume any responsibility for use of any circuitry described, no circuit patent licenses are implied and Fairchild reserves the right at any time without notice to change said circuitry and specifications.

LIFE SUPPORT POLICY

FAIRCHILD'S PRODUCTS ARE NOT AUTHORIZED FOR USE AS CRITICAL COMPONENTS IN LIFE SUPPORT DEVICES OR SYSTEMS WITHOUT THE EXPRESS WRITTEN APPROVAL OF THE PRESIDENT OF FAIRCHILD SEMICONDUCTOR CORPORATION. As used herein:

1. Life support devices or systems are devices or systems which, (a) are intended for surgical implant into the body, or (b) support or sustain life, and (c) whose failure to perform when properly used in accordance with instructions for use provided in the labeling, can be reasonably expected to result in a significant injury to the user.
2. A critical component in any component of a life support device or system whose failure to perform can be reasonably expected to cause the failure of the life support device or system, or to affect its safety or effectiveness.

www.fairchildsemi.com