

## LM1117 800mA Low-Dropout Linear Regulator

### General Description

The LM1117 is a series of low dropout voltage regulators with a dropout of 1.2V at 800mA of load current. It has the same pin-out as National Semiconductor's industry standard LM317.

The LM1117 is available in an adjustable version, which can set the output voltage from 1.25V to 13.8V with only two external resistors. In addition, it is also available in three fixed voltages, 2.85V, 3.3V, and 5V.

The LM1117 offers current limiting and thermal shutdown. Its circuit includes a zener trimmed bandgap reference to assure output voltage accuracy to within  $\pm 1\%$ .

The LM1117 series is available in SOT-223, TO-220, and TO-252 D-PAK packages. A minimum of 10 $\mu$ F tantalum capacitor is required at the output to improve the transient response and stability.

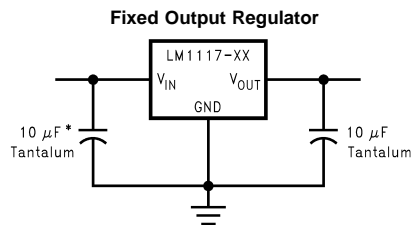
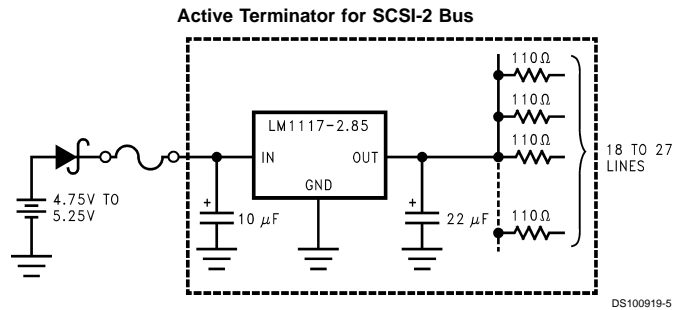
### Features

- Available in 2.85V, 3.3V, 5V, and Adjustable Versions
- Space Saving SOT-223 Package
- Current Limiting and Thermal Protection
- Output Current 800mA
- Temperature Range 0°C to 125°C
- Line Regulation 0.2% (Max)
- Load Regulation 0.4% (Max)

### Applications

- 2.85V Model for SCSI-2 Active Termination
- Post Regulator for Switching DC/DC Converter
- High Efficiency Linear Regulators
- Battery Charger
- Battery Powered Instrumentation

### Typical Application

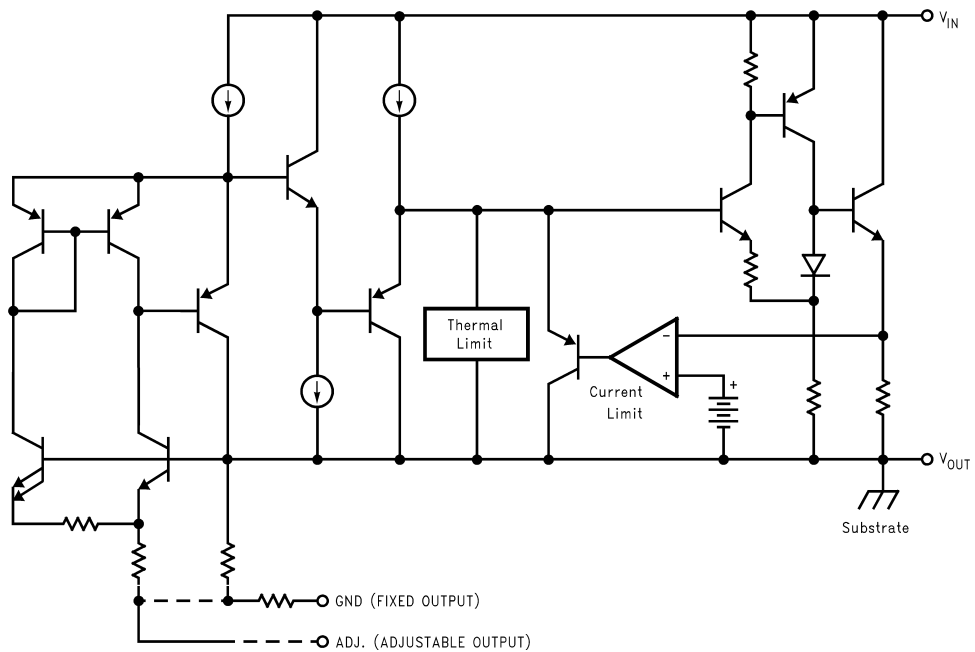


\* Required if the regulator is located far from the power supply filter.  
DS100919-2B

## Ordering Information

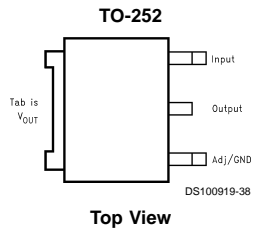
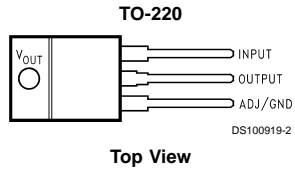
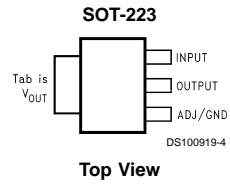
| Package        | Temperature Range | Packaging Marking | Transport Media | NSC Drawing |
|----------------|-------------------|-------------------|-----------------|-------------|
|                | 0°C to +125°C     |                   |                 |             |
| 3-lead SOT-223 | LM1117MPX-ADJ     | N03A              | Tape and Reel   | MA04A       |
|                | LM1117MPX-2.85    | N04A              | Tape and Reel   |             |
|                | LM1117MPX-3.3     | N05A              | Tape and Reel   |             |
|                | LM1117MPX-5.0     | N06A              | Tape and Reel   |             |
| 3-lead TO-220  | LM1117T-ADJ       | LM1117T-ADJ       | Rails           | T03B        |
|                | LM1117T-2.85      | LM1117T-2.85      | Rails           |             |
|                | LM1117T-3.3       | LM1117T-3.3       | Rails           |             |
|                | LM1117T-5.0       | LM1117T-5.0       | Rails           |             |
| 3-lead TO-252  | LM1117DTX-ADJ     | LM1117DT-ADJ      | Tape and Reel   | TD03B       |
|                | LM1117DTX-2.85    | LM1117DT-2.85     | Tape and Reel   |             |
|                | LM1117DTX-3.3     | LM1117DT-3.3      | Tape and Reel   |             |
|                | LM1117DTX-5.0     | LM1117DT-5.0      | Tape and Reel   |             |

## Block Diagram



DS100919-1

## Connection Diagrams



## Absolute Maximum Ratings (Note 1)

If Military/Aerospace specified devices are required, please contact the National Semiconductor Sales Office/Distributors for availability and specifications.

|  |                    |
|--|--------------------|
| Maximum Input Voltage ( $V_{IN}$ to GND) |                    |
| LM1117-ADJ, LM1117-3.3, LM1117-5.0       | 20V                |
| Power Dissipation (Note 2)               | Internally Limited |
| Junction Temperature ( $T_J$ ) (Note 2)  | 150°C              |
| Storage Temperature Range                | -65°C to 150°C     |

|                        |               |
|------------------------|---------------|
| TO-220 (T) Package     | 260°C, 10 sec |
| SOT-223 (IMP) Package  | 260°C, 4 sec  |
| ESD Tolerance (Note 3) | 2000V         |

## Operating Ratings (Note 1)

|   |              |
|---|--------------|
| Input Voltage ( $V_{IN}$ to GND)              |              |
| LM1117-ADJ, LM1117-3.3, LM1117-5.0            | 15V          |
| LM1117-2.85                                   | 10V          |
| Junction Temperature Range ( $T_J$ ) (Note 2) | 0°C to 125°C |

Lead Temperature

## Electrical Characteristics

Typicals and limits appearing in normal type apply for  $T_J = 25^\circ\text{C}$ . Limits appearing in **Boldface** type apply over the entire junction temperature range for operation, 0°C to 125°C.

| Symbol           | Parameter                     | Conditions   | Min (Note 5) | Typ (Note 4) | Max (Note 5) | Units |
|------------------|-------------------------------|--|--------------|--------------|--------------|-------|
| $V_{REF}$        | Reference Voltage             | LM1117-ADJ<br>$I_{OUT}=10\text{mA}$ , $V_{IN}-V_{OUT}=2\text{V}$ , $T_J=25^\circ\text{C}$<br>$10\text{mA} \leq I_{OUT} \leq 800\text{mA}$ , $1.4\text{V} \leq V_{IN}-V_{OUT} \leq 10\text{V}$  | 1.238        | 1.250        | 1.262        | V     |
|                  |                               |  | <b>1.225</b> | 1.250        | <b>1.270</b> | V     |
| $V_{OUT}$        | Output Voltage                | LM1117-2.85<br>$I_{OUT}=10\text{mA}$ , $V_{IN}=4.85\text{V}$ , $T_J=25^\circ\text{C}$<br>$0 \leq I_{OUT} \leq 800\text{mA}$ , $4.25\text{V} \leq V_{IN} \leq 10\text{V}$<br>$0 \leq I_{OUT} \leq 500\text{mA}$ , $V_{IN}=4.10\text{V}$ | 2.820        | 2.850        | 2.880        | V     |
|                  |                               |  | <b>2.790</b> | 2.850        | <b>2.910</b> | V     |
|                  |                               |  | <b>2.790</b> | 2.850        | <b>2.910</b> | V     |
|                  |                               | LM1117-3.3<br>$I_{OUT}=10\text{mA}$ , $V_{IN}=5\text{V}$ , $T_J=25^\circ\text{C}$<br>$0 \leq I_{OUT} \leq 800\text{mA}$ , $4.75\text{V} \leq V_{IN} \leq 10\text{V}$   | 3.267        | 3.300        | 3.333        | V     |
|                  |                               |  | <b>3.235</b> | 3.300        | <b>3.365</b> | V     |
| $\Delta V_{OUT}$ | Line Regulation (Note 6)      | LM1117-ADJ<br>$I_{OUT}=10\text{mA}$ , $1.5\text{V} \leq V_{IN}-V_{OUT} \leq 13.75\text{V}$   |              | 0.035        | <b>0.2</b>   | %     |
|                  |                               | LM1117-2.85<br>$I_{OUT}=0\text{mA}$ , $4.25\text{V} \leq V_{IN} \leq 10\text{V}$   |              | 1            | <b>6</b>     | mV    |
|                  |                               | LM1117-3.3<br>$I_{OUT}=0\text{mA}$ , $4.75\text{V} \leq V_{IN} \leq 15\text{V}$  |              | 1            | <b>6</b>     | mV    |
|                  |                               | LM1117-5.0<br>$I_{OUT}=0\text{mA}$ , $6.5\text{V} \leq V_{IN} \leq 15\text{V}$   |              | 1            | <b>10</b>    | mV    |
| $\Delta V_{OUT}$ | Load Regulation (Note 6)      | LM1117-ADJ<br>$V_{IN}-V_{OUT}=3\text{V}$ , $10 \leq I_{OUT} \leq 800\text{mA}$   |              | 0.2          | <b>0.4</b>   | %     |
|                  |                               | LM1117-2.85<br>$V_{IN}=4.25\text{V}$ , $0 \leq I_{OUT} \leq 800\text{mA}$  |              | 1            | <b>10</b>    | mV    |
|                  |                               | LM1117-3.3<br>$V_{IN}=4.75\text{V}$ , $0 \leq I_{OUT} \leq 800\text{mA}$   |              | 1            | <b>10</b>    | mV    |
|                  |                               | LM1117-5.0<br>$V_{IN}=6.5\text{V}$ , $0 \leq I_{OUT} \leq 800\text{mA}$  |              | 1            | <b>15</b>    | mV    |
| $V_{IN}-V_{OUT}$ | Dropout Voltage (Note 7)      | $I_{OUT}=100\text{mA}$   |              | 1.10         | <b>1.20</b>  | V     |
|                  |                               | $I_{OUT}=500\text{mA}$   |              | 1.15         | <b>1.25</b>  | V     |
|                  |                               | $I_{OUT}=800\text{mA}$   |              | 1.20         | <b>1.30</b>  | V     |
| $I_{LIMIT}$      | Current Limit                 | $V_{IN}-V_{OUT}=5\text{V}$ , $T_J=25^\circ\text{C}$  | 800          | 1200         | 1500         | mA    |
|                  | Minimum Load Current (Note 8) | LM1117-ADJ<br>$V_{IN}=15\text{V}$  |              | 1.7          | <b>5</b>     | mA    |

## Electrical Characteristics (Continued)

Typicals and limits appearing in normal type apply for  $T_J = 25^\circ\text{C}$ . Limits appearing in **Boldface** type apply over the entire junction temperature range for operation,  $0^\circ\text{C}$  to  $125^\circ\text{C}$ .

| Symbol | Parameter  | Conditions   | Min<br>(Note 5) | Typ<br>(Note 4) | Max<br>(Note 5) | Units              |
|--------|--|--|-----------------|-----------------|-----------------|--------------------|
|        | Quiescent Current  | LM1117-2.85<br>$V_{IN} \leq 10\text{V}$  |                 | 5               | <b>10</b>       | mA                 |
|        |  | LM1117-3.3<br>$V_{IN} \leq 15\text{V}$   |                 | 5               | <b>10</b>       | mA                 |
|        |  | LM1117-5.0<br>$V_{IN} \leq 15\text{V}$   |                 |                 | 5               | <b>10</b>          |
|        | Thermal Regulation   | $T_A = 25^\circ\text{C}$ , 30ms Pulse  |                 | 0.01            | 0.1             | %/W                |
|        | Ripple Regulation  | $f_{\text{RIPPLE}} = 120\text{Hz}$ , $V_{IN} - V_{OUT} = 3\text{V}$<br>$V_{\text{RIPPLE}} = 1\text{V}_{\text{PP}}$ | <b>60</b>       | 75              |                 | dB                 |
|        | Adjust Pin Current   |  |                 | 60              | <b>120</b>      | $\mu\text{A}$      |
|        | Adjust Pin Current Change  | $10 \leq I_{OUT} \leq 800\text{mA}$ ,<br>$1.4\text{V} \leq V_{IN} - V_{OUT} \leq 10\text{V}$                       |                 | 0.2             | <b>5</b>        | $\mu\text{A}$      |
|        | Temperature Stability  |  |                 | 0.5             |                 | %                  |
|        | Long Term Stability  | $T_A = 125^\circ\text{C}$ , 1000Hrs  |                 | 0.3             |                 | %                  |
|        | RMS Output Noise   | (% of $V_{OUT}$ ), $10\text{Hz} \leq f \leq 10\text{kHz}$  |                 | 0.003           |                 | %                  |
|        | Thermal Resistance Junction-to-Case                                      | 3-Lead SOT-223   |                 | 15.0            |                 | $^\circ\text{C/W}$ |
|        |  | 3-Lead TO-220  |                 | 3.0             |                 | $^\circ\text{C/W}$ |
|        |  | 3-Lead TO-252  |                 | 10              |                 | $^\circ\text{C/W}$ |
|        | Thermal Resistance Junction-to-Ambient<br>(No heat sink;<br>No air flow) | 3-Lead SOT-223   |                 | 136             |                 | $^\circ\text{C/W}$ |
|        |  | 3-Lead TO-220  |                 | 79              |                 | $^\circ\text{C/W}$ |
|        |  | 3-Lead TO-252(Note 9)  |                 | 92              |                 | $^\circ\text{C/W}$ |

**Note 1:** Absolute Maximum Ratings indicate limits beyond which damage to the device may occur. Operating Ratings indicate conditions for which the device is intended to be functional, but specific performance is not guaranteed. For guaranteed specifications and the test conditions, see the Electrical Characteristics.

**Note 2:** The maximum power dissipation is a function of  $T_{J(\text{max})}$ ,  $\theta_{JA}$ , and  $T_A$ . The maximum allowable power dissipation at any ambient temperature is  $P_D = (T_{J(\text{max})} - T_A) / \theta_{JA}$ . All numbers apply for packages soldered directly into a PC board.

**Note 3:** For testing purposes, ESD was applied using human body model,  $1.5\text{k}\Omega$  in series with  $100\text{pF}$ .

**Note 4:** Typical Values represent the most likely parametric norm.

**Note 5:** All limits are guaranteed by testing or statistical analysis.

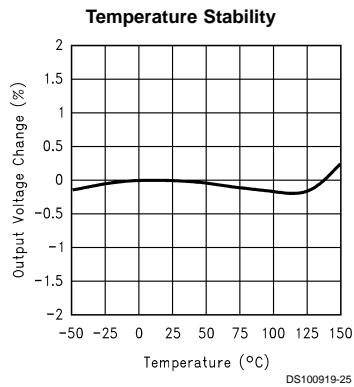
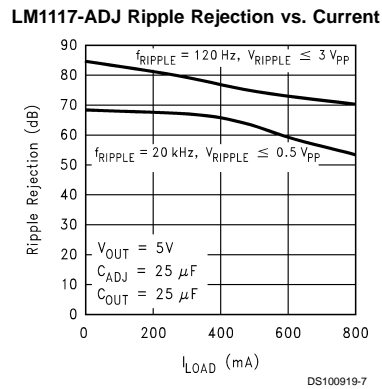
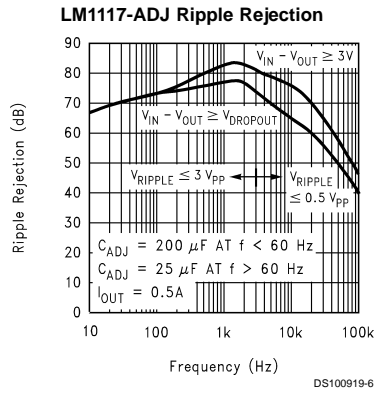
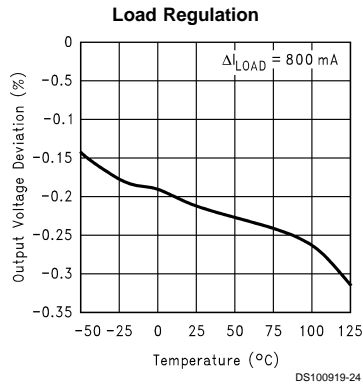
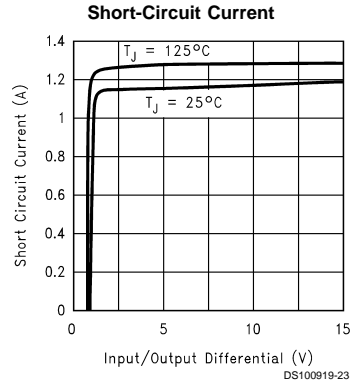
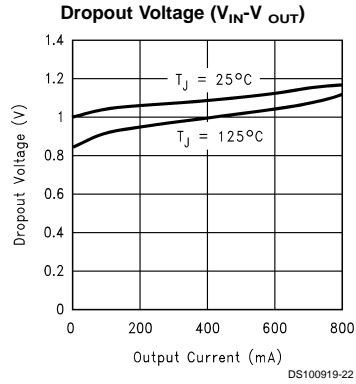
**Note 6:** Load and line regulation are measured at constant junction room temperature.

**Note 7:** The dropout voltage is the input/output differential at which the circuit ceases to regulate against further reduction in input voltage. It is measured when the output voltage has dropped  $100\text{mV}$  from the nominal value obtained at  $V_{IN} = V_{OUT} + 1.5\text{V}$ .

**Note 8:** The minimum output current required to maintain regulation.

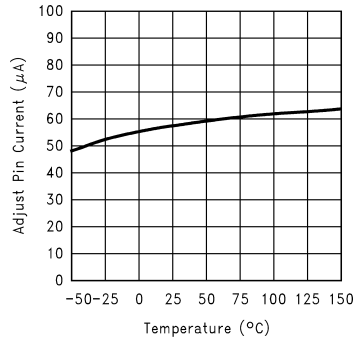
**Note 9:** Minimum pad size of  $0.038\text{in}^2$

## Typical Performance Characteristics

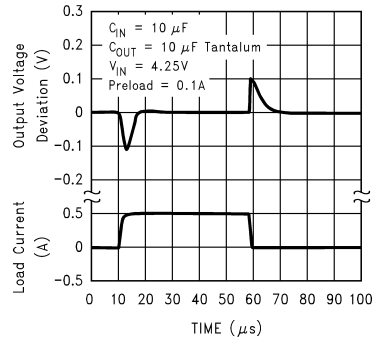


## Typical Performance Characteristics (Continued)

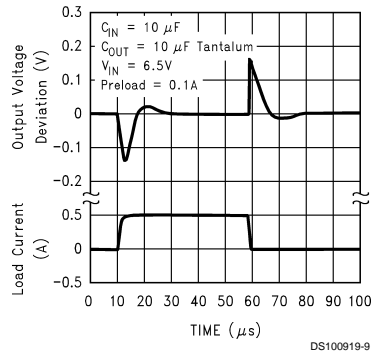
**Adjust Pin Current**



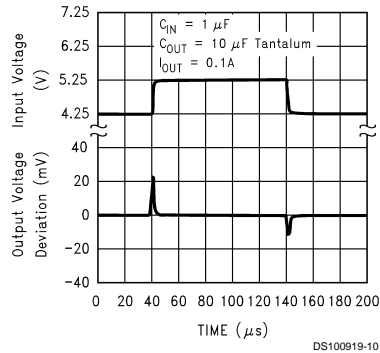
**LM1117-2.85 Load Transient Response**



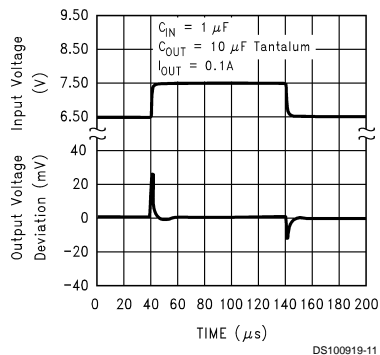
**LM1117-5.0 Load Transient Response**



**LM1117-2.85 Line Transient Response**



**LM1117-5.0 Line Transient Response**



## APPLICATION NOTE

### 1.0 External Capacitors/Stability

#### 1.1 Input Bypass Capacitor

An input capacitor is recommended. A 10 $\mu$ F tantalum on the input is a suitable input bypassing for almost all applications.

#### 1.2 Adjust Terminal Bypass Capacitor

The adjust terminal can be bypassed to ground with a bypass capacitor ( $C_{ADJ}$ ) to improve ripple rejection. This bypass capacitor prevents ripple from being amplified as the output voltage is increased. At any ripple frequency, the impedance of the  $C_{ADJ}$  should be less than  $R1$  to prevent the ripple from being amplified:

$$(2\pi \cdot f_{RIPPLE} \cdot C_{ADJ}) < R1$$

The  $R1$  is the resistor between the output and the adjust pin. Its value is normally in the range of 100-200 $\Omega$ . For example, with  $R1=124\Omega$  and  $f_{RIPPLE}=120\text{Hz}$ , the  $C_{ADJ}$  should be > 11 $\mu$ F.

#### 1.3 Output Capacitor

The output capacitor is critical in maintaining regulator stability, and must meet the required conditions for both minimum amount of capacitance and ESR (Equivalent Series Resistance). The minimum output capacitance required by the LM1117 is 10 $\mu$ F, if a tantalum capacitor is used. Any increase of the output capacitance will merely improve the loop stability and transient response. The ESR of the output capacitor should be less than 0.5 $\Omega$ . In the case of the adjustable regulator, when the  $C_{ADJ}$  is used, a larger output capacitance (22 $\mu$ F tantalum) is required.

### 2.0 Output Voltage

The LM1117 adjustable version develops a 1.25V reference voltage,  $V_{REF}$ , between the output and the adjust terminal. As shown in *Figure 1*, this voltage is applied across resistor  $R1$  to generate a constant current  $I1$ . The current  $I_{ADJ}$  from the adjust terminal could introduce error to the output. But since it is very small (60 $\mu$ A) compared with the  $I1$  and very constant with line and load changes, the error can be ignored. The constant current  $I1$  then flows through the output set resistor  $R2$  and sets the output voltage to the desired level.

For fixed voltage devices,  $R1$  and  $R2$  are integrated inside the devices.

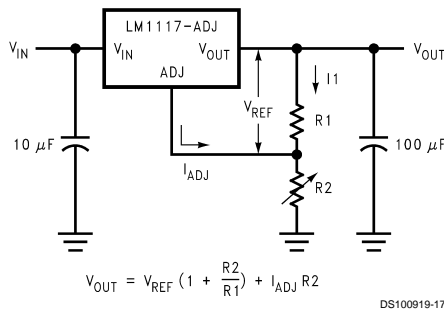


FIGURE 1. Basic Adjustable Regulator

### 3.0 Load Regulation

The LM1117 regulates the voltage that appears between its output and ground pins, or between its output and adjust pins. In some cases, line resistances can introduce errors to the voltage across the load. To obtain the best load regulation, a few precautions are needed.

*Figure 2*, shows a typical application using a fixed output regulator. The  $Rt1$  and  $Rt2$  are the line resistances. It is obvious that the  $V_{LOAD}$  is less than the  $V_{OUT}$  by the sum of the voltage drops along the line resistances. In this case, the load regulation seen at the  $R_{LOAD}$  would be degraded from the data sheet specification. To improve this, the load should be tied directly to the output terminal on the positive side and directly tied to the ground terminal on the negative side.

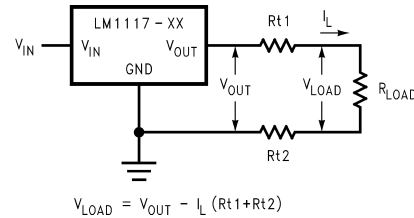


FIGURE 2. Typical Application using Fixed Output Regulator

When the adjustable regulator is used (*Figure 3*), the best performance is obtained with the positive side of the resistor  $R1$  tied directly to the output terminal of the regulator rather than near the load. This eliminates line drops from appearing effectively in series with the reference and degrading regulation. For example, a 5V regulator with 0.05 $\Omega$  resistance between the regulator and load will have a load regulation due to line resistance of 0.05 $\Omega$   $\times$   $I_L$ . If  $R1$  (=125 $\Omega$ ) is connected near the load, the effective line resistance will be 0.05 $\Omega$  (1+ $R2/R1$ ) or in this case, it is 4 times worse. In addition, the ground side of the resistor  $R2$  can be returned near the ground of the load to provide remote ground sensing and improve load regulation.

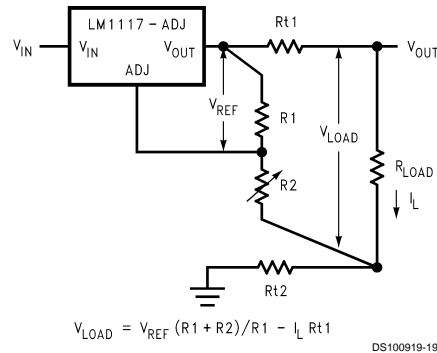


FIGURE 3. Best Load Regulation using Adjustable Output Regulator

### 4.0 Protection Diodes

Under normal operation, the LM1117 regulators do not need any protection diode. With the adjustable device, the internal resistance between the adjust and output terminals limits the current. No diode is needed to divert the current around the regulator even with capacitor on the adjust terminal. The adjust pin can take a transient signal of  $\pm 25\text{V}$  with respect to the output voltage without damaging the device.

When an output capacitor is connected to a regulator and the input is shorted to ground, the output capacitor will discharge



## APPLICATION NOTE (Continued)

into the output of the regulator. The discharge current depends on the value of the capacitor, the output voltage of the regulator, and rate of decrease of  $V_{IN}$ . In the LM1117 regulators, the internal diode between the output and input pins can withstand microsecond surge currents of 10A to 20A. With an extremely large output capacitor ( $\geq 1000 \mu\text{F}$ ), and with input instantaneously shorted to ground, the regulator could be damaged.

In this case, an external diode is recommended between the output and input pins to protect the regulator, as shown in Figure 4.

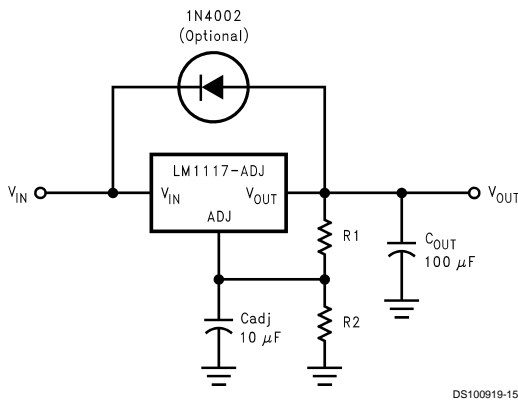


FIGURE 4. Regulator with Protection Diode

### 5.0 Heatsink Requirements

When an integrated circuit operates with an appreciable current, its junction temperature is elevated. It is important to quantify its thermal limits in order to achieve acceptable performance and reliability. This limit is determined by summing the individual parts consisting of a series of temperature rises from the semiconductor junction to the operating environment. A one-dimensional steady-state model of conduction heat transfer is demonstrated in Figure 5. The heat generated at the device junction flows through the die to the die attach pad, through the lead frame to the surrounding case material, to the printed circuit board, and eventually to the ambient environment. Below is a list of variables that may affect the thermal resistance and in turn the need for a heat-sink.

| $R^{th}_{JC}$ (Component Variables) | $R^{th}_{CA}$ (Application Variables)   |
|-------------------------------------|---|
| Leadframe Size & Material           | Mounting Pad Size, Material, & Location |
| No. of Conduction Pins              | Placement of Mounting Pad               |
| Die Size                            | PCB Size & Material                     |
| Die Attach Material                 | Traces Length & Width                   |
| Molding Compound Size and Material  | Adjacent Heat Sources                   |
|                                     | Volume of Air                           |
|                                     | Ambient Temperature                     |
|                                     | Shape of Mounting Pad                   |

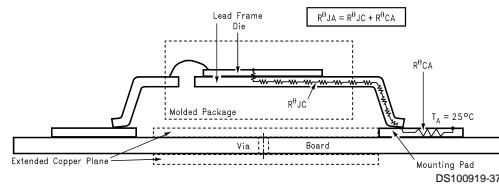


FIGURE 5. Cross-sectional view of Integrated Circuit Mounted on a printed circuit board. Note that the case temperature is measured at the point where the leads contact with the mounting pad surface

The LM1117 regulators have internal thermal shutdown to protect the device from over-heating. Under all possible operating conditions, the junction temperature of the LM1117 must be within the range of  $0^{\circ}\text{C}$  to  $125^{\circ}\text{C}$ . A heatsink may be required depending on the maximum power dissipation and maximum ambient temperature of the application. To determine if a heatsink is needed, the power dissipated by the regulator,  $P_D$ , must be calculated:

$$I_{IN} = I_L + I_G$$

$$P_D = (V_{IN} - V_{OUT}) I_L + V_{IN} I_G$$

Figure 6 shows the voltages and currents which are present in the circuit.

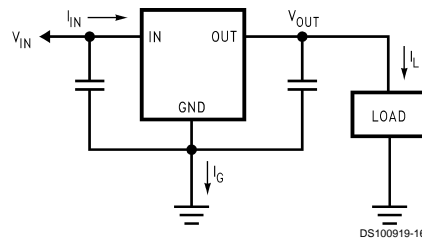


FIGURE 6. Power Dissipation Diagram

## APPLICATION NOTE (Continued)

The next parameter which must be calculated is the maximum allowable temperature rise,  $T_R(\max)$ :

$$T_R(\max) = T_J(\max) - T_A(\max)$$

where  $T_J(\max)$  is the maximum allowable junction temperature (125°C), and  $T_A(\max)$  is the maximum ambient temperature which will be encountered in the application.

Using the calculated values for  $T_R(\max)$  and  $P_D$ , the maximum allowable value for the junction-to-ambient thermal resistance ( $\theta_{JA}$ ) can be calculated:

$$\theta_{JA} = T_R(\max) / P_D$$

If the maximum allowable value for  $\theta_{JA}$  is found to be  $\geq 136^\circ\text{C/W}$  for SOT-223 package or  $\geq 79^\circ\text{C/W}$  for TO-220 package or  $\geq 92^\circ\text{C/W}$  for TO-252 package, no heatsink is

needed since the package alone will dissipate enough heat to satisfy these requirements. If the calculated value for  $\theta_{JA}$  falls below these limits, a heatsink is required.

As a design aid, *Table 1* shows the value of the  $\theta_{JA}$  of SOT-223 and TO-252 for different heatsink area. The copper patterns that we used to measure these  $\theta_{JA}$ s are shown at the end of the Application Notes Section. *Figure 7* and *Figure 8* reflects the same test results as what are in the *Table 1*

*Figure 9* and *Figure 10* shows the maximum allowable power dissipation vs. ambient temperature for the SOT-223 and TO-252 device. *Figure 11* and *Figure 12* shows the maximum allowable power dissipation vs. copper area (in<sup>2</sup>) for the SOT-223 and TO-252 devices. Please see AN1028 for power enhancement techniques to be used with SOT-223 and TO-252 packages.

TABLE 1.  $\theta_{JA}$  Different Heatsink Area

| Layout | Copper Area                  |                                | Thermal Resistance              |                                |
|--------|------------------------------|--------------------------------|---------------------------------|--------------------------------|
|        | Top Side (in <sup>2</sup> )* | Bottom Side (in <sup>2</sup> ) | ( $\theta_{JA}$ , °C/W) SOT-223 | ( $\theta_{JA}$ , °C/W) TO-252 |
| 1      | 0.0123                       | 0                              | 136                             | 103                            |
| 2      | 0.066                        | 0                              | 123                             | 87                             |
| 3      | 0.3                          | 0                              | 84                              | 60                             |
| 4      | 0.53                         | 0                              | 75                              | 54                             |
| 5      | 0.76                         | 0                              | 69                              | 52                             |
| 6      | 1                            | 0                              | 66                              | 47                             |
| 7      | 0                            | 0.2                            | 115                             | 84                             |
| 8      | 0                            | 0.4                            | 98                              | 70                             |
| 9      | 0                            | 0.6                            | 89                              | 63                             |
| 10     | 0                            | 0.8                            | 82                              | 57                             |
| 11     | 0                            | 1                              | 79                              | 57                             |
| 12     | 0.066                        | 0.066                          | 125                             | 89                             |
| 13     | 0.175                        | 0.175                          | 93                              | 72                             |
| 14     | 0.284                        | 0.284                          | 83                              | 61                             |
| 15     | 0.392                        | 0.392                          | 75                              | 55                             |
| 16     | 0.5                          | 0.5                            | 70                              | 53                             |

\*Tab of device attached to topside copper

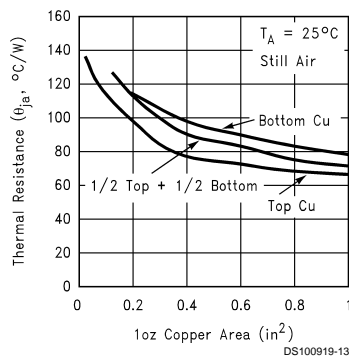


FIGURE 7.  $\theta_{JA}$  vs. 1oz Copper Area for SOT-223

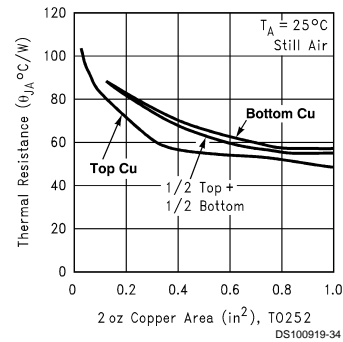
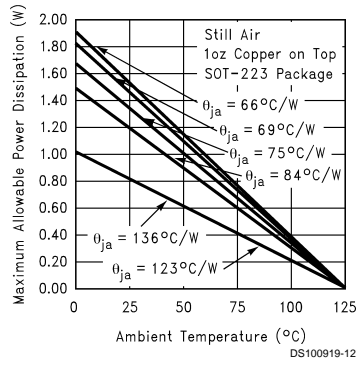
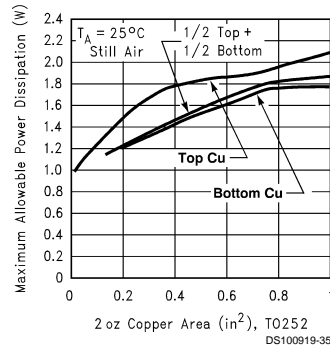


FIGURE 8.  $\theta_{JA}$  vs. 2oz Copper Area for TO-252

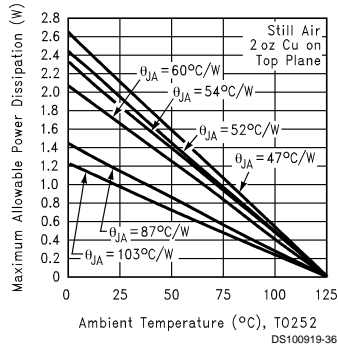
**APPLICATION NOTE** (Continued)



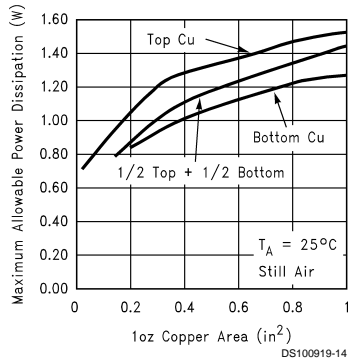
**FIGURE 9. Maximum Allowable Power Dissipation vs. Ambient Temperature for SOT-223**



**FIGURE 12. Maximum Allowable Power Dissipation vs. 2oz Copper Area for TO-252**



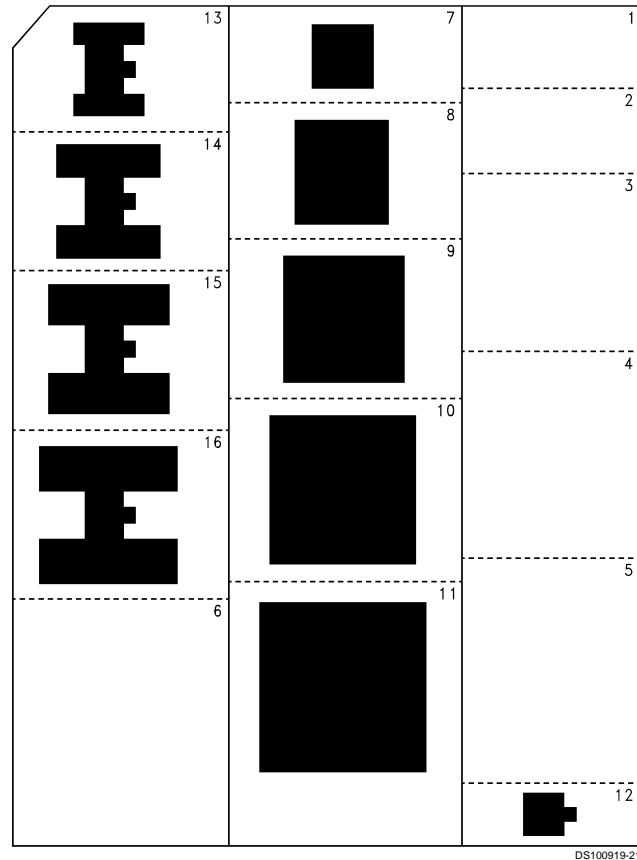
**FIGURE 10. Maximum Allowable Power Dissipation vs. Ambient Temperature for TO-252**



**FIGURE 11. Maximum Allowable Power Dissipation vs. 1oz Copper Area for SOT-223**

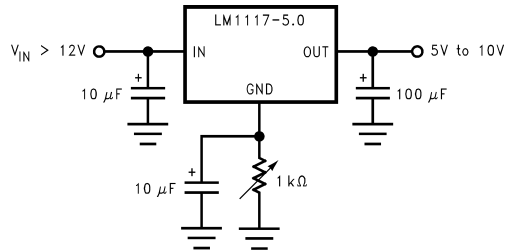


**APPLICATION NOTE** (Continued)



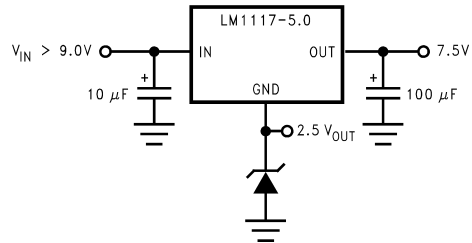
**FIGURE 14. Bottom View of the Thermal Test Pattern in Actual Scale**

## Typical Application Circuits



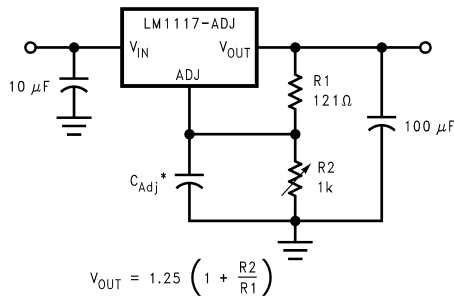
DS100919-30

**Adjusting Output of Fixed Regulators**



DS100919-31

**Regulator with Reference**

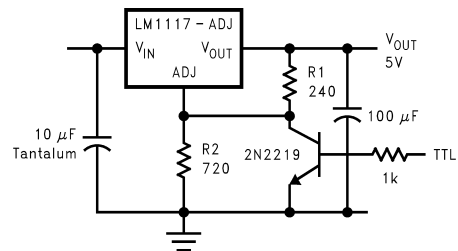


$$V_{OUT} = 1.25 \left( 1 + \frac{R2}{R1} \right)$$

\*  $C_{Adj}$  is optional, however it will improve ripple rejection.

DS100919-29

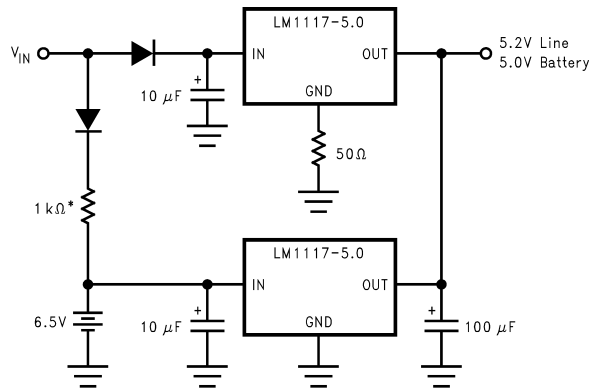
**1.25V to 10V Adjustable Regulator with Improved Ripple Rejection**



\* Min. output  $\approx$  1.25V

DS100919-27

**5V Logic Regulator with Electronic Shutdown\***

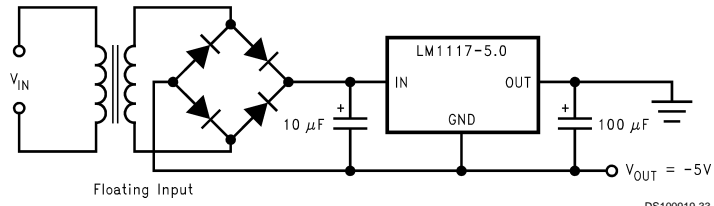


\* Select for charge rate.

DS100919-32

**Battery Backed-Up Regulated Supply**

## Typical Application Circuits (Continued)



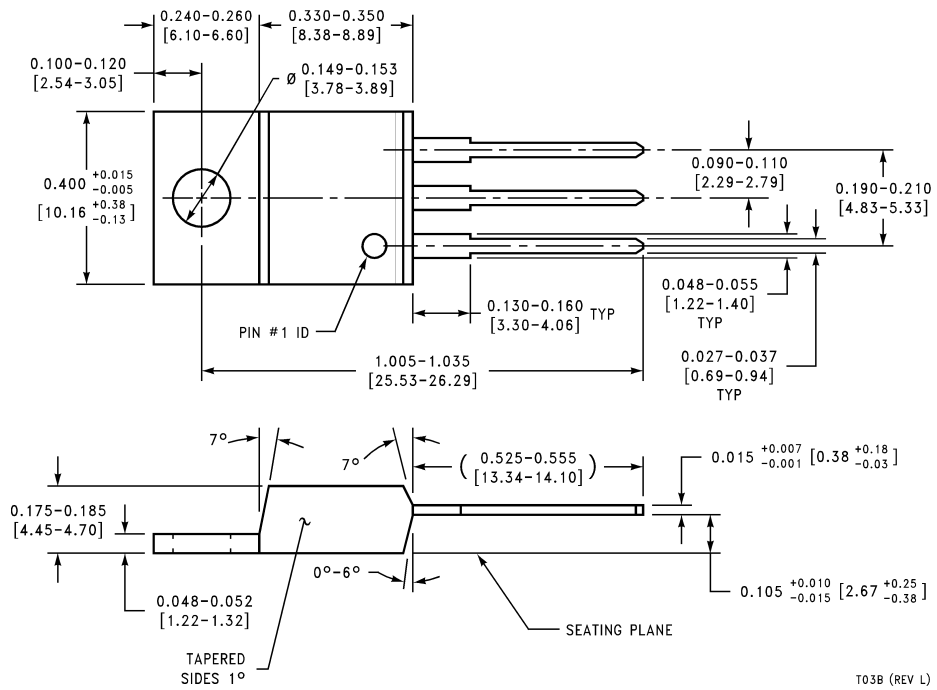
Low Dropout Negative Supply

DS100919-33





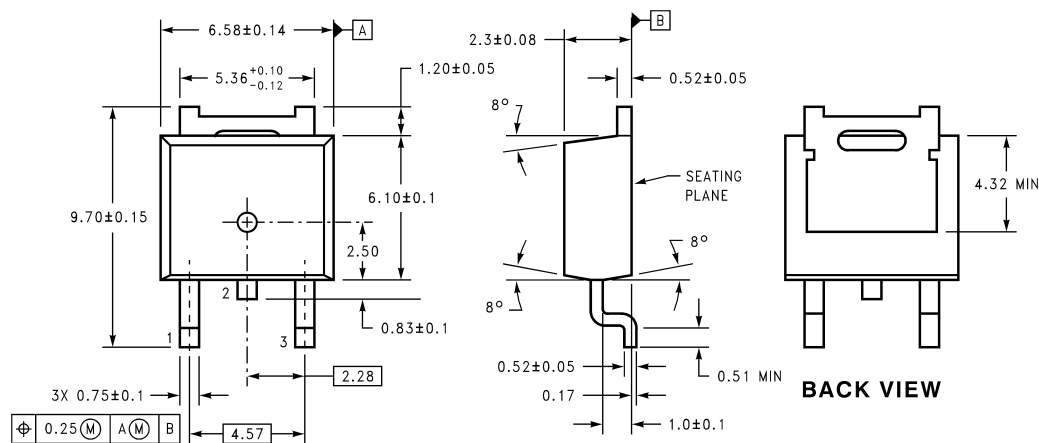
**Physical Dimensions** inches (millimeters) unless otherwise noted (Continued)



T03B (REV L)

**3-Lead TO-220 Package**  
**Order Number LM1117T-ADJ, LM1117T-2.85, LM1117T-3.3, or LM1117T-5.0**  
**NSC Package Number T03B**

**Physical Dimensions** inches (millimeters) unless otherwise noted (Continued)



DIMENSIONS ARE IN MILLIMETERS

T003B (REV A)

3-Lead TO-252 Package  
 Order Number LM1117DT-ADJ, LM1117DT-2.85, LM1117DT-3.3, or LM1117DT-5.0  
 NSC Package Number TD03B

**LIFE SUPPORT POLICY**

NATIONAL'S PRODUCTS ARE NOT AUTHORIZED FOR USE AS CRITICAL COMPONENTS IN LIFE SUPPORT DEVICES OR SYSTEMS WITHOUT THE EXPRESS WRITTEN APPROVAL OF THE PRESIDENT OF NATIONAL SEMICONDUCTOR CORPORATION. As used herein:

1. Life support devices or systems are devices or systems which, (a) are intended for surgical implant into the body, or (b) support or sustain life, and whose failure to perform when properly used in accordance with instructions for use provided in the labeling, can be reasonably expected to result in a significant injury to the user.
2. A critical component is any component of a life support device or system whose failure to perform can be reasonably expected to cause the failure of the life support device or system, or to affect its safety or effectiveness.



**National Semiconductor Corporation**  
 Americas  
 Tel: 1-800-272-9959  
 Fax: 1-800-737-7018  
 Email: support@nsc.com

**National Semiconductor Europe**  
 Fax: +49 (0) 1 80-530 85 86  
 Email: europe.support@nsc.com  
 Deutsch Tel: +49 (0) 1 80-530 85 85  
 English Tel: +49 (0) 1 80-532 78 32  
 Français Tel: +49 (0) 1 80-532 93 58  
 Italiano Tel: +49 (0) 1 80-534 16 80

**National Semiconductor Asia Pacific Customer Response Group**  
 Tel: 65-2544466  
 Fax: 65-2504466  
 Email: sea.support@nsc.com

**National Semiconductor Japan Ltd.**  
 Tel: 81-3-5639-7560  
 Fax: 81-3-5639-7507

www.national.com