

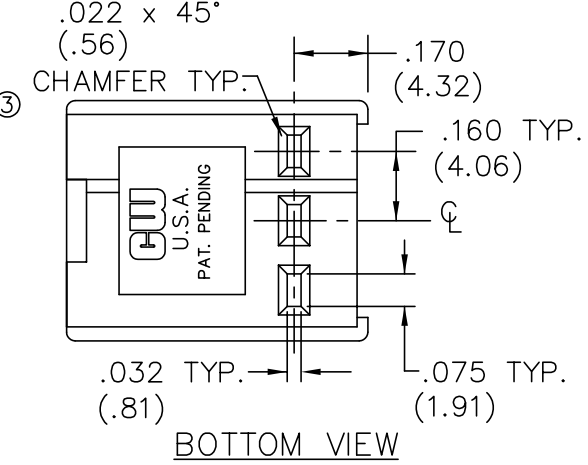
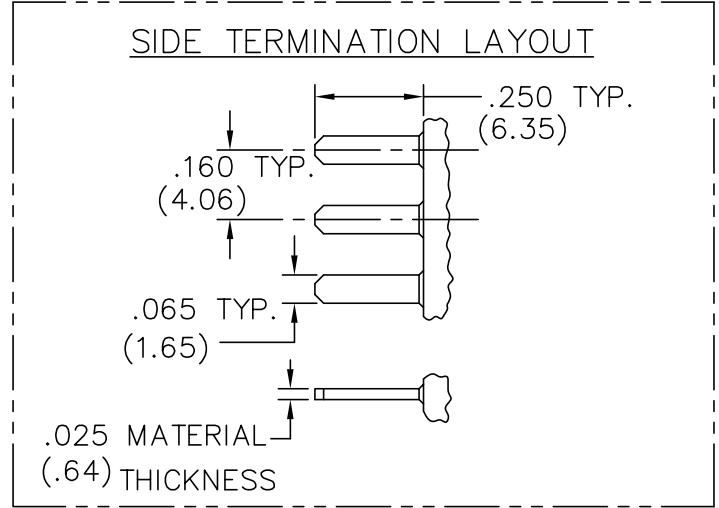
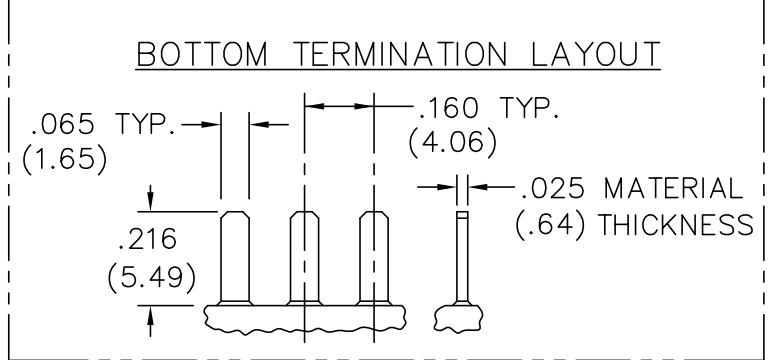
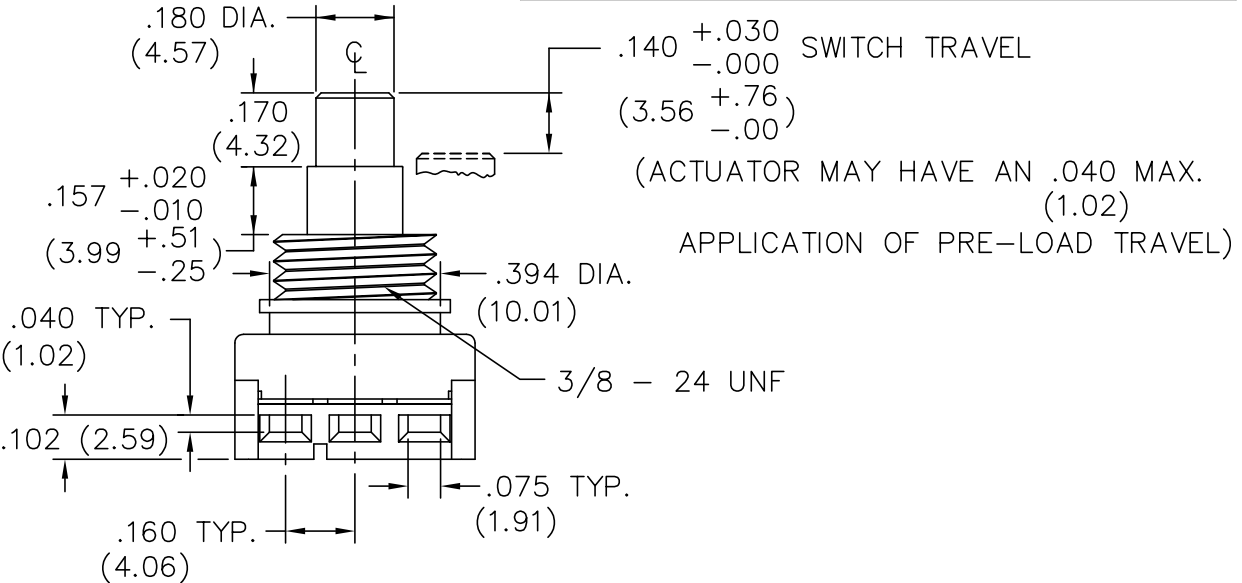
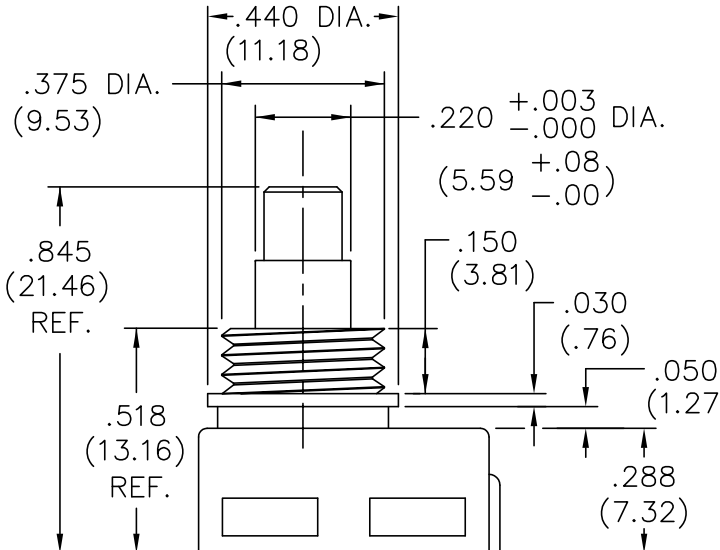
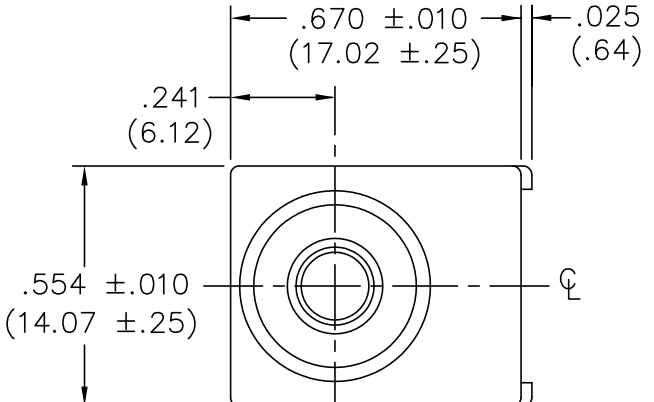
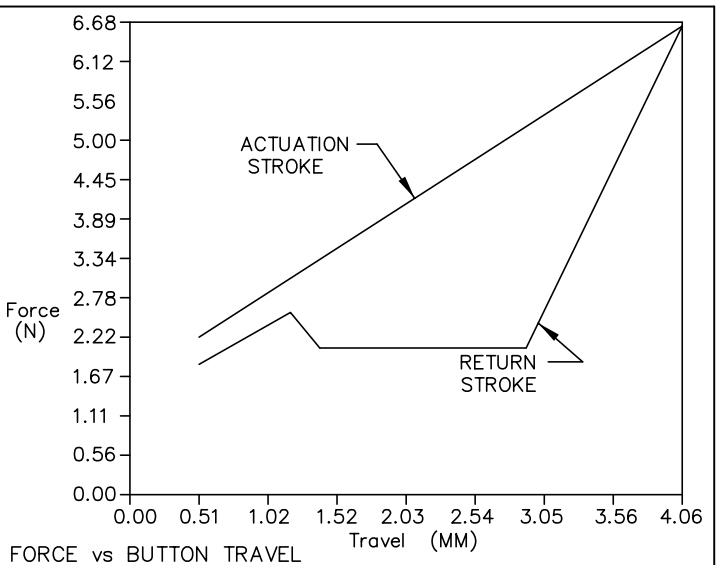
DIMENSIONS IN INCHES (MILLIMETERS)
DO NOT SCALE DRAWING

Dwg. No.
GC-536-0102

SPECIFICATIONS:

MATERIALS:

- HOUSING & BASE - Nylon and or Glass Filled Nylon 6/6 UL 94-V2 minimum
- ACTUATOR - Nylon 6/6 UL 94-V2 minimum
- MOVING CONTACT - Copper Alloy/Phos. Bronze Silver Plated
- STATIONARY CONTACT - BeCu 174 Alloy/75µin. Silver Plated
- ELECTRICAL RATING - 1A. 125V.A.C.
3A. 14V.D.C.
- MECHANICAL PERFORMANCE - 30,000 Cycles minimum at Rated Load.
- OPERATING FORCE - 20 - 31ozs.,
5.6 - 8.6 Newtons,
Spec. as Tested
- VOLTAGE DROP - .030V. MAX @ .7A
- TERMINATION - Insert male tabs into switch housing using side or bottom termination option. Refer to termination option layout for dimensions."



1 2 3 4 5 6 7 8 9 10

FORM-B3	REVISIONS	4	REDRAWN, ADDED METRIC TO DRAWING. UPDATED OPERATING FORCE. DGW 4-05-2002 GG
		5	ADDED FORCE vs BUTTON TRAVEL CHART. DGW 6-19-2003 CH 6-19-03

PDF File Made	CW INDUSTRIES Southampton, Pa. 18966		Title: SWITCH ASSEMBLY PUSH ON-PUSH OFF S.P.D.T. W/SPECIAL BUTTON
	TOLERANCES UNLESS OTHERWISE SPECIFIED		
	Made for: CW IND.	2 Place Decimal ±.010 3 Place Decimal ±.005 Angles ±1°	METRIC 1 Place Dec. ±.25mm 2 Place Dec. ±.13mm
	Division: SWITCH	Drawn by: DGW 4-07-98	Dwg. No. GC-536-0102