

PLEASE CHECK WWW.MOLEX.COM FOR LATEST PART INFORMATION

Part Number: [0905711109](#)
Status: **Active**
Description: 2.54mm (.100") Pitch QF-50™ Header, Vertical, Dual Row, Shrouded, DIN Keying, with Latch/Eject Levers, 10 Circuits, Tin

Documents:

[Drawing \(PDF\)](#) [RoHS Certificate of Compliance \(PDF\)](#)

Agency Certification

CSA LR19980
 UL E29179

General

Product Family Ribbon Cable / Wire Trap Connectors
 Series [90571](#)
 Comments Eject Levers
 Component Type PCB Header
 Glow-Wire Compliant No
 Product Name QF-50™

Physical

Circuits (Loaded) 10
 Circuits (maximum) 10
 Color - Resin Black
 Durability (mating cycles max) 50
 Entry Angle Vertical
 Flammability 94V-0
 Lock to Mating Part None
 Material - Metal Brass
 Material - Plating Mating Tin
 Material - Plating Termination Tin
 Material - Resin Polyester
 Number of Rows 2
 PCB Locator No
 PCB Retention None
 PCB Thickness Recommended (in) 0.062 In
 PCB Thickness Recommended (mm) 1.60 mm
 Packaging Type Tray
 Pitch - Mating Interface (in) 0.100 In
 Pitch - Mating Interface (mm) 2.54 mm
 Pitch - Term. Interface (in) 0.100 In
 Pitch - Term. Interface (mm) 2.54 mm
 Plating min: Termination (µin) 120
 Plating min: Termination (µm) 3
 Polarized to Mating Part Yes
 Polarized to PCB No
 Shrouded Yes
 Stackable Yes
 Surface Mount Compatible (SMC) No
 Temperature Range - Operating -25°C to +85°C
 Termination Interface: Style Through Hole
 Wire Insulation Diameter N/A
 Wire Size AWG N/A
 Wire/Cable Type Ribbon Cable

Electrical



Series

image - Reference only

EU RoHS

China RoHS

Compliance Status

Not Reviewed

REACH SVHC

Not Reviewed

Halogen-Free

Status

Not Reviewed

Need more information on product environmental compliance?

Email productcompliance@molex.com
 For a multiple part number RoHS Certificate of Compliance, [click here](#)

Please visit the [Contact Us](#) section for any non-product compliance questions.

Search Parts in this Series

[90571Series](#)

Mates With

[90635 QF-50™ Female Housing](#)

Current - Maximum per Contact
Voltage - Maximum

1A
250V

Material Info

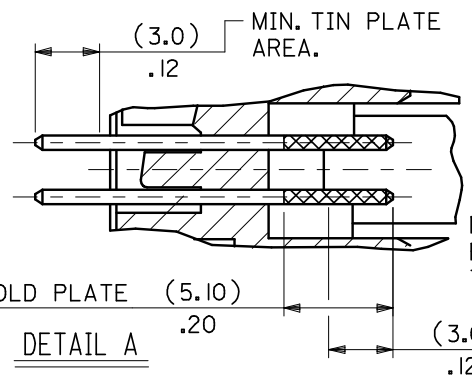
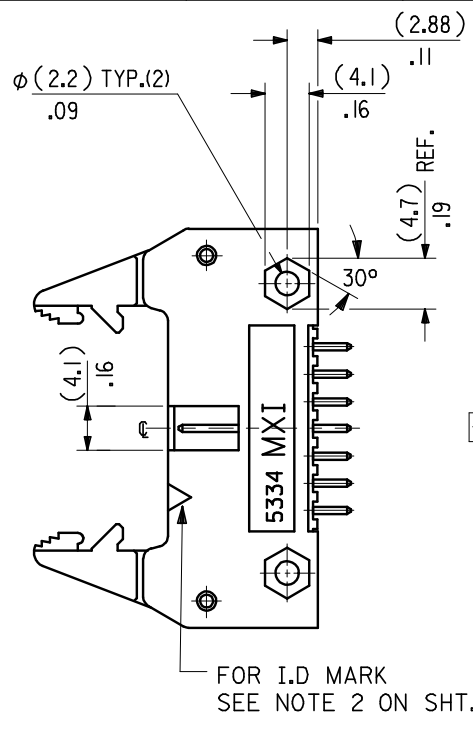
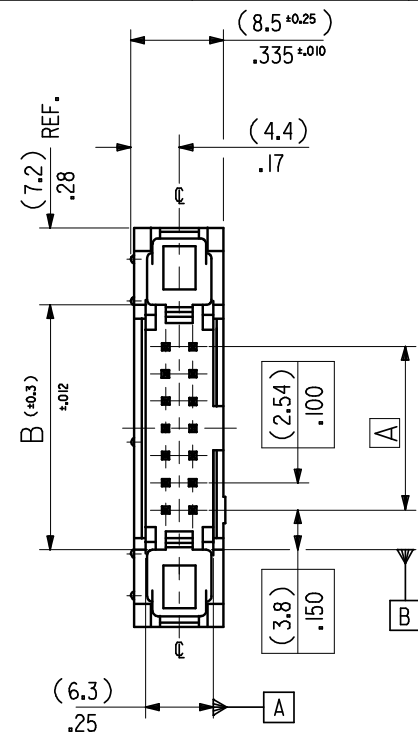
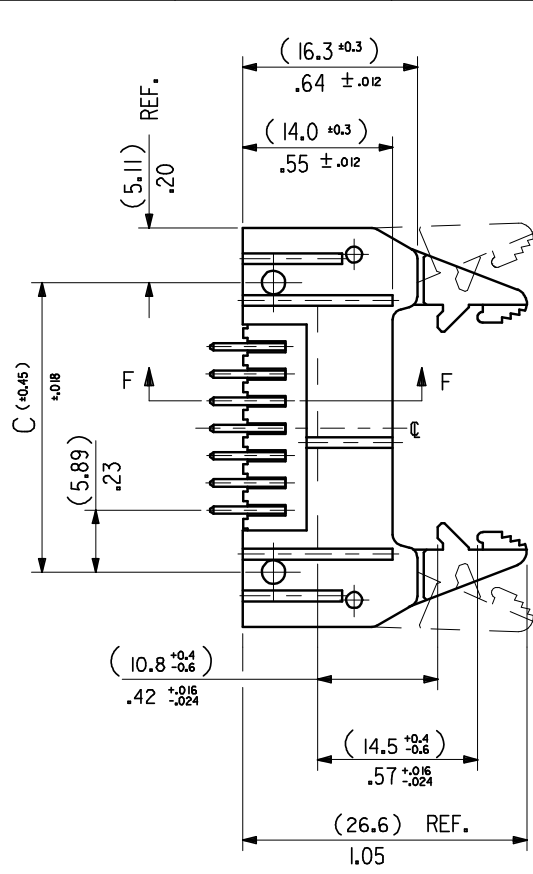
Reference - Drawing Numbers

Sales Drawing

SDA-90571

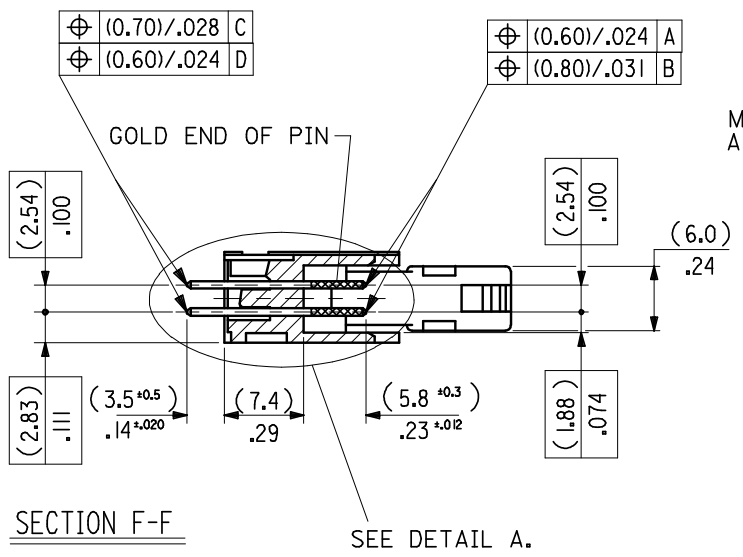
This document was generated on 06/08/2010

PLEASE CHECK WWW.MOLEX.COM FOR LATEST PART INFORMATION



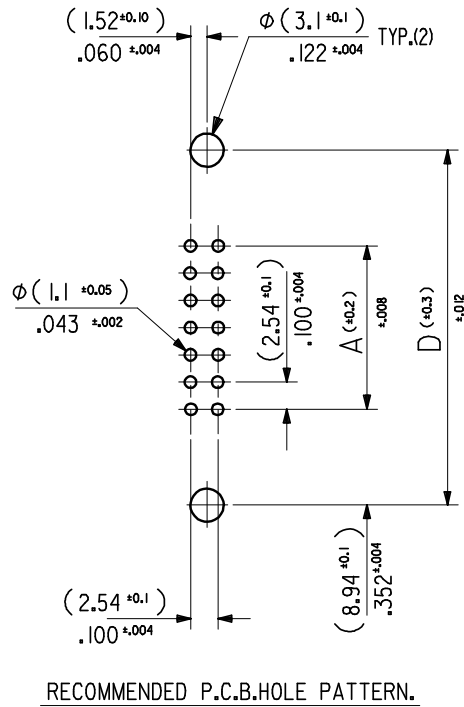
DETAIL A
DIMENSIONS FOR SELECTIVE PLATING'S, SCALE 4:1

- NOTES:
- 1: FOR MATERIAL SPECIFICATION SEE NOTE 1. ON SHEET 2.
 - 2: FOR RECOMMENDED P.C.B.HOLE PATTERN, PART No's AND UNSTATED DIMENSIONS SEE SHEET 2.
 - 3: PRODUCT SPEC. No. :PS 99020-0015



| | | | | | | | | | |
|-----------------------------------------------------------------------------------------------------------------------|-------------------------------|------------------------------------------------------|--------------|--------------------------|-------------------------------------------------------------------------------------------------------------------------------|---------------------------|----------------------|------------------------|-----------------------------------|
| CHANGED GEN TOL. EC NO: E2008-0461 DRWN: NIKI ERNAN 2008/03/05 CHKD: 2008/03/06 APPR: BMAGUIRE 2008/03/06 | QUALITY SYMBOLS ▼ = ▽ = | GENERAL TOLERANCES (UNLESS SPECIFIED) | | DIMENSION STYLE IN/MM | | SCALE 2:1 | DESIGN UNITS INCH | THIRD ANGLE PROJECTION | |
| | | 4 PLACES ± --- ± | 3 PLACES ± ± | 2 PLACES ±0.15 ±.005 | 1 PLACE ±0.02 ±.008 | ANGULAR ±1/2° | DRAWN BY SM | DATE 3 /8/90 | TITLE QIK FLECS WIPE FEMALE |
| REV | DESCRIPTION | DRAFT WHERE APPLICABLE MUST REMAIN WITHIN DIMENSIONS | | MATERIAL NO. | | DOCUMENT NO. SDA-90571 | MOLEX INCORPORATED | | |
| | | | | SIZE A3 | THIS DRAWING CONTAINS INFORMATION THAT IS PROPRIETARY TO MOLEX INCORPORATED AND SHOULD NOT BE USED WITHOUT WRITTEN PERMISSION | | | | SHEET NO. 1 OF 4 |

| | | | | | | | | | |
|---------------|---------------|---------------|---------------|----------------|-------------------------|-------------------------|-------------------------|---------------------|----------------|
| (78.74)/3.100 | (86.34)/3.400 | (90.52)/3.564 | (96.62)/3.804 | (100.74)/3.966 | 90571-1641 | 90571-1642 | 90571-1643 | 64 | |
| (73.66)/2.900 | (81.26)/3.200 | (85.44)/3.364 | (91.54)/3.604 | (95.66)/3.766 | ↑ -1601 | ↑ -1602 | ↑ -1603 | 60 | |
| (60.96)/2.400 | (68.56)/2.700 | (72.74)/2.864 | (78.84)/3.104 | (82.96)/3.266 | -1501 | -1502 | -1503 | 90571-1509 | |
| (48.26)/1.900 | (55.86)/2.200 | (60.04)/2.364 | (66.14)/2.604 | (70.26)/2.766 | -1401 | -1402 | -1403 | ↑ -1409 | |
| (40.64)/1.600 | (48.24)/1.900 | (52.42)/2.064 | (58.52)/1.304 | (62.64)/2.466 | -1341 | -1342 | -1343 | -1349 | |
| (35.56)/1.400 | (43.16)/1.700 | (47.34)/1.864 | (53.44)/2.104 | (57.56)/2.266 | -1301 | -1302 | -1303 | -1309 | |
| (30.48)/1.200 | (38.08)/1.500 | (42.26)/1.664 | (48.36)/1.904 | (52.48)/2.066 | -1261 | -1262 | -1263 | -1269 | |
| (22.86)/.900 | (30.46)/1.200 | (34.64)/1.364 | (40.74)/1.604 | (44.86)/1.766 | -1201 | -1202 | -1203 | -1209 | |
| (17.78)/.700 | (25.38)/1.000 | (29.56)/1.164 | (35.66)/1.404 | (39.78)/1.566 | -1161 | -1162 | -1163 | -1169 | |
| (15.24)/.600 | (22.84)/.900 | (27.02)/1.064 | (33.12)/1.304 | (37.24)/1.466 | ↓ -1141 | ↓ -1142 | ↓ -1143 | ↓ -1149 | |
| (10.16)/.400 | (17.76)/.700 | (21.94)/.864 | (28.04)/1.104 | (32.16)/1.266 | 90571-1101 | 90571-1102 | 90571-1103 | 90571-1109 | |
| A | B | C | D | E | ENG. NO. GS1 PLATING | ENG. NO. GS2 PLATING | ENG. NO. GS3 PLATING | ENG. NO. PRE TIN | NO.OF CKTS. |



NOTES

1.MATERIAL

HEADER : GLASS FILLED POLYESTER (UL 94V0), COLOUR - BLACK.
 PINS : BRASS SIZE \square (0.635)/.025 .
 LEVER : GLASS FILLED POLYESTER (UL 94V0), COLOUR - BLACK.

2.COLOUR IDENTIFICATION MARK FOR PLATING OPTIONS.

90571-1**1, (1um)/39uin MIN. NICKEL UNDERPLATE. CONTACT AREA
 GS1 PLATING (0.1um)/4uin MIN. GOLD. SOLDER AREA (3um)/118uin MIN.
 TIN. COLOUR MARK: YELLOW.
 90571-1**2, (1um)/39uin MIN. NICKEL UNDERPLATE. CONTACT AREA
 GS2 PLATING (0.76um)/30uin MIN. GOLD. SOLDER AREA (3um)/118uin MIN.
 TIN. COLOUR MARK: BROWN.
 90571-1**3, (1um)/39uin MIN. NICKEL UNDERPLATE. CONTACT AREA
 GS3 PLATING (0.25um)/10uin MIN. GOLD. SOLDER AREA (3um)/118uin MIN.
 TIN. COLOUR MARK: BLUE.
 90571-1**9, (0.5-1um)/20-40uin NICKEL UNDER (1.0-3.0um)/39-118uin TIN.
 PRE-TIN COLOUR MARK: BLACK, (NO MARK).

3. RECOMMENDED PCB THICKNESS 1.6mm

| | | | | | | | | | |
|--------------------------------------------------------------------------------------------------------------------|---------------------|---------------------------------------|---------|--------------------------|----------------------|-------------------------------------------------------------------------------------------------------------------------------|---------------------------|------------------------|--|
| CHANGED GEN TOL. EC NO: E2008-0461 DRWN:ILK/ERNAN 2008/03/05 CHKD: 2008/03/06 APPR:BMAGUIRE 2008/03/06 | QUALITY SYMBOLS | GENERAL TOLERANCES (UNLESS SPECIFIED) | | DIMENSION STYLE IN/MM | | SCALE 2:1 | DESIGN UNITS INCH | THIRD ANGLE PROJECTION | |
| | | 4 PLACES ± --- ± | mm INCH | DRAWN BY SM SM | DATE 3 / 8 / 2008 | TITLE QIK FLECS HEADER WITH DIN EJECT LEVERS FOR IMPROVED WIPE FEMALE | | | |
| | | 3 PLACES ± ± | | CHECKED BY X | DATE | MOLEX INCORPORATED | | | |
| | | 2 PLACES ± 0.15 ± .005 | | APPROVED BY X | DATE | MATERIAL NO. SEE CHART | DOCUMENT NO. SDA-90571 | SHEET NO. 2 OF 4 | |
| | | 1 PLACE ± 0.20 ± .008 | | ANGULAR ±1/2° | | THIS DRAWING CONTAINS INFORMATION THAT IS PROPRIETARY TO MOLEX INCORPORATED AND SHOULD NOT BE USED WITHOUT WRITTEN PERMISSION | | | |
| DRAFT WHERE APPLICABLE MUST REMAIN WITHIN DIMENSIONS | | | | | | | | | |