

PLEASE CHECK WWW.MOLEX.COM FOR LATEST PART INFORMATION

Part Number: [0850710100](#)
Status: **Active**
Description: 4.00mm (0.157") SRC Heavy Duty Receptacle Housing, 84 Way, Black

Documents:

[Drawing \(PDF\)](#) [RoHS Certificate of Compliance \(PDF\)](#)
[Product Specification PS-85070-001 \(PDF\)](#)

General

Product Family	Crimp Housings
Series	85071
Comments	Polarized to mating part
Product Name	SRC

Physical

Circuits (maximum)	84
Color - Resin	Black
Gender	Male
Glow-Wire Compliant	No
Keying to Mating Part	None
Lock to Mating Part	Yes
Material - Resin	Nylon
Number of Rows	14
Packaging Type	Bag
Panel Mount	No
Pitch - Mating Interface (in)	0.012 In
Pitch - Mating Interface (mm)	0.30 mm
Polarized to Mating Part	Yes
Stackable	No
Temperature Range - Operating	-40°C to +125°C

Electrical

Current - Maximum per Contact	40A
-------------------------------	-----

Material Info

Reference - Drawing Numbers

Product Specification	PS-85070-001
Sales Drawing	SD-85071-100



image - Reference only

EU RoHS

ELV and RoHS Compliant
REACH SVHC
 Not Reviewed
Halogen-Free Status
 Not Reviewed

China RoHS



Need more information on product environmental compliance?

Email productcompliance@molex.com
 For a multiple part number RoHS Certificate of Compliance, [click here](#)

Please visit the [Contact Us](#) section for any non-product compliance questions.

Search Parts in this Series

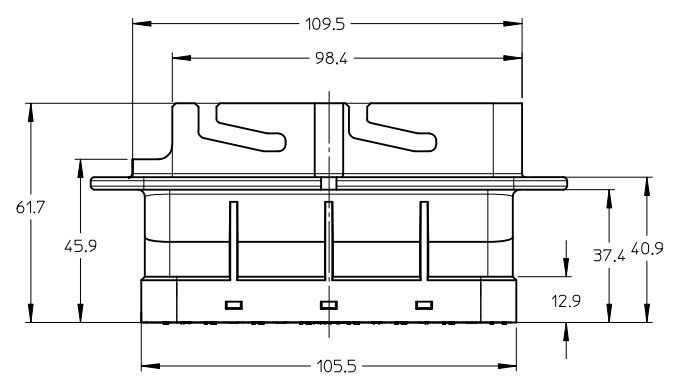
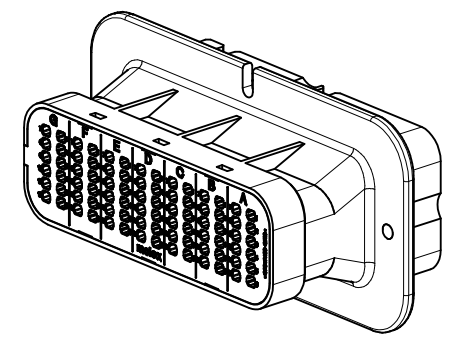
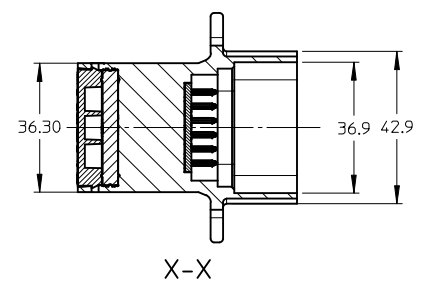
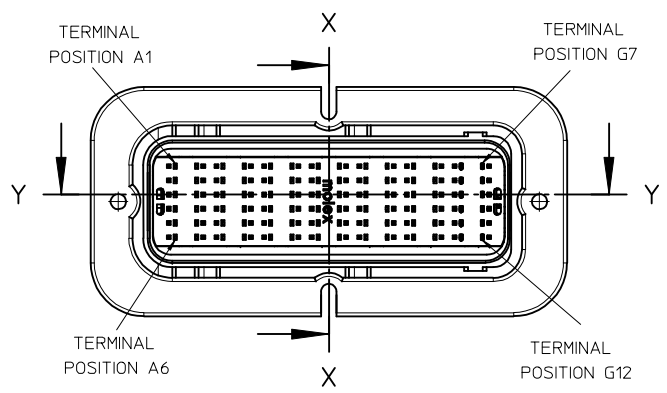
[85071Series](#)

Mates With

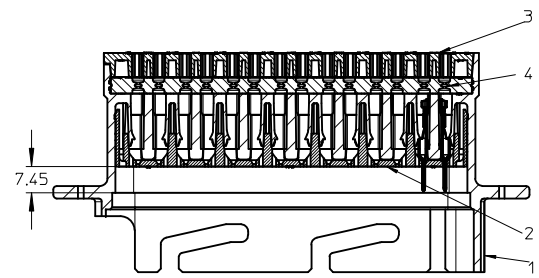
[85070 SRC Heavy Duty Connector](#)

Use With

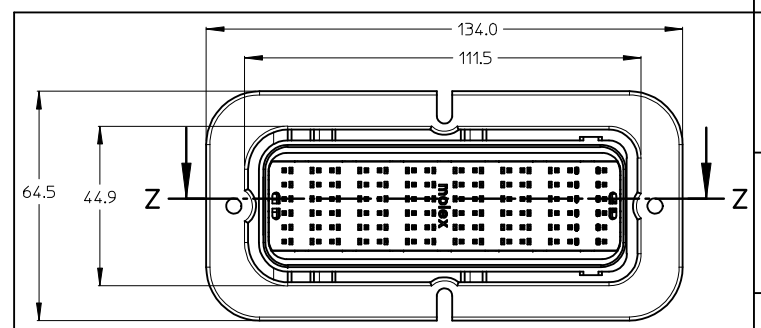
[33000](#) Male Terminals, Tin, AWG 14-22.
[33011](#) Male Terminal, Gold, AWG 14-22.
[19431](#) Male Terminal, Tin, AWG 8-12



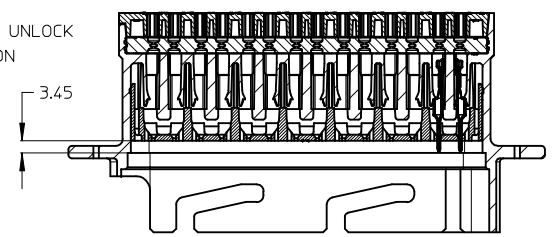
TPA IN FULL-LOCK POSITION



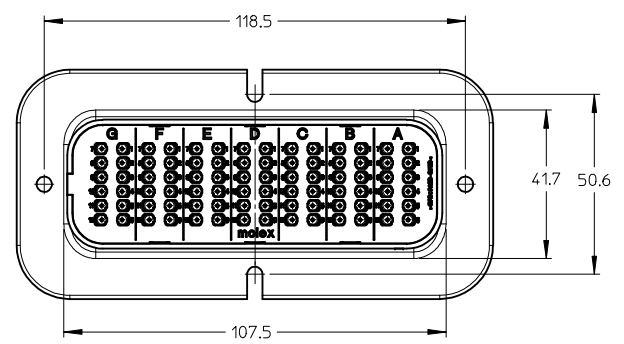
Y-Y



TPA IN UNLOCK POSITION



Z-Z



- NOTES:
1. DESIGNED TO MATE WITH THE BLADE HOUSING ASSEMBLY SPECIFIED IN MOLEX CHARTED DRAWING SD-85070-500
 2. FOR RECEPTACLE TERMINALS TO BE USED WITH THIS ASSEMBLY, SEE DRAWING SD-33000-001
 3. SYSTEM TO BE USED WITH WIRE WITHIN DIAMETER RANGE OF 1.2mm TO 2.8mm
 4. MATERIAL COMPLIANT TO ROHS DIRECTIVE 2002/95/EC
 5. SHALL CONFORM TO PRODUCT SPECIFICATION PS-85070-001

4	MALE BACK SEAL	1	LSR 30 DUROM	TRANSPARENT
3	MALE REAR COVER	1	SPS/PA66 GF20	BLACK
2	MALE FRONT COVER (TPA)	1	SPS/PA66 GF20	BLACK
1	MALE HOUSING	1	SPS/PA66 GF20	BLACK
NO.	PART NAME	QTY	MATERIAL	COLOR

ENTER DESCRIPTION EC NO: M62009-0074 DRAWN: TMOGT 2009/04/23 CHKD: RSILLER 2009/04/24 APPR: AVOGT 2009/04/24	QUALITY SYMBOLS ▽=0 ▽=0	GENERAL TOLERANCES (UNLESS SPECIFIED)		DIMENSION STYLE MM ONLY	SCALE 1:1	DESIGN UNITS METRIC	THIRD ANGLE PROJECTION
		4 PLACES ± --- ± --- 3 PLACES ± --- ± --- 2 PLACES ± 0.05 ± --- 1 PLACE ± 0.10 ± --- ANGULAR ± .5 °	mm INCH ± --- ± --- ± 0.05 ± --- ± 0.10 ± ---	DRAWN BY CSEBASTIAN 2007/07/27	DATE 2007/07/27	TITLE MLX SRC - MALE ASSEMBLY 84 PIN	
				CHECKED BY MMUELLER 2007/08/21	DATE 2007/08/21	MOLEX INCORPORATED	
				APPROVED BY TREMHOF 2007/08/21	DATE 2007/08/21	MOLEX INCORPORATED	
				MATERIAL NO. 85071-0100	DOCUMENT NO. SD-85071-100	SHEET NO. 1 OF 1	
		DRAFT WHERE APPLICABLE MUST REMAIN WITHIN DIMENSIONS		THIS DRAWING CONTAINS INFORMATION THAT IS PROPRIETARY TO MOLEX INCORPORATED AND SHOULD NOT BE USED WITHOUT WRITTEN PERMISSION			