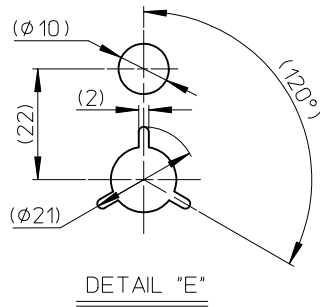
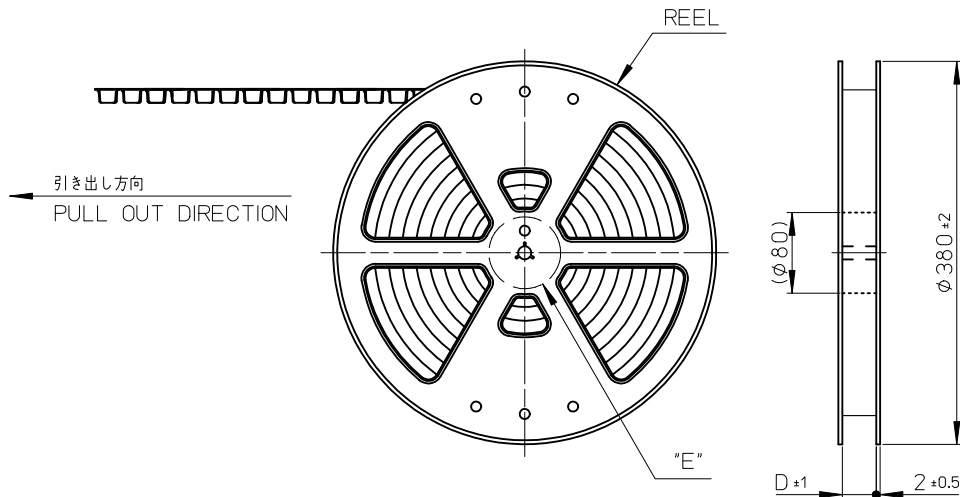




緑 GREEN		青 BLUE		赤 RED		黒 BLACK		自然色 NATURAL		色 COLOR
//	501571-**76	//	501571-**74	//	501571-**72	//	501571-**71	501571-5007	501571-**09	50
//		//		//		//		501571-4007		40
501571-3056		501571-3054		501571-3052		501571-3051		501571-3007		30
501571-2056		501571-2054		501571-2052		501571-2051		501571-2007		20
EMBOSSED PACKAGE オーダー番号 ORDER NO.	CONNECTOR SERIES	EMBOSSED PACKAGE オーダー番号 ORDER NO.	CONNECTOR SERIES	EMBOSSED PACKAGE オーダー番号 ORDER NO.	CONNECTOR SERIES	EMBOSSED PACKAGE オーダー番号 ORDER NO.	CONNECTOR SERIES	EMBOSSED PACKAGE オーダー番号 ORDER NO.	CONNECTOR SERIES	CKT.

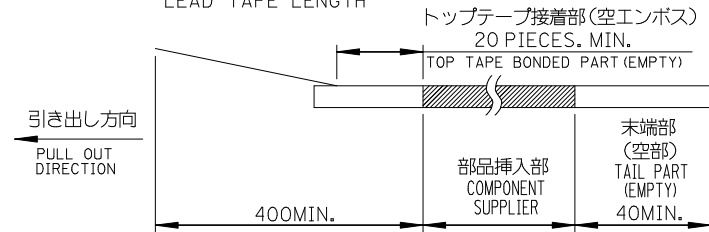
  

SEE SHEET 1 EC NO.: J2012-0269 DRWN: KAWASHIO 2011/08/24 CHKD: KASAKAWA 2011/08/26 APPR: NUKITA 2011/08/26	DESCRIPTION REV	GENERAL TOLERANCES (UNLESS SPECIFIED)		DIMENSION STYLE MM ONLY		SCALE 5:1	DESIGN UNITS METRIC	THIRD ANGLE PROJECTION		
		10 UNDER	±0.2	DRAWN BY TRSUZUKI	DATE 2005/02/14	TITLE 1.0 WIRE TO BOARD CONN. 2-ROW R/A WAFER ASSY -LEAD FREE-				
		10 OVER 30 UNDER	±0.25	CHECKED BY MYAGI	DATE 2005/02/14	APPROVED BY ANODA 2005/02/14				
		30 OVER	±0.3	ANGULAR ±3 °		MATERIAL NO. SEE TABLE		DOCUMENT NO. SD-501571-001		
		DRAFT WHERE APPLICABLE MUST REMAIN WITHIN DIMENSIONS		SIZE A3		THIS DRAWING CONTAINS INFORMATION THAT IS PROPRIETARY TO MOLEX INCORPORATED AND SHOULD NOT BE USED WITHOUT WRITTEN PERMISSION				

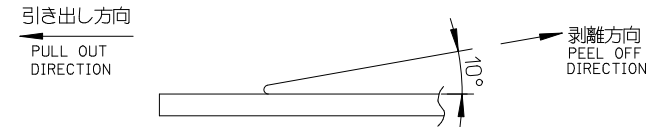


NOTES

- 製品詳細寸法については SD-501571-001 を参照ください。  
RE DETAILED DIMENSION, SEE SD-501571-001
- 梱包数量 : 800 個 / リール  
NUMBER OF CONNECTORS : 800 PIECES/REEL
- リードテープ長さ  
LEAD TAPE LENGTH



- トップテープの剥離強度 : 0.1 ~ 1.3N (10.2 ~ 132.5gf) (剥離方向は下図参照)  
PEELING OFF FORCE OF TOP TAPE  
(PEELING DIRECTION AS SHOWN IN FOLLOWING FIGURE)  
尚、本規格値は、出荷時に適用。(但し、輸送時に剥離が発生しないこと)  
THIS REQUIREMENT SHOULD BE APPLIED AT SHIPMENT.  
PEEL OFF SHOULD NOT BE ALLOWED, DURING TRANSPORTION.



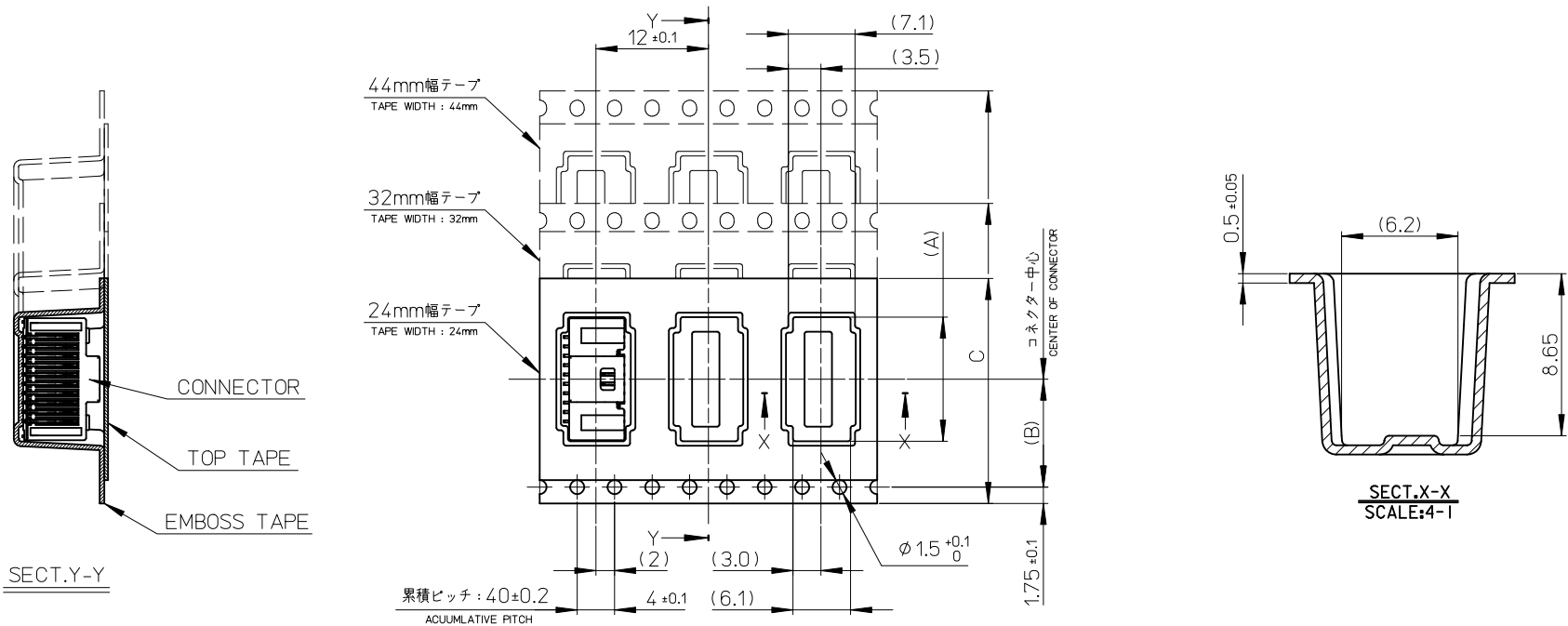
- 材料  
MATERIAL  
キャリアテープ : ポリプロピレン  
CARRIER TAPE : POLYPROPYLENE  
トップテープ : PET, PE, REF  
TOP TAPE  
リール : ポリスチレン (リサイクル材を含む)  
REEL : POLYSTYRENE (RECYCLE MATERIAL CONTAINED)

- 乾燥剤入り防湿梱包仕様になります。(501571-\*\*07以外)  
INCLUDING DESICCANT TAPING PACKAGE.  
(BESIDES 501571-\*\*07)

- ELV 及び RoHS 適合品  
ELV AND RoHS COMPLIANT.

REVISED EC NO: J2012-0269 DRWN:KASHIO 2011/08/24 CHKD:KASAKAWA 2011/08/26 APPR:NUKITA 2011/08/26	DESCRIPTION	GENERAL TOLERANCES (UNLESS SPECIFIED)		DIMENSION STYLE MM ONLY		SCALE ---	DESIGN UNITS METRIC	THIRD ANGLE PROJECTION	
		10 UNDER	±0.2	DRAWN BY TRSUZUKI	DATE 2005/02/14	TITLE 1.0 WIRE TO BOARD CONN. 2-ROW R/A WAFER ASSY EMBTP PKG -LEAD FREE-			
		10 OVER 30 UNDER	±0.25	CHECKED BY MYAGI	DATE 2005/02/14	MOLEX INCORPORATED			
		30 OVER	±0.3	APPROVED BY ANODA	DATE 2005/02/14	MATERIAL NO. SEE SHEET 2	DOCUMENT NO. SD-501571-002	SHEET NO. 1 OF 3	
REV		ANGULAR	±3 °	THIS DRAWING CONTAINS INFORMATION THAT IS PROPRIETARY TO MOLEX INCORPORATED AND SHOULD NOT BE USED WITHOUT WRITTEN PERMISSION					
		DRAFT WHERE APPLICABLE MUST REMAIN WITHIN DIMENSIONS							

引き出し方向  
PULL OUT DIRECTION



45.5	44±0.3	20.2	28.3	501571-5009	501571-5007	50
			23.3	501571-4009	501571-4007	40
33.5	32±0.3	14.2	18.3	501571-3009	501571-3007	30
				501571-307*	501571-305*	
25.5	24±0.3	11.5	13.3	501571-2009	501571-2007	20
				501571-207*	501571-205*	
D	C	(B)	(A)	CONNECTOR SERIES NO.	EMBOSSED PACKAGE ORDER NO.	CKTS.

SEE SHEET 1 EC NO: J2012-0269 DRW: KWASHIO 2011/08/24 CHK: KASAKAWA 2011/08/26 APPR: NUKITA 2011/08/26	GENERAL TOLERANCES (UNLESS SPECIFIED)		DIMENSION STYLE MM ONLY		SCALE ---	DESIGN UNITS METRIC	THIRD ANGLE PROJECTION
	10 UNDER	±0.2	DRAWN BY TRSUZUKI	DATE 2005/02/14	TITLE 1.0 WIRE TO BOARD CONN. 2-ROW R/A WAFER ASSY EMBTB PKG -LEAD FREE-		
	10 OVER 30 UNDER	±0.25	CHECKED BY MYAGI	DATE 2005/02/14	MOLEX INCORPORATED		
	30 OVER	±0.3	APPROVED BY ANODA	DATE 2005/02/14	MATERIAL NO. SEE CHART	DOCUMENT NO. SD-501571-002	SHEET NO. 2 OF 3
ANGULAR ±3 °		DRAFT WHERE APPLICABLE MUST REMAIN WITHIN DIMENSIONS		THIS DRAWING CONTAINS INFORMATION THAT IS PROPRIETARY TO MOLEX INCORPORATED AND SHOULD NOT BE USED WITHOUT WRITTEN PERMISSION			

緑 GREEN	青 BLUE	赤 RED	黒 BLACK	色 COLOR	
—//—	—//—	—//—	—//—	50	501571-**7*
—//—	—//—	—//—	—//—	40	
501571-3056	501571-3054	501571-3052	501571-3051	30	
501571-2056	501571-2054	501571-2052	501571-2051	20	
EMBOSSED PACKAGE オーダー番号 ORDER NO.				CKT.	CONNECTOR SERIES NO.

自然色 NATURAL		色 COLOR	
501571-5007	50	501571-**09	CONNECTOR SERIES NO.
501571-4007	40		
501571-3007	30		
501571-2007	20		
EMBOSSED PACKAGE オーダー番号 ORDER NO.		CKT.	CONNECTOR SERIES NO.

<b>SEE SHEET 1</b> EC NO: J2012-0269 DRWN:KASHIO 2011/08/24 CHKD:KASAKAWA 2011/08/26 APPR:NUKITA 2011/08/26 REV:	GENERAL TOLERANCES (UNLESS SPECIFIED)		DIMENSION STYLE <b>MM ONLY</b>		SCALE ---	DESIGN UNITS <b>METRIC</b>	THIRD ANGLE PROJECTION
	10 UNDER	±0.2	DRAWN BY TRSUZUKI	DATE 2005/02/14	TITLE <b>1.0 WIRE TO BOARD CONN. 2-ROW R/A WAFER ASSY EMBTB PKG -LEAD FREE-</b>		
	10 OVER 30 UNDER	±0.25	CHECKED BY MYAGI	DATE 2005/02/14	APPROVED BY ANODA 2005/02/14		
	30 OVER	±0.3	MATERIAL NO. <b>SEE CHART</b>		DOCUMENT NO. <b>SD-501571-002</b>		SHEET NO. <b>3 OF 3</b>
	ANGULAR ±3 °	DRAFT WHERE APPLICABLE MUST REMAIN WITHIN DIMENSIONS		SIZE <b>A3</b>	THIS DRAWING CONTAINS INFORMATION THAT IS PROPRIETARY TO MOLEX INCORPORATED AND SHOULD NOT BE USED WITHOUT WRITTEN PERMISSION		