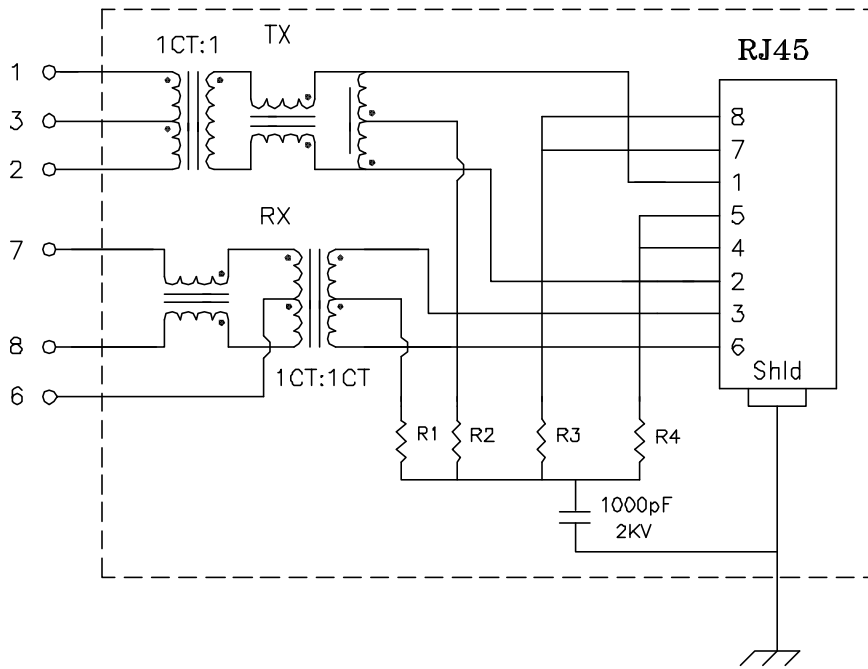


**Schematic:**



R1,R2,R3,R4: 75 OHMS

**Electrical Specifications: @25°C**

Isolation Voltage: 1500 Vrms (INPUT to OUTPUT)

Isolation Voltage: 500 Vrms (6+7+8-1+3+2)

URNS RATIO: TX 1CT:1 ±5% RX 1CT:1CT ±5%

OCL: 350uH Minimum @100KHz 100mV 8mADC

Insertion Loss (1MHz-100MHz): -1.0dB Max

Return Loss: 30MHz -16dB Typical

60MHz -14dB Typical

80MHz -12dB Typical

CROSSTALK: 1MHz-100MHz -35dB Minimum

CMRR: 1MHz-100MHz -35dB Minimum

**Notes:**

1. Solderability: Leads shall meet MIL-STD-202, Method 208D for solderability.
2. Flammability: UL94V-0
3. ASTM oxygen index: > 28%
4. Temperature rating: 155°C. UL file E151556
5. Operating Temperature Range: All listed parameters are to be within tolerance from -40°C to +85°C

DOC. REV: A/1

**XFMRs Inc.**

Title: **SINGLE PORT COMBO**

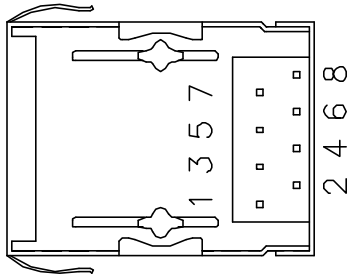
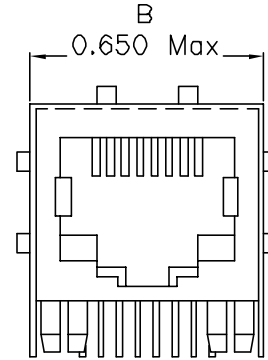
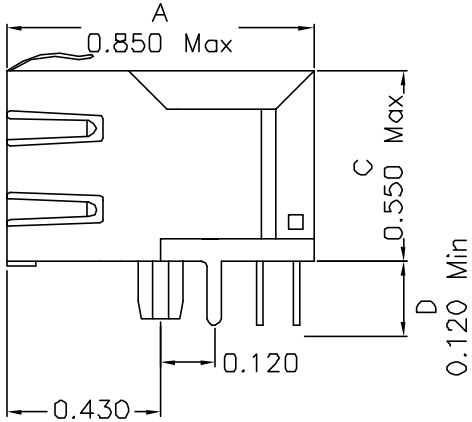
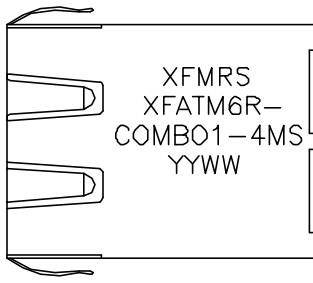
UNLESS OTHERWISE SPECIFIED  
TOLERANCES:  
.xxx ±0.010  
Dimensions in Inch  
SHEET 1 OF 2

P/N:	XFATM6R-COMB01-4MS	REV.	A
DWN.	廖玉坤		Apr-26-04
CHK.	李清儿		Apr-26-04
APP.	BW		Apr-26-04

**PROPRIETARY:**

Document is the property of XFMRs Group & is not allowed to be duplicated without authorization.

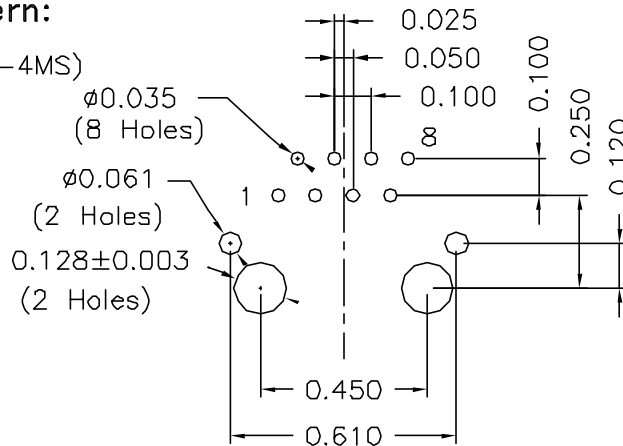
**Mechanical Dimensions:**



(BOTTOM VIEW)

**Mounting Pattern:**

(FOR COMBO1-4MS)  
(COMP SIDE)



DOC. REV: A/1

**XFMRS Inc.**

Title: Mechanical Dimensions  
For COMBO1-4MS Series

UNLESS OTHERWISE SPECIFIED  
TOLERANCES:  
.xxx ±0.010  
Dimensions in Inch

P/N: XFATM6R-COMBO1-4MS	REV. A
DWN. 李小锋	Apr-26-04
CHK. 廖玉坤	Apr-26-04
APP. BW	Apr-26-04

SHEET 2 OF 2

**PROPRIETARY:**

Document is the property of XFMRS Group & is not allowed to be duplicated without authorization.