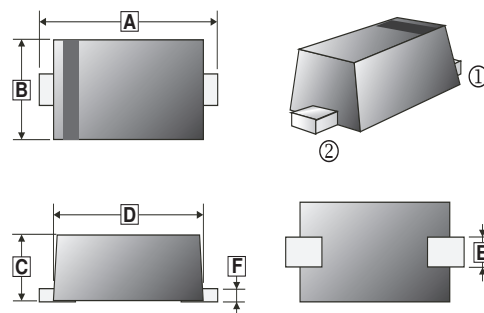


RoHS Compliant Product
A suffix of "-C" specifies halogen & lead-free

FEATURES

- Low Forward Voltage Drop
- Flat Lead SOD-323L Small Outline Plastic Package
- Surface Device Type Mounting
- Green EMC
- Matte Tin(Sn) Lead Finish
- Band Indicates Cathode

SOD-323L



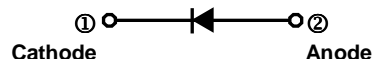
MARKING CODE

B5

PACKAGE INFORMATION

REF.	Millimeter		REF.	Millimeter	
	Min.	Max.		Min.	Max.
A	2.30	2.70	D	1.60	1.80
B	1.15	1.35	E	0.25	0.40
C	0.80	1.00	F	0.05	0.25

Package	MPQ	Leader Size
SOD-323L	3K	7 inch



MAXIMUM RATINGS (T_A = 25°C unless otherwise specified.)

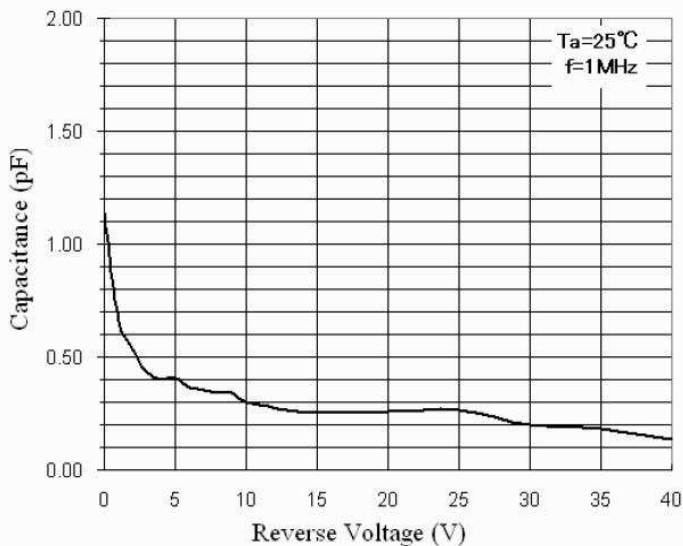
Parameter	Symbol	Rating	Unit
Power Dissipation	P _D	200	mW
Maximum Recurrent Peak Reverse Voltage	V _{RRM}	40	V
Maximum DC Blocking Voltage	V _R	30	V
Average Forward Current	I _{F(AV)}	30	mA
Peak Forward Current	I _{FSM}	500	mA
Operating Temperature Range	T _J	125	°C
Storage temperature	T _{STG}	-55~125	°C

ELECTRICAL CHARACTERISTICS (T_A = 25°C unless otherwise specified.)

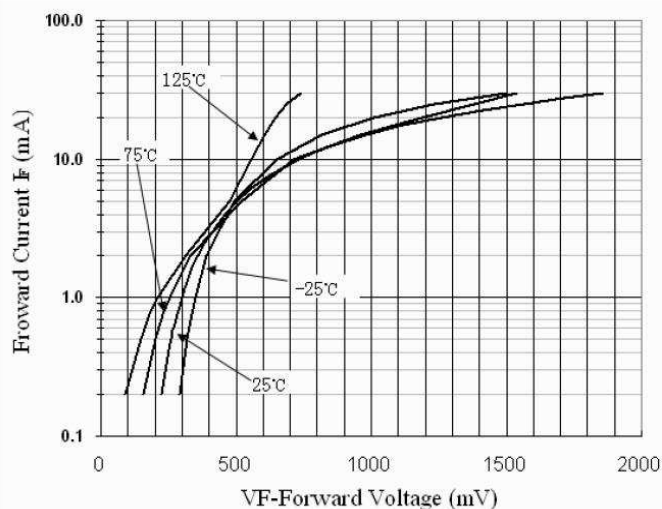
Parameter	Symbol	Min	Max	Unit	Test condition
Breakdown Voltage	B _V	30	-	V	I _R =10μA
Maximum DC Reverse Current	I _R	-	0.5	μA	V _R =30V
Maximum Instantaneous Forward Voltage	V _F	-	0.37	V	I _F =1mA

CHARACTERISTIC CURVES

Total Capacitance



Forward Voltage vs Ambient Temperature



Reverse Current vs Reverse Voltage

