

Product Brief TUA 4307

The ONE Chip Car Radio IC

The TUA 4307 is an one chip car radio front end IC consisting of an AM/FM receiver, an AM up down converter, an AGC amplifier, a FM IF limiter amplifier, AM and FM demodulators, and a stereodecoder with noise blanker. The highlight of this IC is the AM/FM station detector.



Potential Application

- Car radios

Features

AM/FM-Receiver

- High flexibility with external preamplifier
- Only one 2-pin-LO at 100 MHz for AM and FM
- Strictly symmetrical RF parts

FM-Receiver

- High input/output 3rd order interceptpoint

FM-IF Demodulator

- Multipath detector with analog output

Stereodecoder

- Analog mono/stereo blend control
- Adjacent channel noise suppression

AM Mode

- Fast AM search tuning stop

Add on to TUA 4306

- FM station detector with S curve criterion and adjustable fieldstrength treshold (output combined with AM)

- FM IF counter output with request function pin
- Adjustment free stereodecoder VCO with 912 kHz ceramic resonator
- AM station detector with adjustable fieldstrength treshold (output combined with FM)
- Output for AM stereo decoder (CQAM)

Price Projection

- Standard price list
- For Key and Focus accounts or high volumes you may contact your regional Siemens sales partner

Development and Support Tools

- Application Board TUA 4307

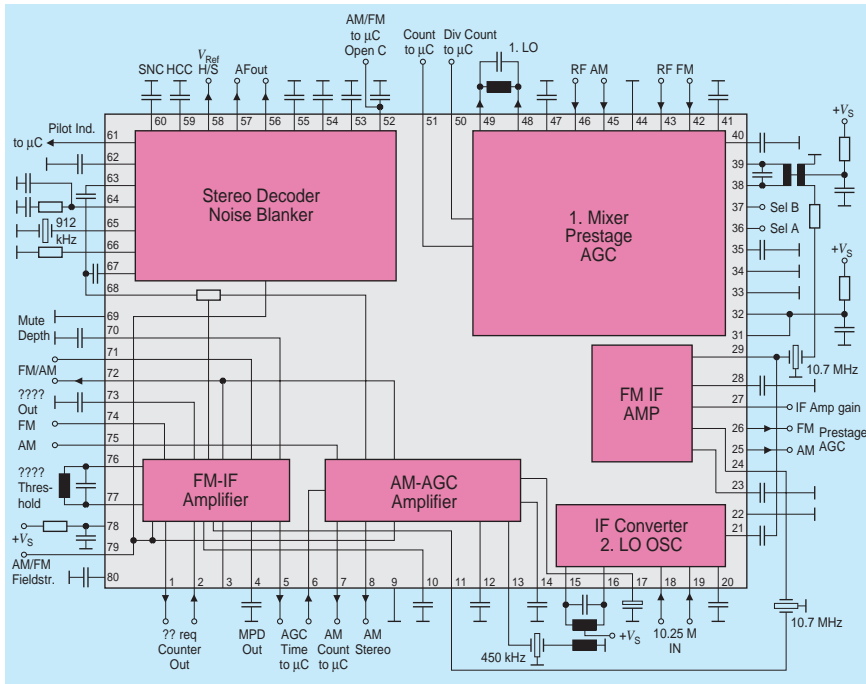
Features	Benefits
AM UP/DOWN conversion concept	Alignment free
Flexible for high-performance / low-cost applications	One chip for all radios
Reduced number of adjustments	Cost savings, high reliability
Reduced peripheral count	
MW/SW receiver	New markets (e.g. Saudi Arabia)

Packing

Type	Ordering Code	Package
TUA 4307	Q66000-S-T	P-MQFP-80-1

Documentation	Date of Issue/Version
Specification	9/98
Articles/Press releases	tbd.

Block Diagram

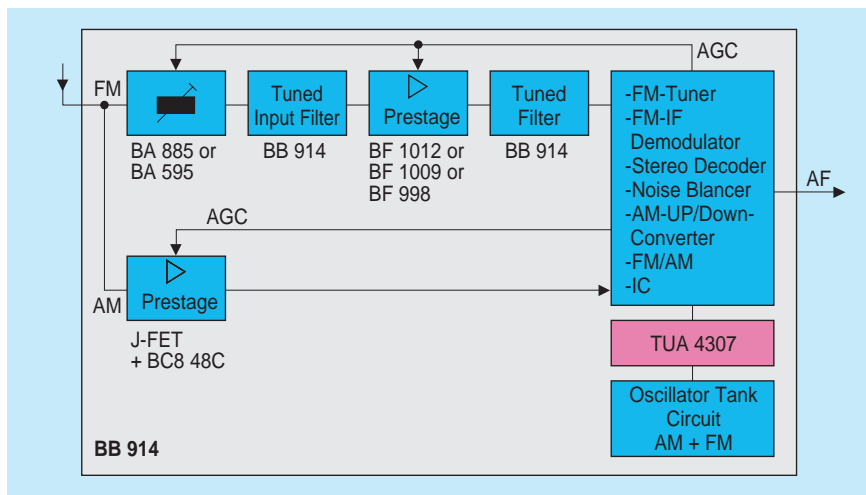


Availability

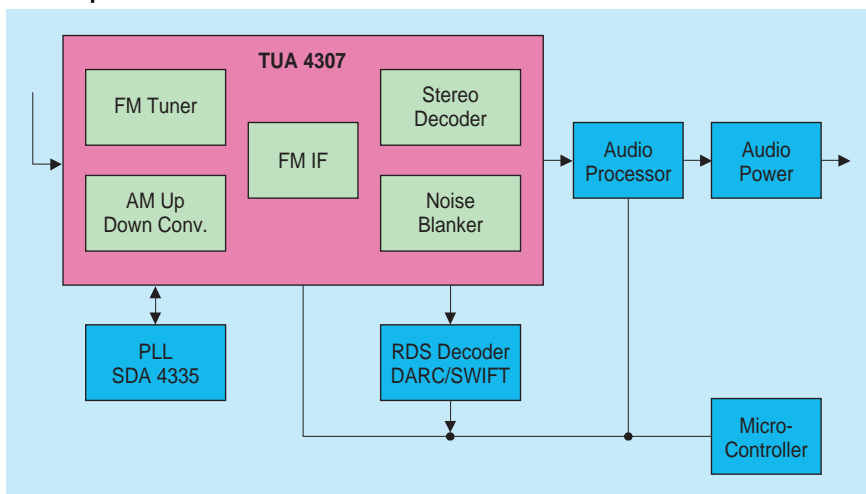
**ES available;
Product development release**

- | | |
|---|--|
| (A) Wien
☎ (+43) 1-1707-356 11 | (IRL) Dublin 4
☎ (+353) 1-603 23 42 |
| (AUS) Richmond (Melbourne), Vic. 3121
☎ (+61) 3-9420 71 11 | (J) Tokyo 141-0022
☎ (+81) 3-5449 64 11 |
| (B) Brüssel/Bruzelles
☎ (+32) 2-536 23 48 | (MAL) Penang
☎ (+60) 4-644 99 75 |
| (BR) São Paulo-SP
☎ (+55) 11-836 23 77/26 84 | (N) Oslo 5
☎ (+47) 22-63 30 00 |
| (CDN) Mississauga, Ontario L5T 1P2
☎ (+1) 905-819 80 00 | (NL) Den Haag
☎ (+31) 70-333 24 29 |
| (CH) Zürich
☎ (+41) 1-495 30 65 | (NZ) Auckland
☎ (+64) 9-520 30 33 |
| (D) Düsseldorf
☎ (+49) 211-399 15 51
Laatzten (Hannover)
☎ (+49) 511-877 27 06
Nürnberg
☎ (+49) 911-654 76 22
Stuttgart
☎ (+49) 711-137 33 14
München
☎ (+49) 89-9221 40 86 | (P) Amadora
☎ (+35) 1-417 00 11 |
| (DK) Ballerup
☎ (+45) 4477-44 77 | (PK) Islamabad
☎ (+92) 51-21 22 00 |
| (E) Tres Cantos-Madrid
☎ (+34) 91-514 80 00 | (PL) Warszawa
☎ (+48) 2-670 91 51 |
| (F) Saint-Denis CEDEX 2
☎ (+33) 1-4922 31 00 | (RC) Taipei
☎ (+886) 2-2773 66 00 |
| (FIN) Espoo (Helsinki)
☎ (+35) 9-5105 1 | (ROK) Seoul 135-080
☎ (+82) 2-527 77 00 |
| (GB) Berkshire RG 12 8FZ
☎ (+44) 1344-39 60 00 | (RUS) Moskva
☎ (+7) 095-237-64 76, -69 11 |
| (GR) Amaroussio/Athen
☎ (+30) 1-686 41 11 | (S) Kista
☎ (+46) 8-703 35 00 |
| (HK) Hong Kong
☎ (+852) 2832 05 00 | (SGP) Singapore 349 253
☎ (+65) 840 06 10 |
| (I) Milano
☎ (+39) 02-6676-1 | (TR) Findikili (Istanbul)
☎ (+90) 212-251 09 00 |
| (IND) New Delhi 110 014
☎ (+91) 11-461 74 47
Bangalore 560 001
☎ (+91) 80-227 98 74
Mumbai
☎ (+91) 22-496 21 99 | (USA) Cupertino, CA 95014
☎ (+1) 408-777 45 00
Cupertino, CA 95014
☎ (+1) 408-257 79 10
Iselin, NJ 08830-2770
☎ (+1) 732-906 43 00 |
| | (VRC) Beijing
☎ (+86) 10-6857 90-06, -07 |
| | Shanghai 200003
☎ (+86) 21-6361 26 18/19 |
| | (ZA) Halfway House 1685
☎ (+27) 11-652-20 00, -27 00 |

RF Semiconductors in Car Radio AM/FM Receivers



1-Chip Car Radio IC TUA 4307



How to reach us:

<http://www.siemens.de/semiconductor>

© Siemens AG 1998.

All Rights Reserved.

Please note that any information contained in this publication may be subject to change. Siemens reserves the right to make changes to or to discontinue any product or service identified in this publication without notice.

Please contact our regional offices to receive the latest version of the relevant information to verify, before placing orders, that the information being relied upon is current.

All brand or product names, hardware or software names are trademarks of their respective companies or organizations.