

液晶之友 电话: 020-33819057
Http://www.lcdfriends.com



PRODUCT SPECIFICATION

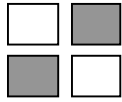
MONOCHROME LCD MODULE

PART NUMBER : FDA4004B

DESCRIPTION : 4x40 character

REVISION : Rev A

Approval for Specification only		Approval for Sample Only
Approval for Pre-production	x	Approval for Mass Production



FDA4004B (40 CHARACTERS x 4 LINES)

FEATURES

- ◆ 5 x 7 DOTS WITH CURSOR
- ◆ BUILT-IN CONTROLLER (KS0066 OR EQUIVALENT)
- ◆ 5 V POWER SUPPLY
- ◆ 1/16 DUTY CYCLE
- ◆ 4.2 V LED FORWARD VOLTAGE

MECHANICAL DATA

ITEM	DIMENSIONS	UNIT
Module Size (W x H x T)	288.3 x 77.5 x 12.8(18.7)	mm
Viewing Area (W x H)	260.0 x 56.6	mm
Character Size (W x H)	5.16 x 10.52	mm
Character Pitch (W x H)	6.25 x 13.62	mm
Dot Size (W x H)	1.00 x 1.28	mm
Dot Pitch (W x H)	1.04 x 1.32	mm

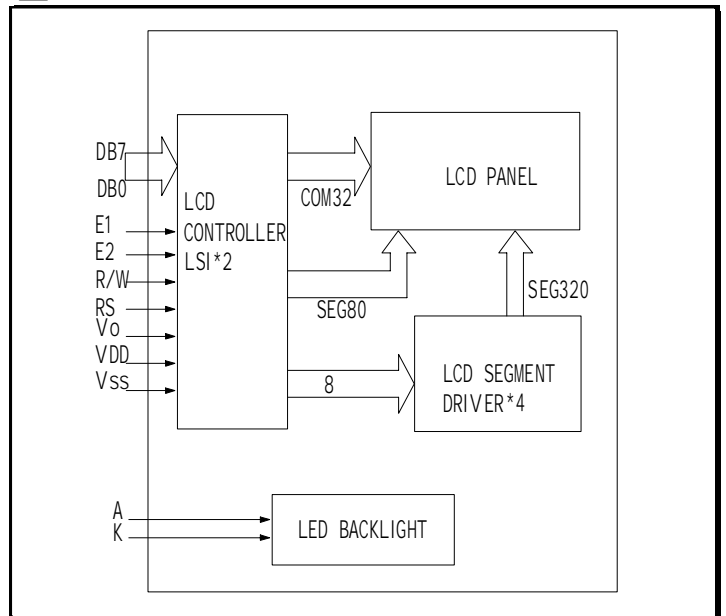
INTERFACE PIN CONNECTIONS

NO.	SYMBOL	FUNCTION	NO.	SYMBOL	FUNCTION
2	NC	No Control	15	DB2	Data Bit 2
3	E2	Enable IC2	17	DB3	Data Bit 3
4	Vo	Contrast Adj.	19	DB4	Data Bit 4
5	R/W	Read/Write	20	Vss	Supply Ground
7	RS	Register Select	21	DB5	Data Bit 5
9	E1	Enable IC1	22	VDD	Supply Voltage
11	DB0	Data Bit 0	23	DB6	Data Bit 6
13	DB1	Data Bit 1	25	DB7	Data Bit 7

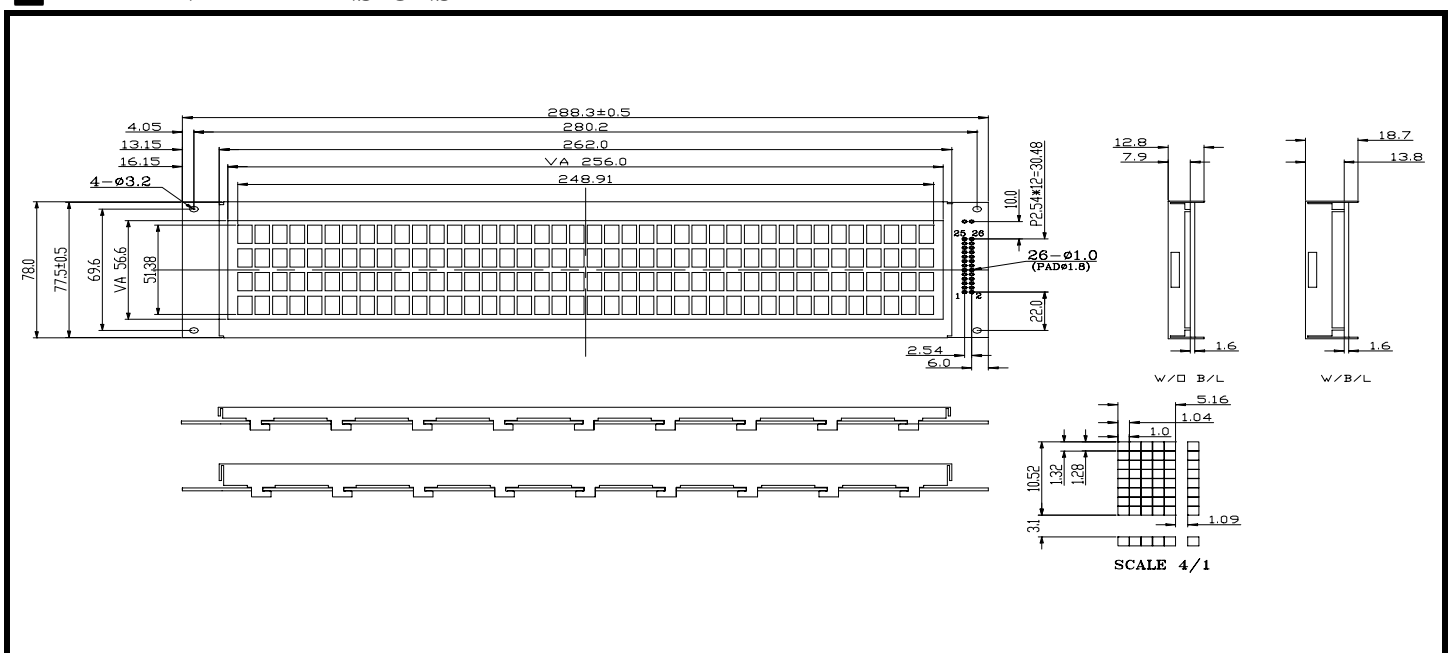
ELECTRICAL CHARACTERISTICS

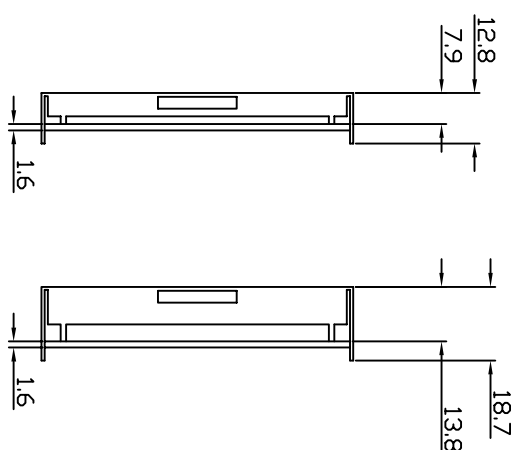
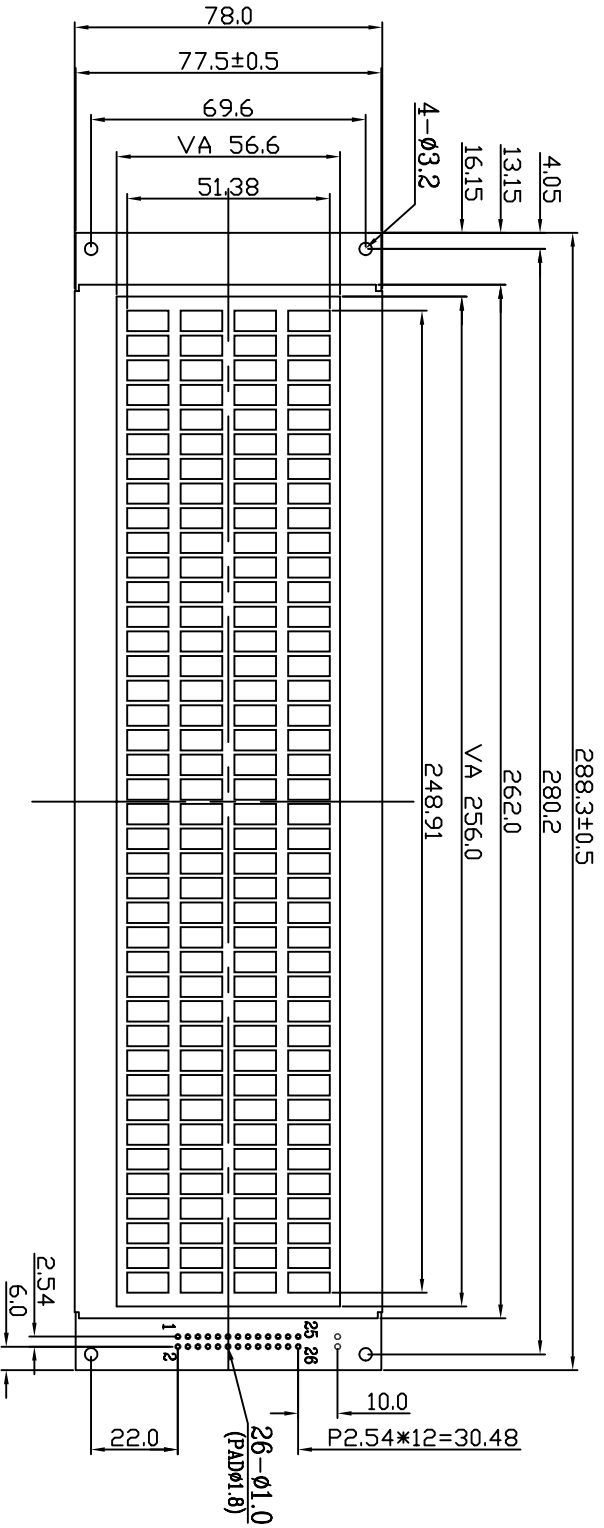
ITEM	SYMBOL	CONDITION	MIN.	TYP.	MAX.	UNIT
LCD Operating Voltage	V _{DD-Vo}	T=0°C	-	4.8	-	V
		T=25°C	-	4.5	-	V
		T=50°C	-	4.2	-	V
Supply Voltage	V _{DD-Vss}	-	4.7	5	5.3	V
Supply Current	I _{DD}	-	-	5.2	10.8	mA
Input Voltage	"HIGH" Level	V _{IH}	-	2.2	-	V _{DD} V
	"LOW" Level	V _{IL}	-	0	-	0.6 V
Output Voltage	"HIGH" Level	V _{OH}	-	2.4	-	V
	"LOW" Level	V _{OL}	-	-	-	0.4 V

BLOCK DIAGRAM

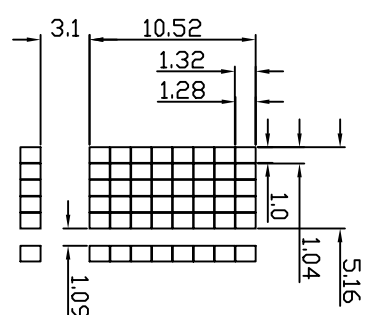
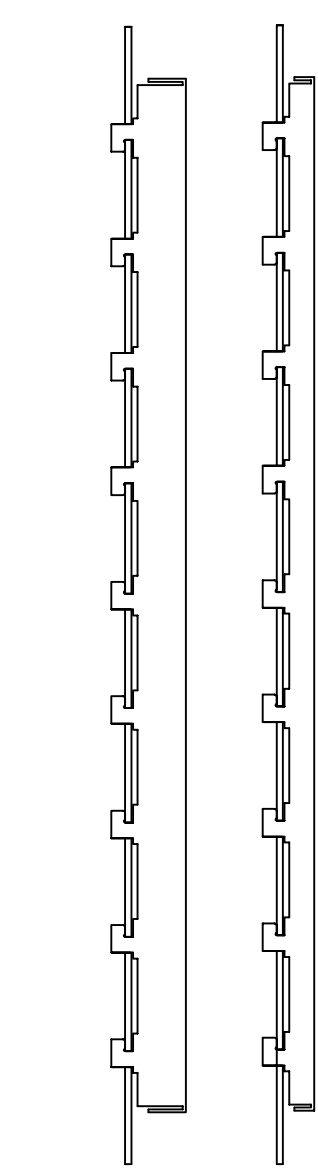


EXTERNAL DIMENSIONS





PIN NO.	SIGNAL
1	A
2	K
3	E2
4	Vo
5	R/W
6	NC
7	K3
8	VSS
9	K1
10	VSS
11	DB0
12	VSS
13	DB1
14	VSS
15	DB2
16	VSS
17	DB3
18	VSS
19	DB4
20	VSS
21	DB5
22	VDD
23	DB6
24	VDD
25	DB7
26	NC



SCALE 4:1

NOTE	ITEM	CONTENT	DATA	REV	TOLERANCE	SCALE	UNIT	DWYN	CUSTOMER DATE	APVL	TITLE	MODEL	DWG NO	PAGE
		CHANGE NUMBER	2004.03.01	0	X. ±0.30 X ±0.20 .XX±0.05	1/1	mm	APVD CHKD Hsu	2004.03.01		MODULE	SC4004B	A-A1-0036	1/1
						SUNLIKE DISPLAY								