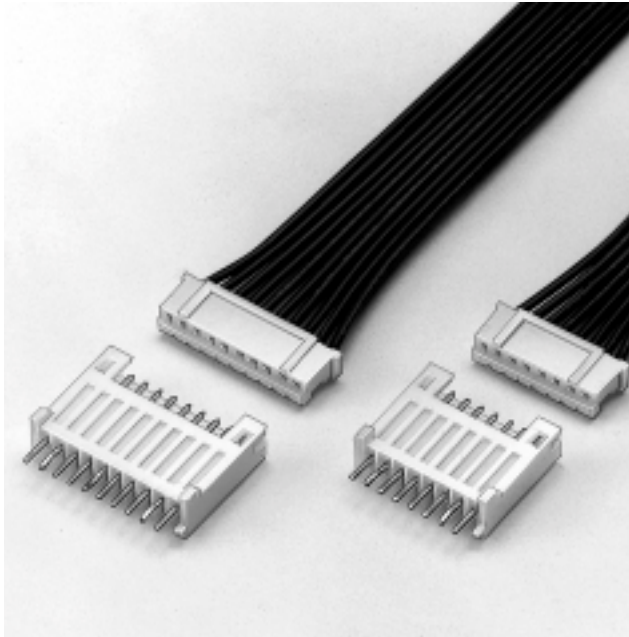
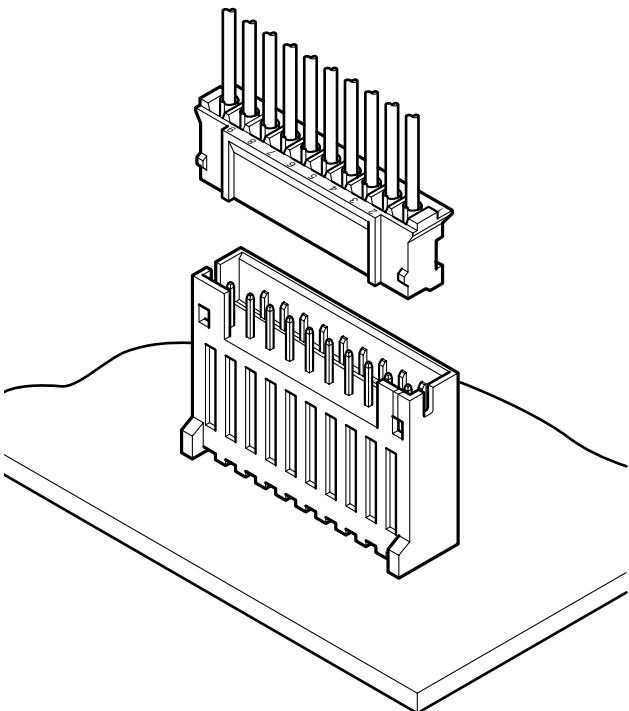


PH CONNECTOR (High box type)

Disconnectable Crimp style connectors



Header for 2.0mm (.079") pitch PH connector for use specifically with resin coated ("potted") PC boards.



Features

- **Header for 2.0mm (.079") pitch PH connector for use specifically with resin coated ("potted") PC boards**

This header is tall and fully shrouded so as to prevent the resin used to coat the PC board from coming into contact with the mating pins.

- **Interchangeability**

Designed to accept either PH or KR mating sockets.

Specifications

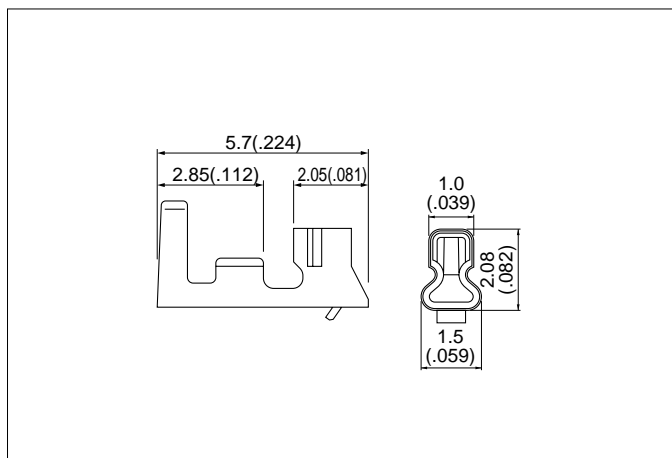
- Current rating: 2A AC, DC (AWG#24)
 - Voltage rating: 100V AC, DC
 - Temperature range: -25°C to +85°C
(including temperature rise in applying electrical current)
 - Contact resistance: Initial value/10m Ω max.
After environmental testing/20m Ω max.
 - Insulation resistance: 1,000M Ω min.
 - Withstanding voltage: 800V AC/minute
 - Applicable wire: AWG #30 to #24
 - Applicable PC board thickness: 0.8 to 1.6mm(.031" to .063")
- * Contact JST for details

Standards

- Recognized E60389
- 1 Certified LR20812
- 2 R75087

PH CONNECTOR (High box type)

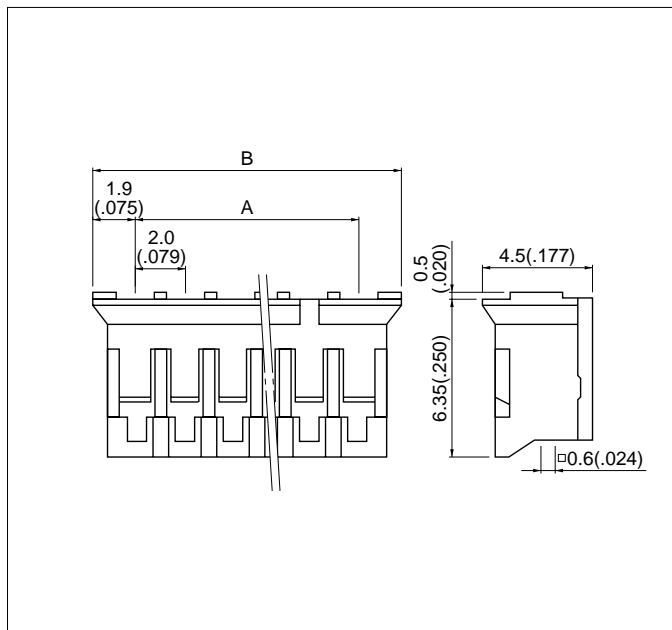
Contact



Model No.	Applicable wire			Q'ty / reel
	mm ²	AWG #	Insulation O.D. mm(in.)	
SPH-002T-P0.5S	0.05 to 0.22	30 to 24	0.9 to 1.5(.035 to .059)	8,000

Material and Finish
Phosphor bronze, tin-plated

Housing



Circuits	Model No.	Dimensions mm(in.)		Q'ty / box
		A	B	
2	PHR- 2	2.0(.079)	5.8(.228)	1,000
3	PHR- 3	4.0(.157)	7.8(.307)	1,000
4	PHR- 4	6.0(.236)	9.8(.386)	1,000
5	PHR- 5	8.0(.315)	11.8(.465)	1,000
6	PHR- 6	10.0(.394)	13.8(.543)	1,000
7	PHR- 7	12.0(.472)	15.8(.622)	1,000
8	PHR- 8	14.0(.551)	17.8(.701)	1,000
9	PHR- 9	16.0(.630)	19.8(.780)	1,000
10	PHR-10	18.0(.709)	21.8(.858)	1,000
11	PHR-11	20.0(.787)	23.8(.937)	1,000
12	PHR-12	22.0(.866)	25.8(1.016)	1,000
13	PHR-13	24.0(.945)	27.8(1.095)	1,000

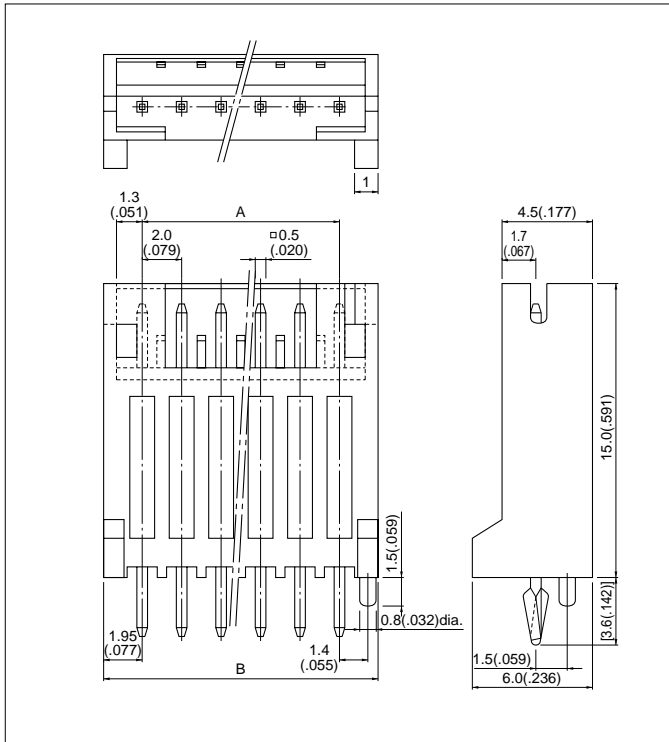
Material and Finish
Nylon 66, UL94V-0, natural (white)

<For reference> As the color identification, the following alphabet shall be put in the underlined part. For availability, delivery and minimum order quantity, contact JST.

ex. **PHR-2-oo**
 (blank)...natural (white)
 BK...black R...red BL...blue Y...yellow

PH CONNECTOR (High box type)

Shrouded header



Cir- cuits	Model No.	Dimensions mm(in.)		Q'ty / box
		A	B	
2	BH 2B-PH	2.0(.079)	5.9(.232)	800
3	BH 3B-PH	4.0(.157)	7.9(.311)	480
4	BH 4B-PH	6.0(.236)	9.9(.390)	400
5	BH 5B-PH	8.0(.315)	11.9(.469)	390
6	BH 6B-PH	10.0(.394)	13.9(.547)	300
7	BH 7B-PH	12.0(.472)	15.9(.626)	240
8	BH 8B-PH	14.0(.551)	17.9(.705)	240
9	BH 9B-PH	16.0(.630)	19.9(.783)	200
10	BH10B-PH	18.0(.709)	21.9(.862)	200
11	BH11B-PH	20.0(.787)	23.9(.941)	150
12	BH12B-PH	22.0(.866)	25.9(1.020)	150
13	BH13B-PH	24.0(.945)	27.9(1.098)	100

Material and Finish

Post: Brass, copper-undercoated, tin/lead-plated
Wafer: Nylon 66, UL94V-0, natural (white)

<For reference> As the color identification,
the following alphabet shall be put in the underlined part.
For availability, delivery and minimum order quantity, contact JST.

ex. **BH2B-PH-oo**
(blank)...natural (white)
K...black R...red E...blue Y...yellow

PC board layout (viewed from component side) and Assembly layout



Note:

1. Tolerances are non-cumulative: $\pm 0.05\text{mm}(\pm 0.002")$ for all centers.
2. Hole dimensions differ according to the kind of printed circuit board and piercing method. If printed circuit boards made of hard material such as FR-4 are used, the hole dimensions should be larger. The hole dimensions shown above are reference values. Contact JST for details.

Applicator for the semi-automatic press AP-K2N

Contact	Crimp applicator MKS-L		Compact crimp applicator MKS-LS		Strip-crimp applicator MKS-SC
	with safety cover	without safety cover	with safety cover	without safety cover	with safety cover
SPH-002T-P0.5S	APLMK SPH002-05S	APLNC SPH002-05S	APLMKLS SPH002-05S	APLLSNC SPH002-05S	APLSC SPH002-05S