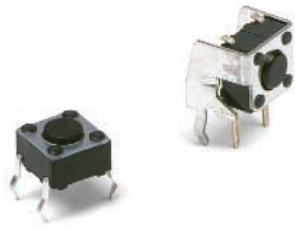


# PTS645 Series 6 mm Tact Switches



## Features/Benefits

- Compact size 6 x 6 mm
- Variety of actuator lengths
- Choice of actuation force

## Typical Applications

- Consumer products
- Instrumentation
- Computer products
- Industrial

## Specification

FUNCTION: Momentary action  
CONTACT ARRANGEMENT: SPST, N.O.  
TERMINALS: PC pins

## Mechanical

ACTUATION FORCE: PTS645 models: 130 grams, 160 grams, 200 grams, 260 grams  
LIFE EXPECTANCY: 100,000 operations.

## Electrical

CONTACT RATING: 50 mA @ 12 V DC.  
DIELECTRIC STRENGTH: 250 V AC min.  
CONTACT RESISTANCE: 100 mΩ max. initial.  
INSULATION RESISTANCE: 10<sup>11</sup> Ω min.

**NOTE:** Specifications listed above are for switches with standard options.  
For information on specific and custom switches, consult Customer Service Center.

## Environmental

OPERATING TEMPERATURE: -40°C to 60°C

## Process

SOLDERING: Preheating to 100°C for 45 sec. max. Keep flux flush with top surface of PCB; do not apply to component side of PCB and area where terminals are located. Soldering to 255°C for 5 sec. max. Clean by brushing on solder surface. Do not clean switch with solvents.

## Materials

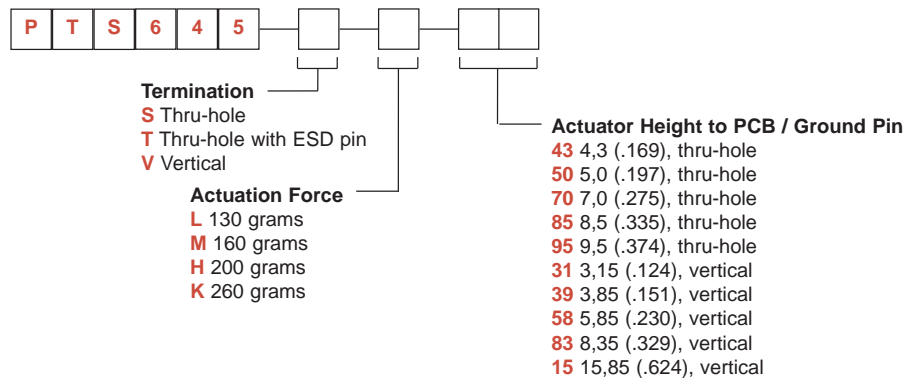
BASE: 6/6 nylon or glass filled polyester (PBT) (UL 94V-0).  
ACTUATOR: 6/6 nylon or polyacetal (UL 94HB).  
COVER PLATE: PTS645S: Polyester or stainless steel.  
PTS645T and PTS645V: Tin alloy or stainless steel.  
DOME CONTACTS: Phosphor bronze, silver clad.  
STATIONARY CONTACTS: Brass, silver plated.  
TERMINALS: Brass, silver plated. Insert molded.

## Packaging

Bulk packaging.

## How To Order

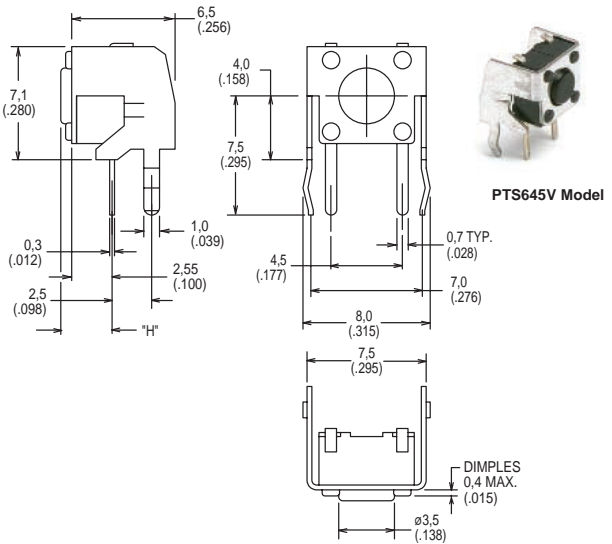
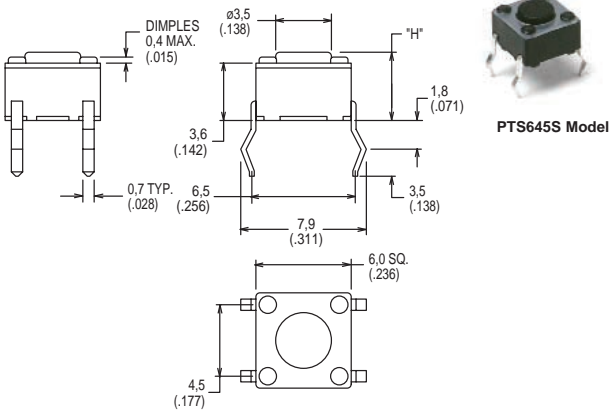
Our easy build-a-switch concept allows you to mix and match options to create the switch you need. To order, select desired option from each category and and place it in the appropriate box.



# PTS645 Series 6 mm Tact Switches

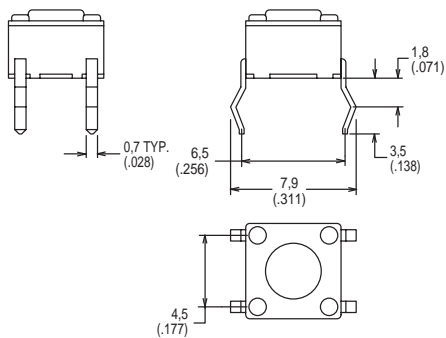
SERIES 

## PTS645

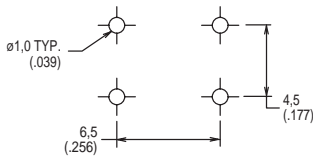


TERMINATION 

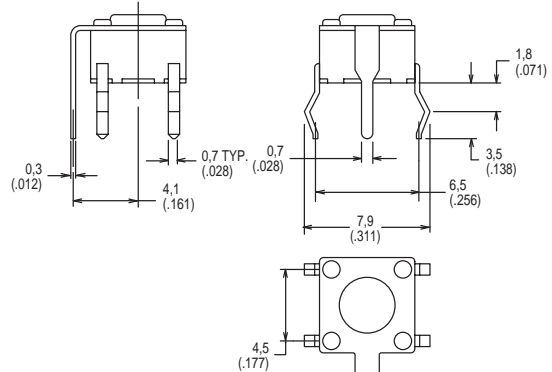
## S STRAIGHT



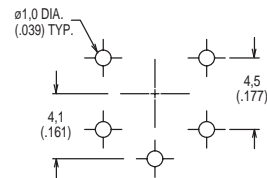
### PCB LAYOUT



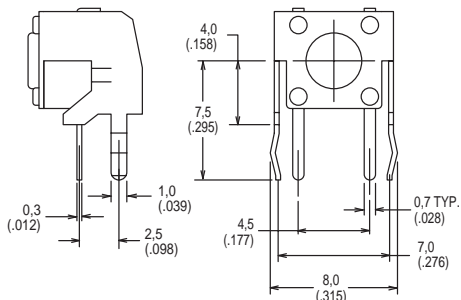
## T STRAIGHT WITH EMC PIN



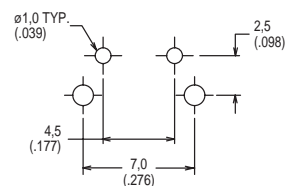
### PCB LAYOUT



## V VERTICAL



### PCB LAYOUT

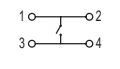
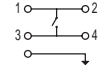
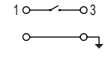
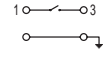


# PTS645 Series 6 mm Tact Switches

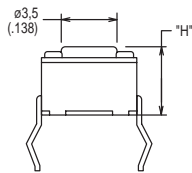
## ACTUATION FORCE

OPTION CODE	FORCE
<b>L</b>	130 grams
<b>M</b>	160 grams
<b>H</b>	200 grams
<b>K</b>	260 grams

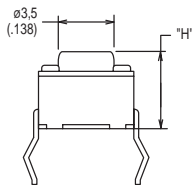
## ACTUATOR HEIGHT

OPTION CODE	HEIGHT "H" or LENGTH "L"	TERMINATION	SCHEMATIC	
			Without EMC pin	With EMC pin
<b>43</b>	4,3 (.169)	Thru-hole		
<b>50</b>	5,0 (.197)	Thru-hole		
<b>70</b>	7,0 (.275)	Thru-hole		
<b>95</b>	9,5 (.374)	Thru-hole		
<b>31</b>	3,15 (.124)	Vertical		
<b>39</b>	3,85 (.151)	Vertical		
<b>58</b>	5,85 (.230)	Vertical		
<b>83</b>	8,35 (.329)	Vertical		
<b>15</b>	15,85 (.624)	Vertical		

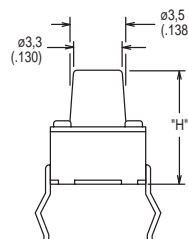
**43**



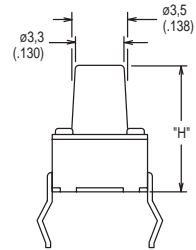
**50**



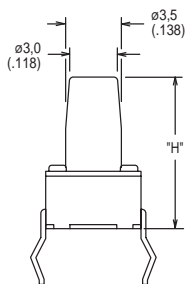
**70**



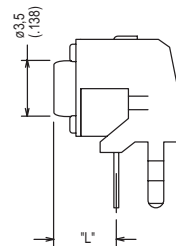
**85**



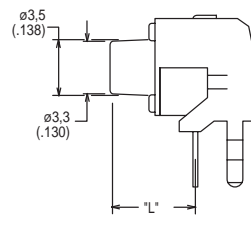
**95**



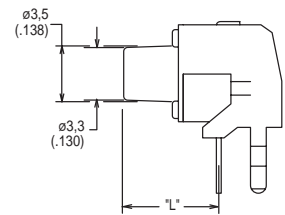
**31**



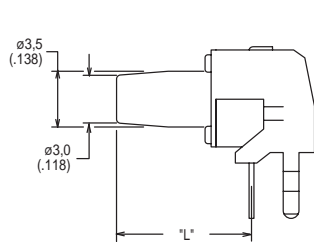
**39**



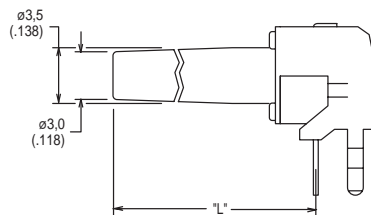
**58**



**83**



**15**



**B** Tactile Switches