

IrDA Infrared Communication Module

RPM960-H14

RPM960-H14 is an infrared communication module for IrDA Ver. 1.3 (Low Power). The infrared LED, PIN photo diode, and LSI are all integrated into one single package. This module is designed for low power consumption. The very small package makes it a perfect fit for mobile devices.

●Features

- 1) Infrared LED, PIN photo diode, LED driver and receiver frequency formation circuit built in.
Improvement of EMI noise protection because of Shield Case.
- 2) Applied to SIR (2.4k to 115.2kbps) and MIR (0.576,1.152Mbps).
- 3) Surface mounting type.
- 4) Power down function built in.
- 5) Adjustable transmission distance by LED load resistance value.

●Applications

Cellular phone, PDA, DVC, Digital still camera, Printer, Handy terminal and etc.

●Absolute maximum ratings (Ta=25°C)

Parameter	Symbol	Limits	Units
Supply Voltage	Vcc/LEDVcc/Vio	6.5 *1	V
Input Voltage	Vin(3,4,5pin)	-0.3 to Vio+0.3	V
Operation Temperature	Topr	-25 to 85	°C
Storage Temperature	Tstg	-30 to 100	°C
LED Peak Current	I _{fp}	400 *2	mA
Power Dissipation	Pd	300 *3	mW

*1) This applies to all pins on the basis of ground pin (8pin).

*2) LED Peak Current : < 90 μs, On duty < 25%

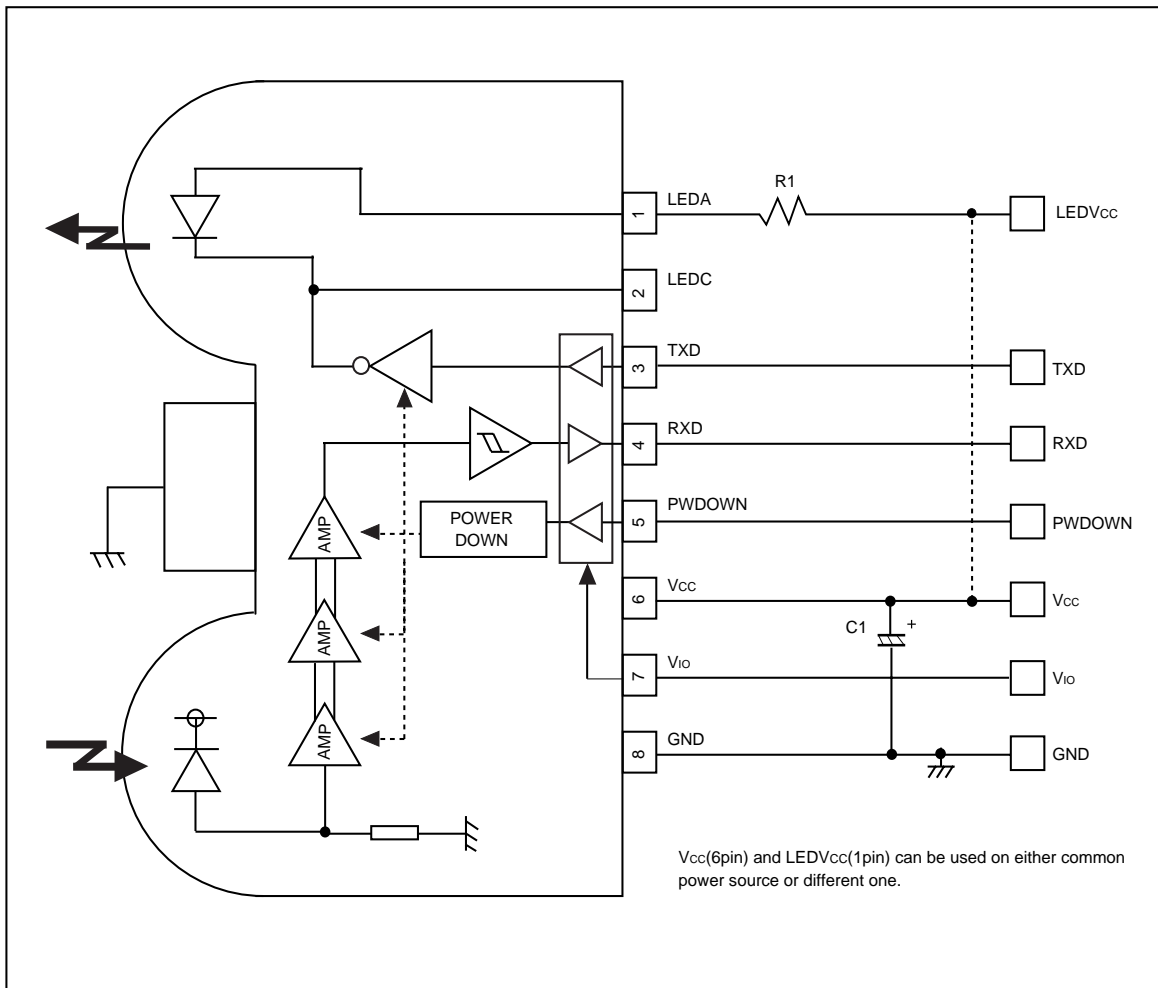
*3) When glass-epoxy board (70x70x1.6mm) mounted. In case of operating environment is over 25°C, 4mW would be reduced per each 1°C stepping up.

●Recommended operating conditions

Parameter	Symbol	Min.	Typ.	Max.	Units
Supply voltage	Vcc	2.4	3.0	3.6	V
	LEDVcc	2.7	3.0	5.5	V
	Vio	1.8	3.0	Vcc	V

Photo Link Module

●Block diagram and application circuit



●Recommended values

Part symbol	Recommended value	Notice
C1	6.8μF, Ceramic or tantalum Ex.) TCFGA1A685M8R (ROHM)	Bigger capacitance is recommended with much noise from power supply.
R1	5.6Ω ±5%, 1/4 W(LEDV _{cc} =3.0V)	More than 50cm distance, more than 10μW/cm ² at detecting side.(vs ver1.1)

In case of using R1 with different condition from the above, formula is as follows :
 LED resistance value : R1[Ω], LED's average consumption current : I_{LED}[mA], Supply voltage : LEDV_{cc}[V]
 necessary d[cm] (Including LED's distribution within ±15 deg)

$$R1 = T \times (LEDV_{cc} - 1.45) / d^2 - 5 [\Omega]$$

$$I_{LED} = \text{Duty} \times (LEDV_{cc} - 1.36) / (R1 + 4) [A]$$

Duty : LED duty at emitting, T=17000

* At I_{LED} / Duty < 180 mA

Photo Link Module

●Terminal description

Pin No	Terminal	Circuit	Function
1	LEDA		LED Anode Terminal Other power source can be used difference between LEDV _{cc} and V _{cc} . LED current depends on LED load resistance value. Include internal current limiter (max.400mA).
2	LEDC		LED Cathode Terminal This terminal must be left open.
3	TXD		Transmitting Data Input Terminal H:LED radiant (PDOWN=L) CMOS Logic Level Input. Holding TXD="H" status, LED will be turned off at approximately 48 μs.
4	RXD		Receiving Data Output Terminal When PDOWN(5pin)="H", the RXD output will be pulled up to Vio at approximately 300 kΩ.
5	PDOWN		Power-down Control Terminal H: POWERDOWN L : OPERATION CMOS Logic Level Input. When input is "H", it will stop the receiving circuit, Pin-PD current and transmitting LED operation.
6	V _{cc}		V_{cc} Supply voltage for Transceiver circuits. For preventing from infection, connect a capacitor between GND(8pin).
7	V _{io}		V_{io} Supply voltage for I / O pins (PDOWN,RXD,TXD).
8	GND		GROUND
-	Shield Case		Connect to Ground.

Photo Link Module

●Electrical characteristics (Unless otherwise noted, $V_{CC}=3V$, $LEDV_{CC}=3V$, $V_{IO}=3V$, $T_a=25^{\circ}C$)

Parameter	Symbol	Min.	Typ.	Max.	Unit	Conditions
Consumption current 1	I _{cc1}	270	440	610	μA	PWDOWN=OV, At no input light
Consumption current 2	I _{cc2}	–	0.01	0.2	μA	PWDOWN=V _{IO} , At no input light
Transmission rate		2.4	–	1152	kbps	
PWDOWN input high voltage	VPDH	2/3*V _{IO}	–	V _{IO}	V	V _{IO} = 1.8 to 3.6 V (V _{IO} ≤ V _{CC})
PWDOWN input low voltage	VPDL	0	–	1/3*V _{IO}	V	
PWDOWN input high current	IPDH	–1.0	0	1.0	μA	PWDOWN=V _{IO}
PWDOWN input low current	IPDL	–1.0	0	1.0	μA	PWDOWN=0V
< Transmitter >						
TXD input high voltage	VTXH	2/3*V _{IO}	–	V _{IO}	V	V _{IO} =1.8 to 3.6 V (V _{IO} ≤ V _{CC})
TXD input low voltage	VTXL	0	–	1/3*V _{IO}	V	
TXD input high current	ITXH	2.5	5	10	μA	TXD=V _{IO}
TXD input low current	ITXL	–1.0	0	1.0	μA	TXD=0 V
LED anode current 1	I _{LED1}	–	170	–	mA	R1=5.6Ω
LED anode current 2	I _{LED2}	180	260	400	mA	R1=5.6Ω LEDV _{CC} =5.5V
< Receiver >						
RXD output high voltage	VRXH	V _{IO} –0.4	–	V _{IO}	V	IRXH=–200μA
RXD output low voltage	VRXL	0	–	0.4	V	IRXL=200μA
RXD output rise time	t _{RR}	–	20	–	ns	C _L =15pF
RXD output fall time	t _{FR}	–	20	–	ns	C _L =15pF
RXD output pulse width	t _{wRXD}	228	380	532	ns	C _L =15pF, 2.4k to 1.152 Mbps
RXD output pulse edge jitter	T _{jrxd}	–	–	160	ns	1.152 Mbps
Receiver latency time	t _{RT}	–	100	200	μs	

●Optical characteristics (Unless otherwise noted, $V_{CC}=3V$, $LEDV_{CC}=3V$, $V_{IO}=3V$, $T_a=25^{\circ}C$)

Parameter	Symbol	Min.	Typ.	Max.	Unit	Conditions
Peak wave length	λ _P	850	870	900	nm	
Intensity1	IE1	25	63	200	mW / Sr	–15 deg ≤ θ _L ≤ 15 deg R1=5.6Ω
Half-angle	θ _L / 2	–	±18	–	deg	
Rise time / Fall time	T _r / T _f	–	–	40	ns	10% to 90%
Optical over shoot		–	–	25	%	
Edge jitter	T _j	–25	–	25	ns	
Optical pulse width	T _{we}	172	217	256	ns	t _{TXD} =217 ns
Minimum irradiance in angular	E _{emin}	–	9	14	μW / cm ²	–15 deg ≤ θ _L ≤ 15 deg
Maximum irradiance in angular	E _{emax}	500	–	–	mW / cm ²	–15 deg ≤ θ _L ≤ 15 deg
Input half-angle	θ _D / 2	±15	–	–	deg	
Maximum emitting time	T _{LEDmax}	16	48	120	μs	TXD=V _{IO}

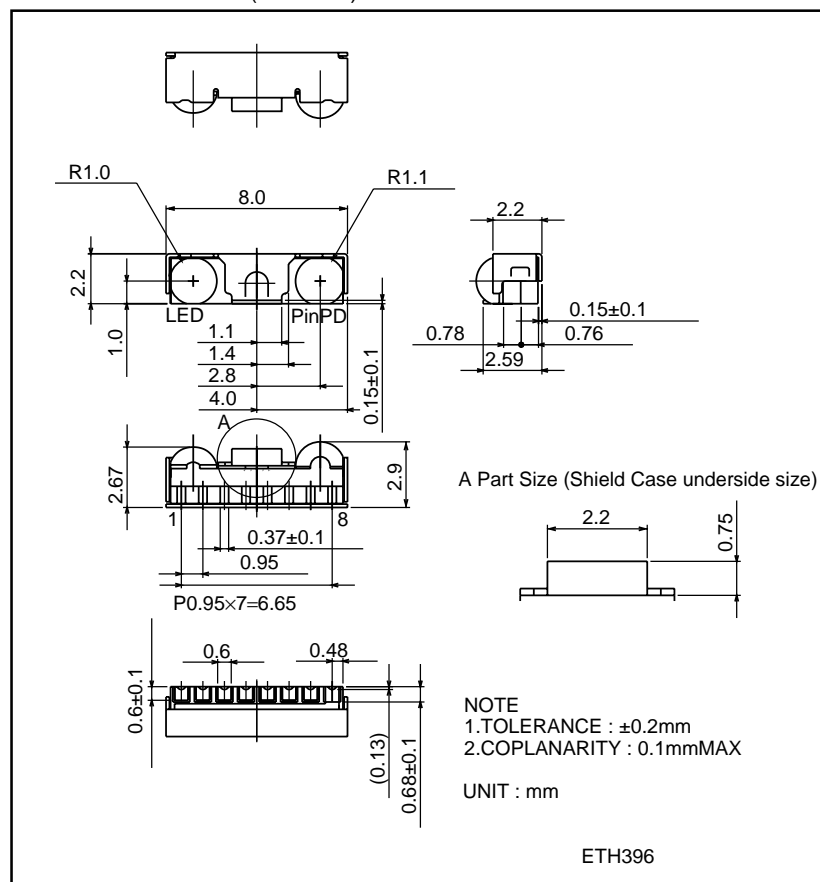
1. This product is not designed for protection against radioactive rays.
2. This product dose not include laser transmitter.
3. This product includes one PIN photo diode.
4. This product dose not include optical load.

Photo Link Module

●Notes

- 1) LEDV_{CC} (1pin), V_{CC} (6pin) and V_{IO} (7pin)
 - Other power source can be used difference between LEDV_{CC} and V_{CC} and V_{IO}. (V_{IO} < V_{CC}+0.3V)
- 2) Caution in designing board lay-out
 - To get maximum potential from RPM960-H14, please keep in mind following instruction.
 - The line of RXD (4pin) should be connected at backside via through hole close to RPM960-H14 pin lead. Better not to be close to photo diode side (8pin side).
 - ⇒ This is to minimize feedback supplied to photo diode from RXD.
 - Better to be placed at more than 1.0cm radius from photo diode (8pin side) and also away from the parts which generate noise, such as DC / DC converter.
 - As for C1 between 6 and 8 pins, it should be placed close to RPM960-H14.
- 3) Notes
 - Please be sure to set up the TXD (3pin) input to be "L" (under 0.6V) except transmitting data.
(For < 90μ sec. ON duty < 25%).
 - Powerdown current might increase if exposed by strong light (ex. direct sunlight) at powerdown mode.
 - Please use by the signal format which is specified by IrDA Ver1.3 (Low Power) except 4 Mbps.
There might be on error if used by different signal format.
- 4) Eye safe
 - EN60825-1 (IEC60825-1 amendment2), Class1 Eye safe.

●External dimensions (Unit : mm)



Notes

- No technical content pages of this document may be reproduced in any form or transmitted by any means without prior permission of ROHM CO.,LTD.
- The contents described herein are subject to change without notice. The specifications for the product described in this document are for reference only. Upon actual use, therefore, please request that specifications to be separately delivered.
- Application circuit diagrams and circuit constants contained herein are shown as examples of standard use and operation. Please pay careful attention to the peripheral conditions when designing circuits and deciding upon circuit constants in the set.
- Any data, including, but not limited to application circuit diagrams information, described herein are intended only as illustrations of such devices and not as the specifications for such devices. ROHM CO.,LTD. disclaims any warranty that any use of such devices shall be free from infringement of any third party's intellectual property rights or other proprietary rights, and further, assumes no liability of whatsoever nature in the event of any such infringement, or arising from or connected with or related to the use of such devices.
- Upon the sale of any such devices, other than for buyer's right to use such devices itself, resell or otherwise dispose of the same, no express or implied right or license to practice or commercially exploit any intellectual property rights or other proprietary rights owned or controlled by
- ROHM CO., LTD. is granted to any such buyer.
- Products listed in this document are no antiradiation design.

The products listed in this document are designed to be used with ordinary electronic equipment or devices (such as audio visual equipment, office-automation equipment, communications devices, electrical appliances and electronic toys).

Should you intend to use these products with equipment or devices which require an extremely high level of reliability and the malfunction of which would directly endanger human life (such as medical instruments, transportation equipment, aerospace machinery, nuclear-reactor controllers, fuel controllers and other safety devices), please be sure to consult with our sales representative in advance.

About Export Control Order in Japan

Products described herein are the objects of controlled goods in Annex 1 (Item 16) of Export Trade Control Order in Japan.

In case of export from Japan, please confirm if it applies to "objective" criteria or an "informed" (by MITI clause) on the basis of "catch all controls for Non-Proliferation of Weapons of Mass Destruction.