

PLEASE CHECK WWW.MOLEX.COM FOR LATEST PART INFORMATION

Part Number: [0190770009](#)
Status: **Active**
Description: Avikrimp™ Steel Star Ring Tongue Terminal 18-22 AWG Wire, Stud Size 6

Documents:

[Drawing \(PDF\)](#) [RoHS Certificate of Compliance \(PDF\)](#)

Agency Certification

CSA LR18689
 UL E32244

General

Product Family Ring and Spade Terminals
 Series [19077](#)
 Crimp Quality Equipment Yes
 Mil-Spec N/A
 Product Name Avikrimp™
 Type Ring

Physical

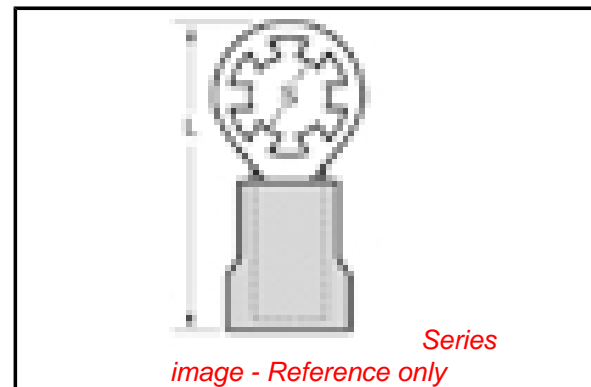
Barrel Type Closed
 Flammability 94V-2
 Insulation Nylon (PA)
 Material - Plating Mating Tin
 Packaging Type Bag
 Plating min: Mating (µin) 100
 Plating min: Mating (µm) 2.5
 Plating min: Termination (µin) 100
 Plating min: Termination (µm) 2.5
 Stud Size 6 (M3.5)
 Termination Interface: Style Crimp or Compression
 Wire Insulation Diameter 3.51mm (.138") max.
 Wire Size AWG 18, 20, 22
 Wire Size mm² 0.25 - 1.30

Material Info

Old Part Number SRA-S-829-06

Reference - Drawing Numbers

Sales Drawing SD-19077-002



EU RoHS

ELV and RoHS Compliant
REACH SVHC
 Not Reviewed
Halogen-Free Status
 Not Reviewed

China RoHS



Need more information on product environmental compliance?

Email productcompliance@molex.com
 For a multiple part number RoHS Certificate of Compliance, [click here](#)

Please visit the [Contact Us](#) section for any non-product compliance questions.

Search Parts in this Series

[19077Series](#)

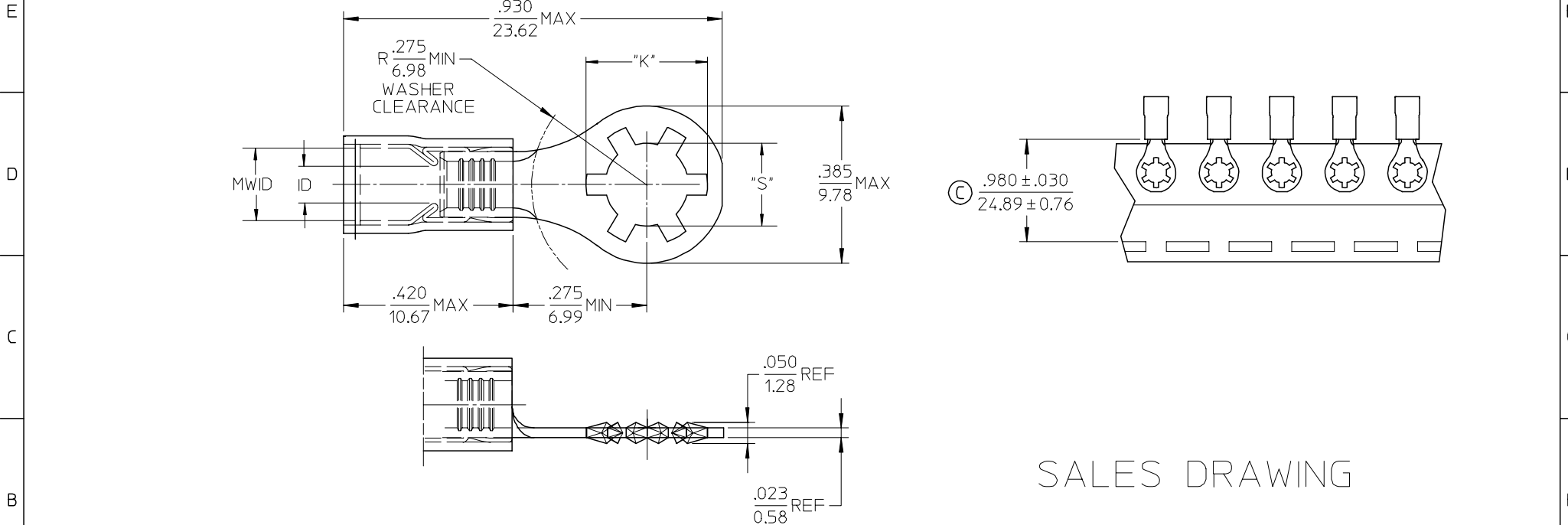
Application Tooling | [FAQ](#)

Tooling specifications and manuals are found by selecting the products below. Crimp Height Specifications are then contained in the Application Tooling Specification document.

Global

Description	Product #
Hand Crimp Tool	0640010500
Crimp Head for the AT-200™ Pneumatic Hand Tool	0640050500

MATERIAL NO.	ENG. NO.	MATERIAL NO. TAPE MOUNTED	ENG. NO. TAPE MOUNTED	STUD SIZE	"S" ±.005/.127	"K" REF DIA	WIRE RANGE AWG / MM ²	INSULATION COLOR	I.D. MIN	MWID
190770009	SRA-S-829-06	190770010	SRA-S-829-06T	6	.146 (3.71)	.236 (5.99)	22-18/.25-1.3	RED	.062/1.57	.138/3.51
190770011	SRA-S-829-08	190770012	SRA-S-829-08T	8	.173 (4.39)	.263 (6.68)				
190770013	SRA-S-829-10	190770014	SRA-S-829-10T	10	.198 (5.03)	.288 (7.32)				
190770021	SRB-S-829-06	190770022	SRB-S-829-06T	6	.146 (3.71)	.236 (5.99)	16-14/1.0-2.6	BLUE	.086/2.18	.169/4.29
190770023	SRB-S-829-08	190770024	SRB-S-829-08T	8	.173 (4.39)	.263 (6.68)				
190770025	SRB-S-829-10	190770026	SRB-S-829-10T	10	.198 (5.03)	.288 (7.32)				



SALES DRAWING

- NOTES:
1. MATERIAL: STEEL.
PLATING: ELECTROPLATE TIN.
 2. FERRULE: BRASS ELECTROPLATE TIN.
PLATING: ELECTROPLATE TIN.
 3. INSULATION: NYLON.
 4. MWID=MAXIMUM WIRE INSULATION DIA.
 5. ALL DIMENSIONS IN INCHES (MM).
 6. ALL COMPONENTS ARE ROHS COMPLIANT. (C)

MODIFY TOL. EC NO: ETC2006-0425 DRWN: CYORK 2006/05/08 CHKD: JMACNEIL 2006/05/11 APPR: RDEROSS 2006/05/11	QUALITY SYMBOLS	GENERAL TOLERANCES (UNLESS SPECIFIED)		SCALE 1:1	DESIGN UNITS INCH	THIRD ANGLE PROJECTION	REVISE ON CAD ONLY
	DESCRIPTION	mm	INCH	DIMENSION STYLE IN/MM		TITLE	
	▽ -0	4 PLACES ± ---	± ---	DRAWN BY DMYRICK	DATE 03/12/22	AVIKRIMP STEEL STAR RING TONGUE TERMINALS MOLEX INCORPORATED	
	▽ -0	3 PLACES ± ---	± .005	CHECKED BY SBEITZEL	DATE 03/12/22		
REV	2 PLACES ± 0.13	± .01	APPROVED BY RDEROSS	DATE 03/12/22	MATERIAL NO. SEE CHART	DOCUMENT NO. SD-19077-002	SHEET NO. 1 OF 1
	1 PLACE ± 0.25	± ---	DRAFT WHERE APPLICABLE MUST REMAIN WITHIN DIMENSIONS		THIS DRAWING CONTAINS INFORMATION THAT IS PROPRIETARY TO MOLEX INCORPORATED AND SHOULD NOT BE USED WITHOUT WRITTEN PERMISSION		