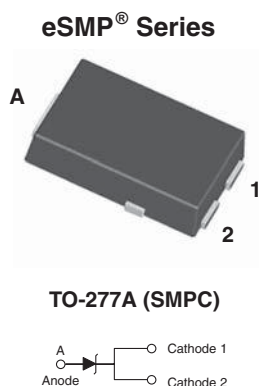




Surface Mount TRANSZORB[®] Transient Voltage Suppressors



FEATURES

- Very low profile - typical height of 1.1 mm
- Ideal for automated placement
- Uni-direction only
- Excellent clamping capability
- Low incremental surge resistance
- Very fast response time
- Meets MSL level 1, per J-STD-020
- Compliant to RoHS Directive 2002/95/EC and in accordance to WEEE 2002/96/EC
- **Halogen-free according to IEC 61249-2-21 definition**



RoHS
COMPLIANT
HALOGEN
FREE

MECHANICAL DATA

Case: TO-277A (SMPC)

Molding compound meets UL 94 V-0 flammability rating
Base P/N-M3 - halogen-free, RoHS compliant, and commercial grade

Terminals: Matte tin plated leads, solderable per J-STD-002 and JESD 22-B102

M3 suffix meets JESD 201 class 1A whisker test

PRIMARY CHARACTERISTICS

V_{WM}	5.0 V to 36 V
P_{PPM}	1500 W
P_D	6.5 W
I_{FSM}	200 A
T_J max.	150 °C

TYPICAL APPLICATIONS

Use in sensitive electronics protection against voltage transients induced by inductive load switching and lighting on ICs, MOSFET, signal lines of sensor units for consumer, computer, industrial and telecommunication. Sensitive equipment against transient overvoltages.

MAXIMUM RATINGS ($T_A = 25\text{ °C}$ unless otherwise noted)

PARAMETER	SYMBOL	VALUE	UNIT
Peak power dissipation with a 10/1000 μ s waveform (fig. 3)	$P_{PPM}^{(1)(2)}$	1500	W
Peak pulse current with a 10/1000 μ s waveform (fig. 1)	$I_{PPM}^{(1)}$	See next table	A
Peak forward surge current 8.3 ms single half sine-wave	$I_{FSM}^{(2)}$	200	A
Power dissipation on infinite heatsink, $T_A = 50\text{ °C}$	P_D	6.5	W
Maximum instantaneous forward voltage at 100 A	$V_F^{(3)}$	3.5	V
Operating junction and storage temperature range	T_J, T_{STG}	- 55 to + 150	°C

Notes

(1) Non-repetitive current pulse, per fig. 3 and derated above $T_A = 25\text{ °C}$ per fig. 2

(2) Measured on 8.3 ms single half sine-wave, or equivalent square wave, duty cycle = 4 pulses per minute maximum

(3) Pulse test: 300 μ s pulse width, 1 % duty cycle

SMPC5.0A thru SMPC36A

Vishay General Semiconductor



ELECTRICAL CHARACTERISTICS (T _A = 25 °C unless otherwise noted)								
DEVICE TYPE	DEVICE MARKING CODE	BREAKDOWN VOLTAGE V _{BR} AT I _T ⁽¹⁾ (V)		TEST CURRENT I _T (mA)	STAND-OFF VOLTAGE V _{WM} (V)	MAXIMUM REVERSE LEAKAGE CURRENT I _R AT V _{WM} (μA)	MAXIMUM PEAK PULSE SURGE CURRENT I _{PPM} ⁽²⁾ (A)	MAXIMUM CLAMPING VOLTAGE AT I _{PPM} V _C (V)
		MIN.	MAX.					
SMPC5.0A	GDE	6.40	7.07	10	5.0	1500	150	10.0
SMPC6.0A	GDG	6.67	7.37	10	6.0	1000	145.6	10.3
SMPC6.5A	GDK	7.22	7.98	10	6.5	500	133.9	11.2
SMPC7.0A	GDM	7.78	8.60	10	7.0	200	125.0	12.0
SMPC7.5A	GDP	8.33	9.21	1.0	7.5	100	116.3	12.9
SMPC8.0A	GDR	8.89	9.83	1.0	8.0	50	110.3	13.6
SMPC8.5A	GDT	9.44	10.4	1.0	8.5	20	104.2	14.4
SMPC9.0A	GDV	10.0	11.1	1.0	9.0	5.0	97.4	15.4
SMPC10A	GDY	11.1	12.3	1.0	10.0	2.0	88.2	17.0
SMPC11A	GDZ	12.2	13.5	1.0	11.0	2.0	82.4	18.2
SMPC12A	GEE	13.3	14.7	1.0	12.0	2.0	75.4	19.9
SMPC13A	GEG	14.4	15.9	1.0	13.0	1.0	69.8	21.5
SMPC14A	GEK	15.6	17.2	1.0	14.0	1.0	64.7	23.2
SMPC15A	GEM	16.7	18.5	1.0	15.0	1.0	61.5	24.4
SMPC16A	GEP	17.8	19.7	1.0	16.0	1.0	57.7	26.0
SMPC17A	GER	18.9	20.9	1.0	17.0	1.0	54.3	27.6
SMPC18A	GET	20.0	22.1	1.0	18.0	1.0	51.4	29.2
SMPC20A	GEV	22.2	24.5	1.0	20.0	1.0	46.3	32.4
SMPC22A	GEX	24.4	26.9	1.0	22.0	1.0	42.3	35.5
SMPC24A	GEZ	26.7	29.5	1.0	24.0	1.0	38.6	38.9
SMPC26A	GFE	28.9	31.0	1.0	26.0	1.0	35.6	42.1
SMPC28A	GFG	31.1	34.4	1.0	28.0	1.0	33.0	45.4
SMPC30A	GFK	33.3	36.8	1.0	30.0	1.0	31.0	48.4
SMPC33A	GFM	36.7	40.6	1.0	33.0	1.0	28.1	53.3
SMPC36A	GFP	40.0	44.2	1.0	36.0	1.0	25.8	58.1

Notes

- (1) Pulse test: t ≤ 50 ms
 (2) Surge current waveform per fig. 3 and derated per fig. 2
 (3) All terms and symbols are consistent with ANSI/IEEE C62.35

THERMAL CHARACTERISTICS (T _A = 25 °C unless otherwise noted)			
PARAMETER	SYMBOL	VALUE	UNIT
Typical thermal resistance, junction to ambient air	R _{θJA} ⁽¹⁾	125	°C/W
Typical thermal resistance, junction to leads	R _{θJL} ⁽²⁾	15	

Notes

- (1) Mounted on minimum recommended pad layout
 (2) Units mounted on infinite heatsink at T_A = 50 °C

ORDERING INFORMATION (Example)				
PREFERRED P/N	UNIT WEIGHT (g)	PREFERRED PACKAGE CODE	BASE QUANTITY	DELIVERY MODE
SMPC5.0A-M3/86A	0.10	86A	1500	7" diameter plastic tape and reel
SMPC5.0A-M3/87A	0.10	87A	6500	13" diameter plastic tape and reel



RATINGS AND CHARACTERISTICS CURVES

($T_A = 25\text{ }^\circ\text{C}$ unless otherwise noted)

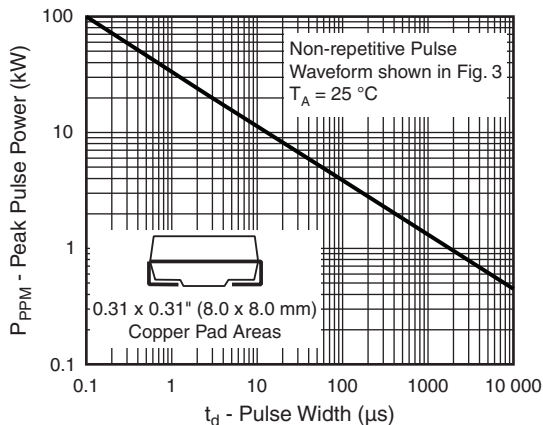


Fig. 1 - Peak Pulse Power Rating Curve

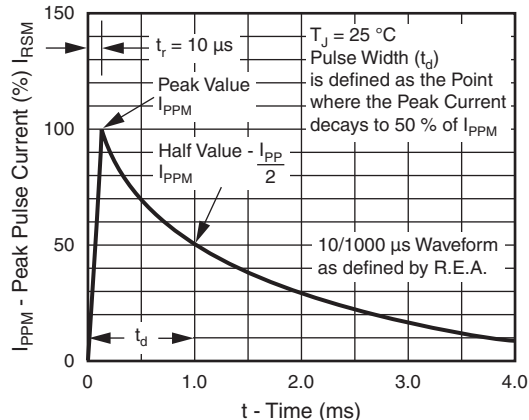


Fig. 3 - Pulse Waveform

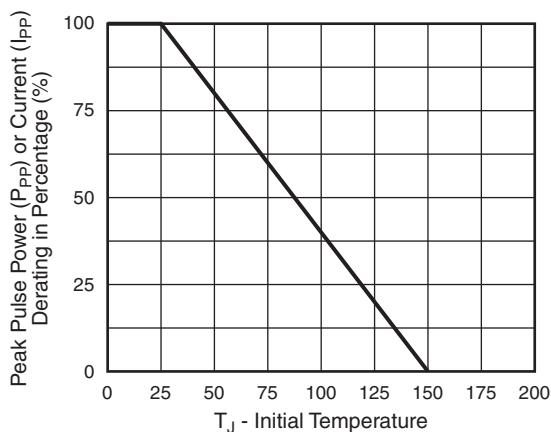


Fig. 2 - Pulse Power or Current vs. Initial Junction Temperature

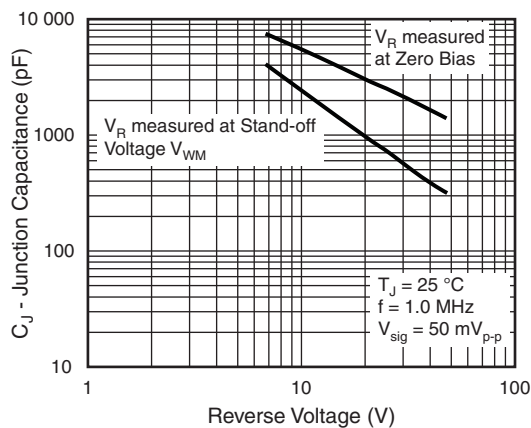


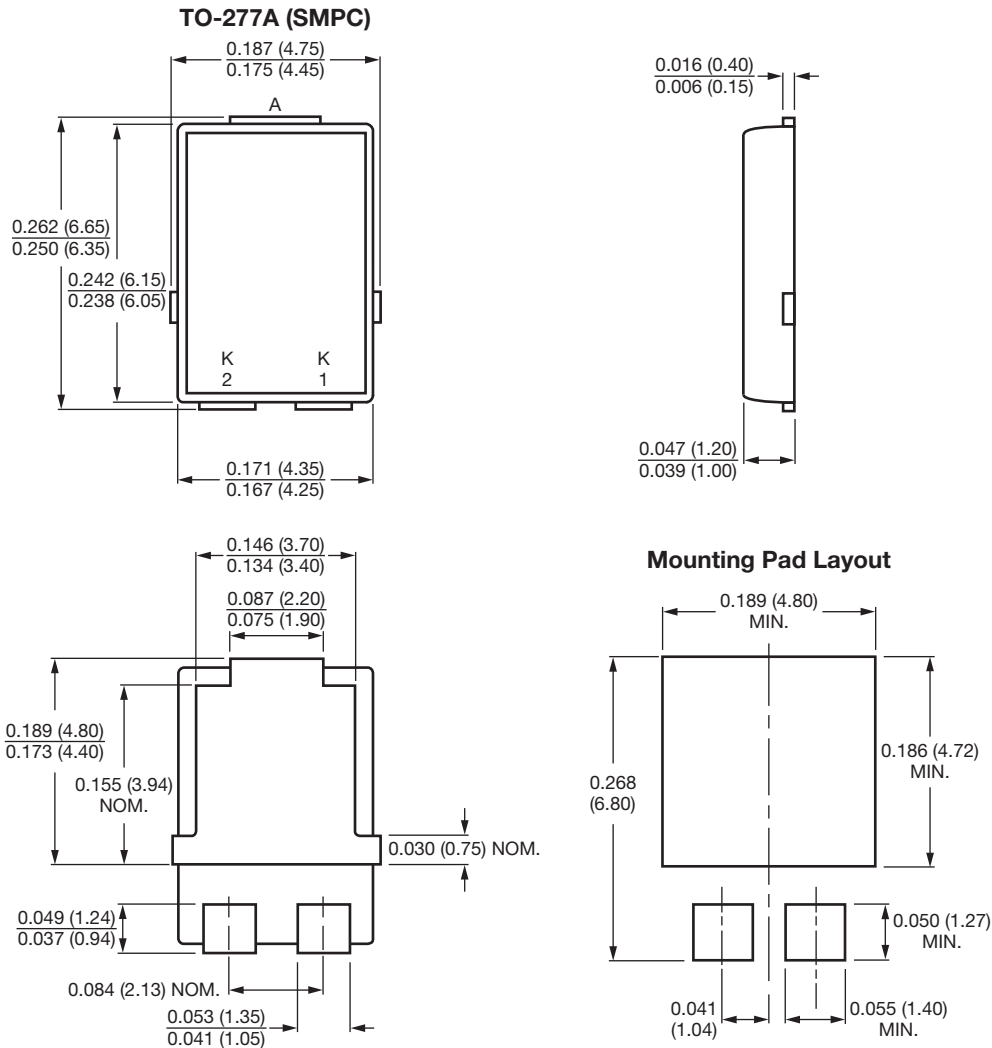
Fig. 4 - Typical Junction Capacitance

SMPC5.0A thru SMPC36A

Vishay General Semiconductor



PACKAGE OUTLINE DIMENSIONS in inches (millimeters)



Conform to JEDEC TO-277A



Disclaimer

ALL PRODUCT, PRODUCT SPECIFICATIONS AND DATA ARE SUBJECT TO CHANGE WITHOUT NOTICE TO IMPROVE RELIABILITY, FUNCTION OR DESIGN OR OTHERWISE.

Vishay Intertechnology, Inc., its affiliates, agents, and employees, and all persons acting on its or their behalf (collectively, "Vishay"), disclaim any and all liability for any errors, inaccuracies or incompleteness contained in any datasheet or in any other disclosure relating to any product.

Vishay makes no warranty, representation or guarantee regarding the suitability of the products for any particular purpose or the continuing production of any product. To the maximum extent permitted by applicable law, Vishay disclaims (i) any and all liability arising out of the application or use of any product, (ii) any and all liability, including without limitation special, consequential or incidental damages, and (iii) any and all implied warranties, including warranties of fitness for particular purpose, non-infringement and merchantability.

Statements regarding the suitability of products for certain types of applications are based on Vishay's knowledge of typical requirements that are often placed on Vishay products in generic applications. Such statements are not binding statements about the suitability of products for a particular application. It is the customer's responsibility to validate that a particular product with the properties described in the product specification is suitable for use in a particular application. Parameters provided in datasheets and/or specifications may vary in different applications and performance may vary over time. All operating parameters, including typical parameters, must be validated for each customer application by the customer's technical experts. Product specifications do not expand or otherwise modify Vishay's terms and conditions of purchase, including but not limited to the warranty expressed therein.

Except as expressly indicated in writing, Vishay products are not designed for use in medical, life-saving, or life-sustaining applications or for any other application in which the failure of the Vishay product could result in personal injury or death. Customers using or selling Vishay products not expressly indicated for use in such applications do so at their own risk and agree to fully indemnify and hold Vishay and its distributors harmless from and against any and all claims, liabilities, expenses and damages arising or resulting in connection with such use or sale, including attorneys fees, even if such claim alleges that Vishay or its distributor was negligent regarding the design or manufacture of the part. Please contact authorized Vishay personnel to obtain written terms and conditions regarding products designed for such applications.

No license, express or implied, by estoppel or otherwise, to any intellectual property rights is granted by this document or by any conduct of Vishay. Product names and markings noted herein may be trademarks of their respective owners.