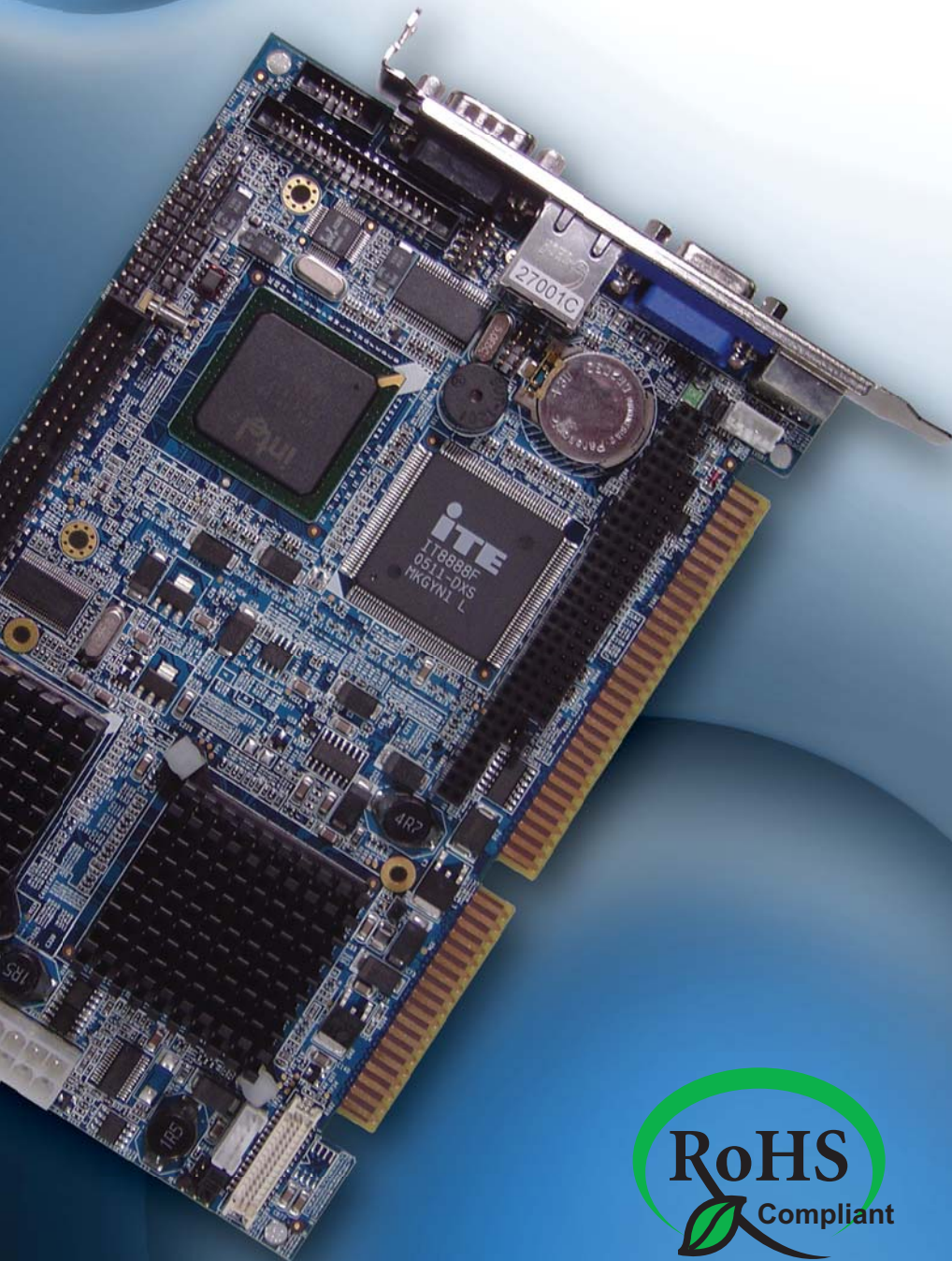


# SBC



## ISA-472LF

ISA ULV Celeron® M  
CPU Card w / VGA /  
Audio / LAN

### Features :

- Support Onboard ULV Celeron® M CPU up to 1GHz
- Equipped with Intel® 852GM Chipset with FSB 400MHz
- Memory Supports DDR 266 SDRAM up to 1GB
- Expansion Slot for PC104
- Support Compact Flash
- Support Wake-on-LAN with ATX power



**PROTECH SYSTEMS**

*It's the right choice*

No. 24, Lane 365, Yang Guang St., Nei Hu District, Taipei 114, Taiwan, R.O.C.

Tel: +886-2-8751-1111

Fax: +886-2-8751-1199

Email: [sales@protech.com.tw](mailto:sales@protech.com.tw)

<http://www.protech.com.tw>

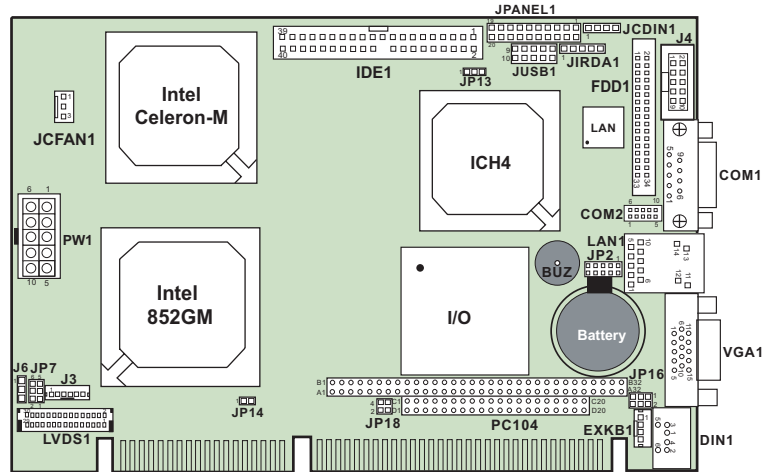


ISO CERTIFIED

9001 14001

# ISA-472LF

ISA ULV Celeron® M CPU Card w / VGA / Audio / LAN



## Specifications

System	
<b>CPU Type</b>	Intel® Celeron® M processor
<b>CPU Frequency</b>	ULV 600MHz / ULV 1GHz (non L2 cache)
<b>Chipset</b>	Intel® 852GM + ICH4 (FSB: 400MHz)
<b>DRAM</b>	1 x 200-pin DDR SO-DIMM, support DDR266 SDRAM up to 1GB
<b>BIOS</b>	Phoenix-Award PnP BIOS, with VGA BIOS
<b>Watchdog</b>	1~255 secs Watchdog timer selectable w / Reset / NMI
<b>Power Supply</b>	Supports AT/ATX power
<b>Power Requirement</b>	+5V, +12V
<b>Power Consumption</b>	+5V : 3.14A / +12V : 0.052A (Celeron® M ULV 600MHz)
<b>Dimension</b>	185mm x 122mm (7.28" x 4.8")

## I/O Chipset

<b>IDE Interface</b>	1 x 40-pin IDE (UDMA 33/66/100)
<b>CF</b>	1 x compact flash slot (IDE)
<b>FDD Interface</b>	1
<b>Bus Interface</b>	PC/104
<b>Serial Port</b>	2 x COM ports, COM1 for RS232, COM2 for RS232/422/485 (for 16550 compatible type of UART)
<b>Parallel Port</b>	1 x parallel (SPP/EPP/ECP)
<b>IrDA</b>	1 (SIR)

<b>Keyboard</b>	Mini DIN connector or external connector
<b>Mouse</b>	Mini DIN connector (selectable w/KB) or Y-cable
<b>LAN</b>	Intel® 82562ET (10/100Mbps) Support Wake-on-LAN with ATX power
<b>Audio</b>	AC '97 Codec, Realtek ALC202A with Line-in / Line-out / MIC
<b>USB</b>	2 x USB 2.0

## Display

<b>Graphic</b>	Built-in Intel® 852GM, share system memory, Support CRT, LVDS
<b>LCD Interface</b>	18/36-bit LVDS

## Environment

<b>Operation Temp.</b>	0°~60°C(32°~140°F)
<b>Storage Temp.</b>	-40°~85°C(-40°~185°F)
<b>Humidity</b>	Operation humidity 20~90%, storage humidity 20~95%

## Ordering Information

<b>ISA-472LF-C600</b>	ISA CPU card w Celeron M ULV 600MHz CPU / VGA / LAN (10/100Mbps)
<b>ISA-472LF-C1000</b>	ISA CPU card w Celeron M ULV 1GHz CPU / VGA / LAN (10/100Mbps)

**Certificate: CE, FCC, CLASS A**

All of trademarks and brand names are the property of their owners. Trademark "Protech" is the property of Protech Systems Co., Ltd. All information contained in this document is subject to change without any prior notice. This catalog is copyrighted in DEC. 2006.