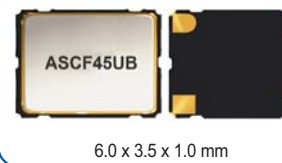


# SURFACE MOUNT CRYSTAL FILTER

ASCF45UB



**RoHS**  
Compliant



6.0 x 3.5 x 1.0 mm

## FEATURES:

- Surface-mount ceramic package
- Reflow capable
- Excellent attenuation bandwidth
- Low height (1.0mm max.)

## APPLICATIONS:

- Mobile communication system
- Pagers
- Cellular and cordless phones
- Radios

## ELECTRICAL SPECIFICATIONS:

### PARAMETERS

ABRACON P/N	ASCF45UB Series
Frequency	45.000 MHz
Operating Temperature	-20°C to + 70°C

Series No.	Pole	Pass Band		Attenuation Band		Ripple (dB)	Loss (dB)
		dB	KHz	dB	KHz		
45UB7A	2	3	± 3.75	10	± 12.5	1.0	2.5
45UB15A	2	3	± 7.5	15	± 25.0	1.0	2.0
45UB20A	2	3	± 10.0	15	± 34.0	1.0	2.0
45UB30A	2	3	± 15.0	15	± 50.0	1.0	2.0

Series No.	Attenuation Guaranteed		Terminal Impedance (Ω//pF)	Case Quantity
	dB	KHz		
45UB7A	65	-910±10	300//10.0	1
45UB15A	40	-910±10	650//4.5	1
45UB20A	40	-910±10	700//2.5	1
45UB30A	35	-910±10	800//1.5	1

## OPTIONS & PART IDENTIFICATION:

[Left blank if standard]

ASCF45UB □□ - □

**Part Number**  
e.g. ASCF45UB7A  
- Please refer to the table above.

**Packaging**

T	Tape and Reel 1,000pcs
---	---------------------------

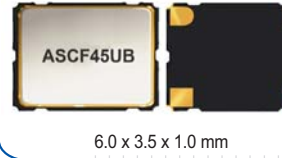


# SURFACE MOUNT CRYSTAL FILTER

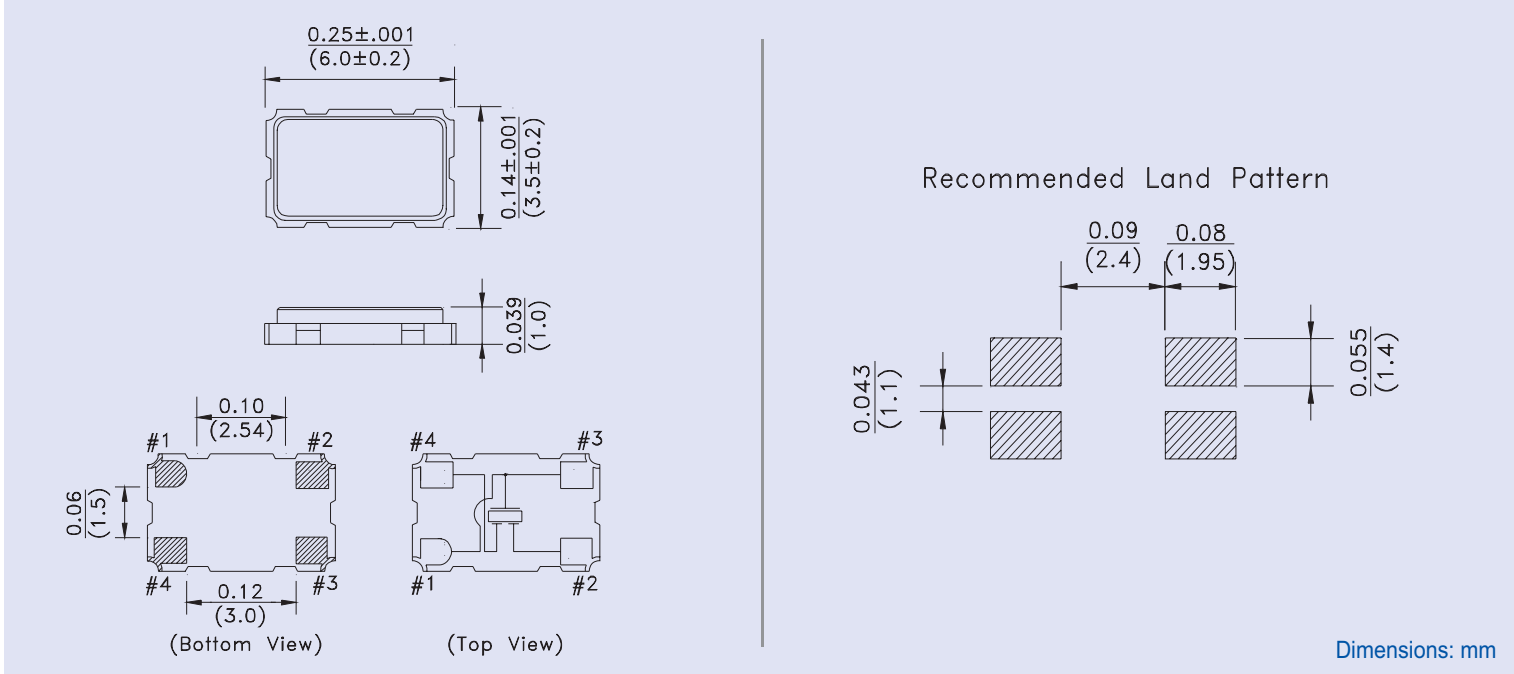
ASCF45UB



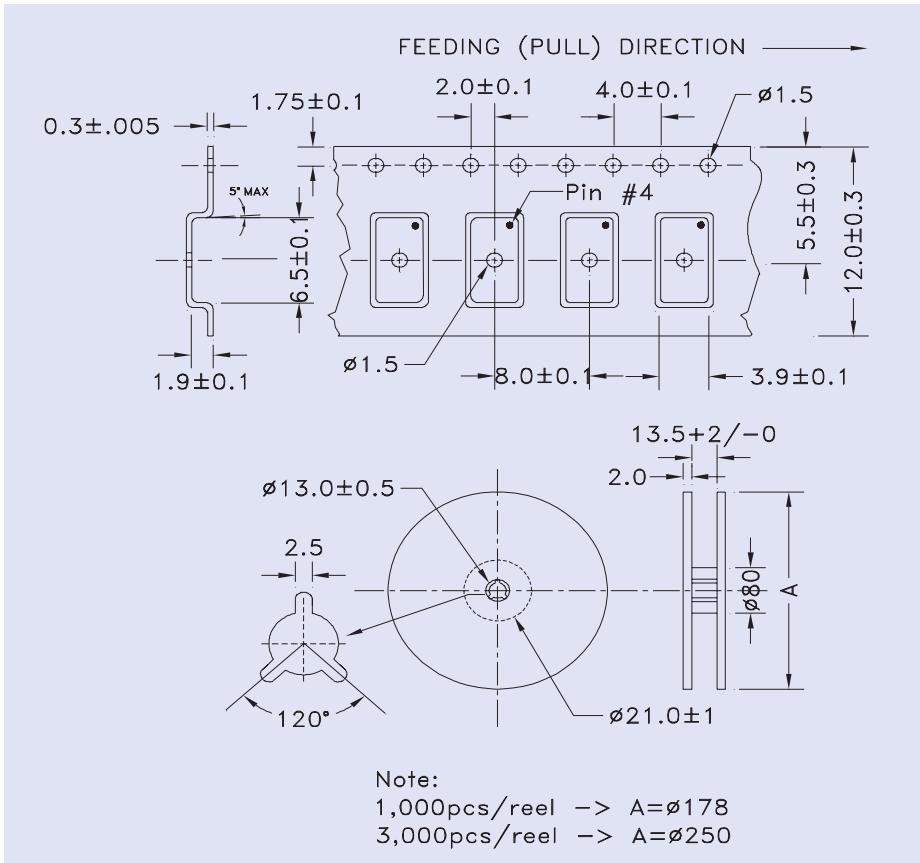
RoHS  
Compliant



## OUTLINE DRAWING:



## TAPE & REEL:



REVISED: 4.10.07

ABRACON IS  
ISO 9001 / QS 9000  
CERTIFIED



ABRACON  
CORPORATION

30332 Esperanza, Rancho Santa Margarita, California 92688  
tel 949-546-8000 | fax 949-546-8001 | [www.abracon.com](http://www.abracon.com)