

MONOLITHIC QUAD H-BRIDGE DRIVER CIRCUIT

DESCRIPTION

The μ PD16877 is monolithic quad H-bridge driver LSI which uses power MOSFETs in the output stages. By using the MOS process, this driver IC has substantially improved saturation voltage and power consumption as compared with conventional driver circuits using bipolar transistors.

By eliminating the charge pump circuit, the current during power-OFF is drastically decreased.

In addition, a low-voltage malfunction prevention circuit is also provided that prevents the IC from malfunctioning when the supply voltage drops.

As the package, a 24-pin plastic TSSOP is adopted to enable the creation of compact, slim application sets.

This driver IC can drive two stepping motor at the same time, and is ideal for driving stepping motors in the lens of a camcorder.

FEATURES

- Four H bridge circuits employing power MOSFETs
- Low current consumption by eliminating charge pump
 - V_M pin current when power-OFF: 10 μ A MAX. V_{DD} pin current: 10 μ A MAX.
- Input logic frequency: 100 kHz
- 3-V power supply
 - Minimum operating supply voltage: 2.5 V
- Low voltage malfunction prevention circuit
- 24-pin plastic TSSOP (5.72 mm (225))

ORDERING INFORMATION

Part Number	Package
μ PD16877MA-6A5	24-pin plastic TSSOP (5.72 mm (225))

The information in this document is subject to change without notice. Before using this document, please confirm that this is the latest version.

Not all devices/types available in every country. Please check with local NEC representative for availability and additional information.

ABSOLUTE MAXIMUM RATINGS (T_A = 25°C)

When mounted on a glass epoxy board (10 cm × 10 cm × 1 mm, 15% copper foil)

Parameter	Symbol	Condition	Rating	Unit
Control block supply voltage	V _{DD}		-0.5 to +6.0	V
Output block supply voltage	V _M		-0.5 to +6.0	V
Input voltage	V _{IN}		-0.5 to V _{DD} + 0.5	V
Output terminal voltage	V _{OUT}		6.2	V
Output current	I _{D(DC)}	DC	±0.3	A/ch
	I _{D(pulse)}	PW ≤ 10 ms, Duty ≤ 5%	±0.7	A/ch
Power consumption	P _T		0.7	W
Peak junction temperature	T _{CH(MAX)}		150	°C
Storage temperature range	T _{stg}		-55 to +150	°C

RECOMMENDED OPERATING CONDITIONS

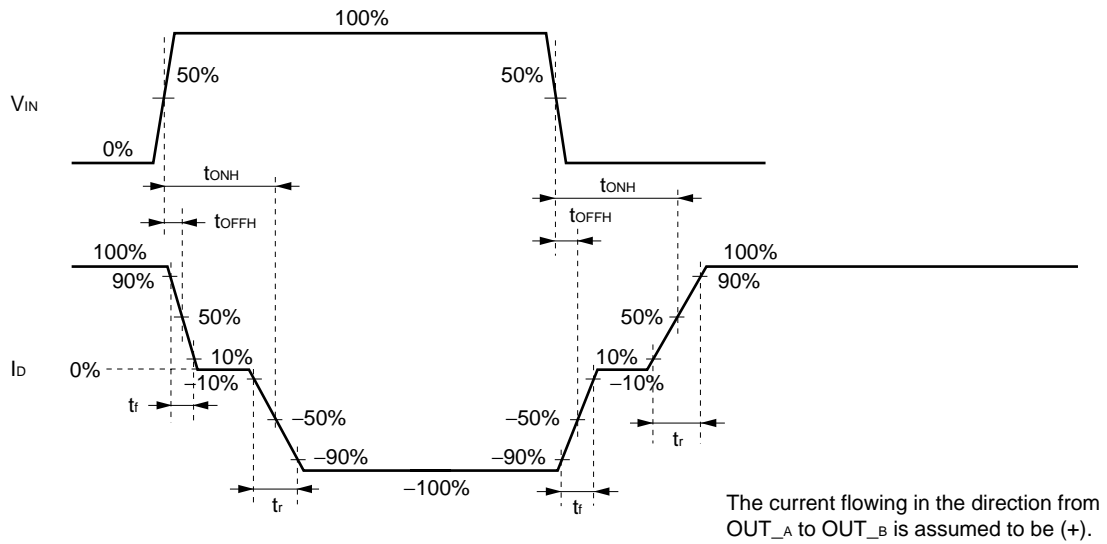
When mounted on a glass epoxy board (10 cm × 10 cm × 1 mm, 15% copper foil)

Parameter	Symbol	Condition	MIN.	TYP.	MAX.	Unit
Control block supply voltage	V _{DD}		2.5		5.5	V
Output block supply voltage	V _M		2.7		5.5	V
Output current	I _{D(DC)}	DC	-0.2		+0.2	A
Operating frequency	f _{IN}	IN, EN terminal			100	kHz
Operating temperature range	T _A		-10		85	°C
Peak junction temperature	T _{CH(MAX)}				125	°C

CHARACTERISTICS (Unless otherwise specified, V_{DD} = V_M = 3 V, T_A = 25°C)

Parameter	Symbol	Condition	MIN.	TYP.	MAX.	Unit
Off state V _M pin current	I _{M(OFF)}	All control terminal: L level			10	μA
V _{DD} pin current	I _{DD}	All control terminal: L level			10	μA
High level input current	I _{IH}	V _{IN} = V _{DD}			0.06	mA
Low level input current	I _{IL}	V _{IN} = 0 V	-1.0			μA
Input pull down resistance	R _{IND}		50		200	kΩ
High level input voltage	V _{IH}	2.5 V ≤ V _{DD} ≤ 5.5 V	0.7 × V _{DD}		V _{DD} +0.3	V
Low level input voltage	V _{IL}		-3.0		0.3 × V _{DD}	V
H-bridge ON resistance	R _{ON}	2.5 V ≤ V _M , V _{DD} ≤ 5.5 V Upper + lower			3.0	Ω
Low voltage malfunction prevention circuit operating voltage	V _{DDS1}	V _M = 5 V -10°C ≤ T _A ≤ +85°C	0.8		2.5	V
	V _{DDS2}	V _M = 3 V -10°C ≤ T _A ≤ +85°C	0.65		2.5	V
H bridge output turn-on time	t _{ONH}	R _M = 20 Ω Figure 1		0.7	20	μs
H bridge output turn-off time	t _{OFFH}			0.2	0.5	μs
H bridge output rise time	t _r		0.1	0.4	1.0	μs
H bridge output fall time	t _f			70	200	ns

Figure 1. Switching time condition



FUNCTION TABLE

Channel 1

EN ₁	IN ₁	OUT _{1A}	OUT _{1B}
H	L	H	L
H	H	L	H
L	L	Z	Z
L	H	Z	Z

Channel 2

EN ₂	IN ₂	OUT _{2A}	OUT _{2B}
H	L	H	L
H	H	L	H
L	L	Z	Z
L	H	Z	Z

Channel 3

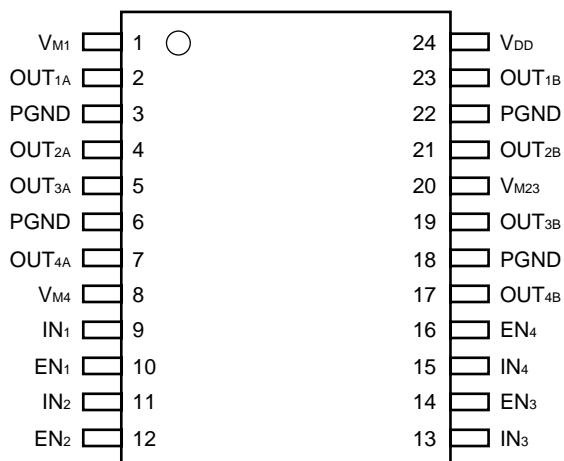
EN ₃	IN ₃	OUT _{3A}	OUT _{3B}
H	L	H	L
H	H	L	H
L	L	Z	Z
L	H	Z	Z

Channel 4

EN ₄	IN ₄	OUT _{4A}	OUT _{4B}
H	L	H	L
H	H	L	H
L	L	Z	Z
L	H	Z	Z

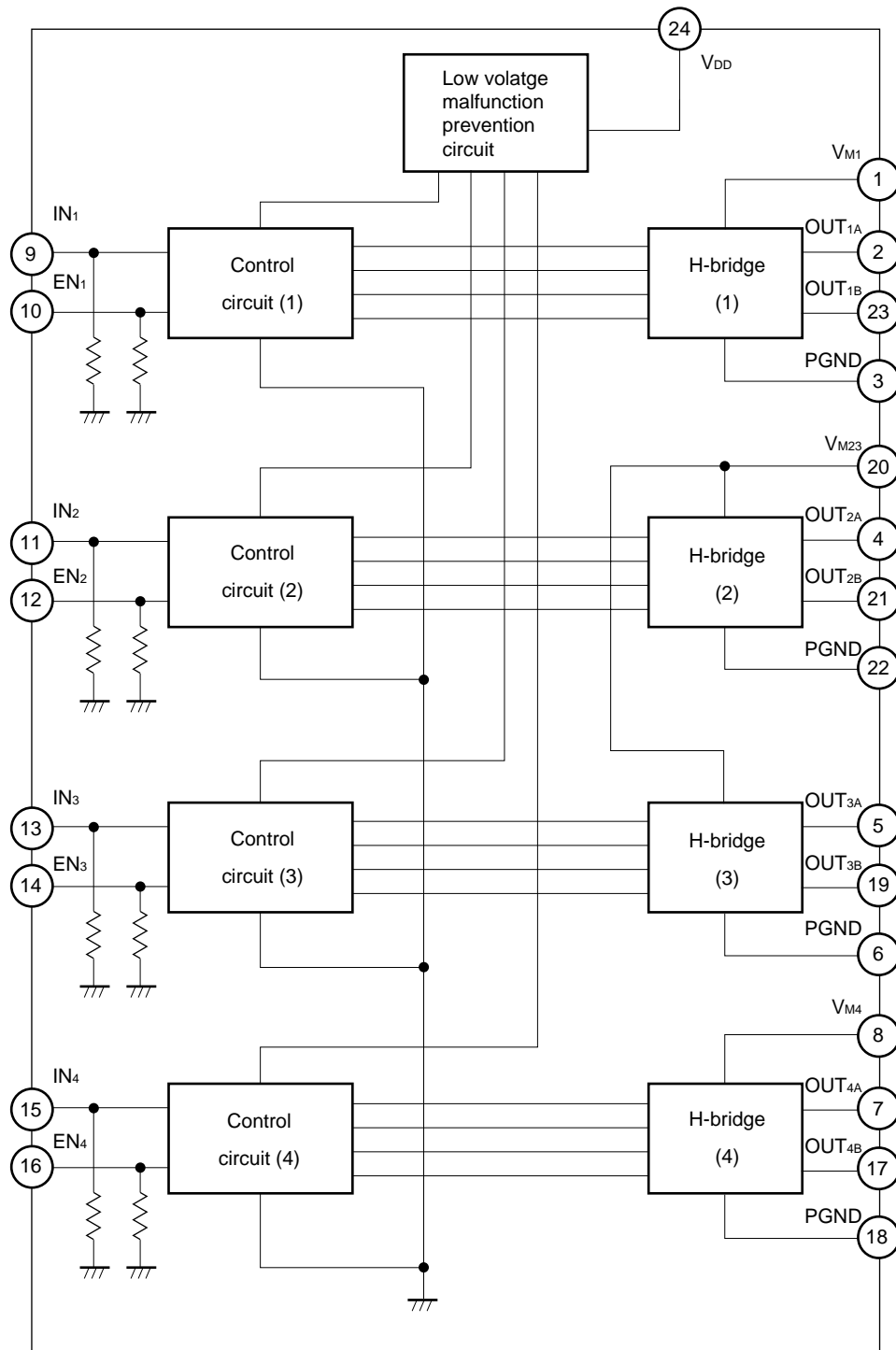
H: High-level, L: Low-level, Z: High impedance

PIN CONNECTION



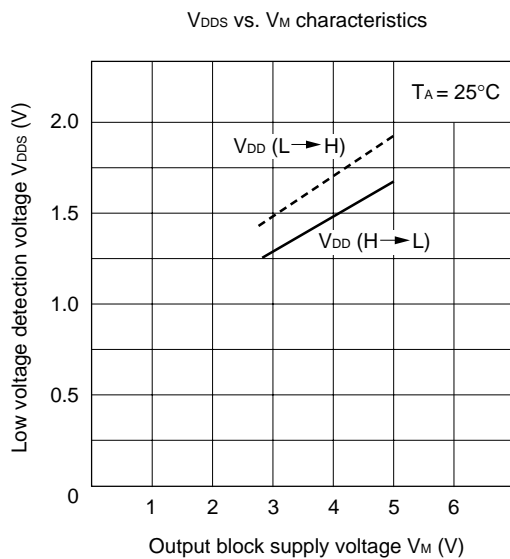
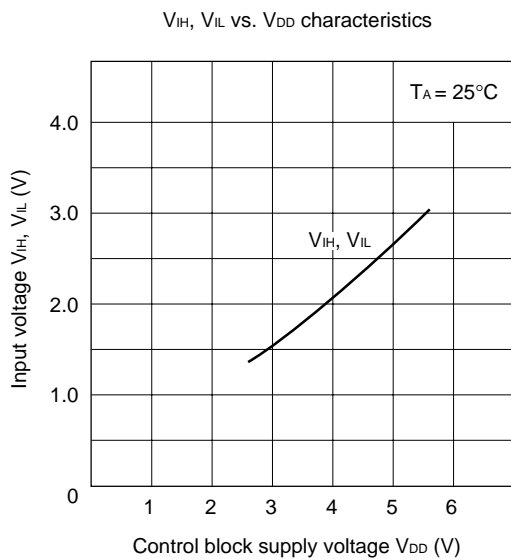
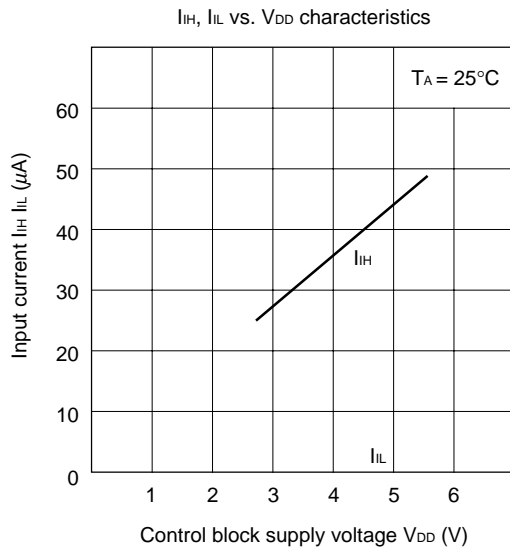
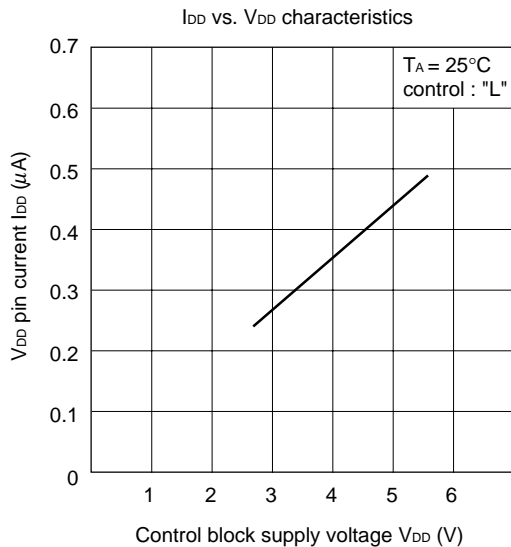
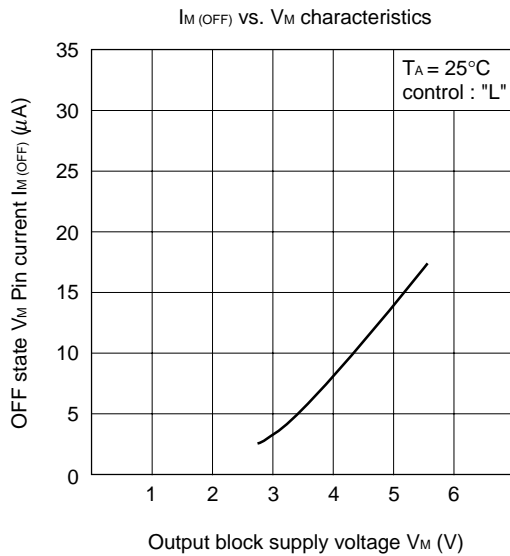
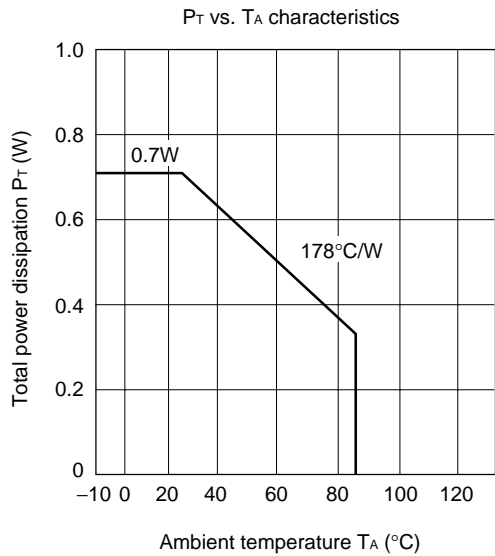
Pin No.	Pin name	Pin function	Pin No.	Pin name	Pin function
1	V _{M1}	Output block supply voltage input terminal	13	IN ₃	Control terminal (channel 3)
2	OUT _{1A}	Output terminal	14	EN ₃	Enable terminal (channel 3)
3	PGND	Ground terminal	15	IN ₄	Control terminal (channel 4)
4	OUT _{2A}	Output terminal	16	EN ₄	Enable terminal (channel 4)
5	OUT _{3A}	Output terminal	17	OUT _{4B}	Output terminal
6	PGND	Ground terminal	18	PGND	Ground terminal
7	OUT _{4A}	Output terminal	19	OUT _{3B}	Output terminal
8	V _{M4}	Output block supply voltage input terminal	20	V _{M23}	Output block supply voltage input terminal
9	IN ₁	Control terminal (channel 1)	21	OUT _{2B}	Output terminal
10	EN ₁	Enable terminal (channel 1)	22	PGND	Ground terminal
11	IN ₂	Control terminal (channel 2)	23	OUT _{1B}	Output terminal
12	EN ₂	Enable terminal (channel 2)	24	V _{DD}	Control block supply voltage input terminal

BLOCK DIAGRAM

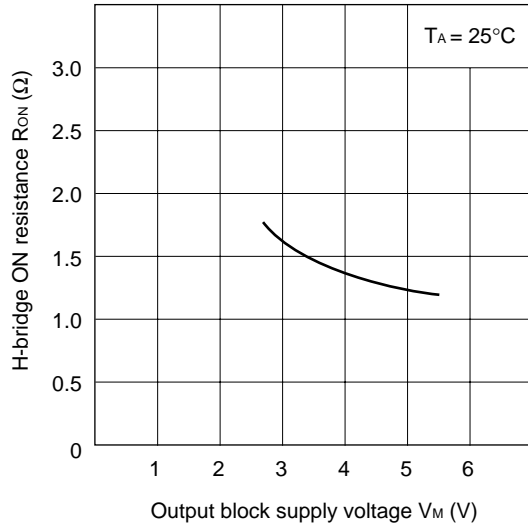


Remark Plural terminal (V_M, PGND) is not only 1 terminal and connect all terminals.

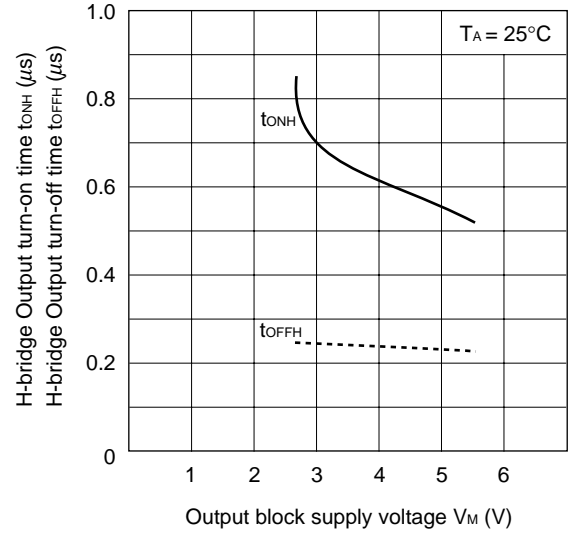
TYPICAL CHARACTERISTICS



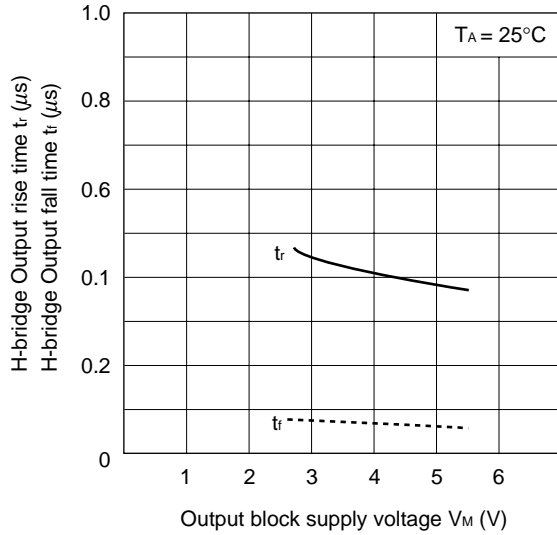
R_{ON} vs. V_M characteristics



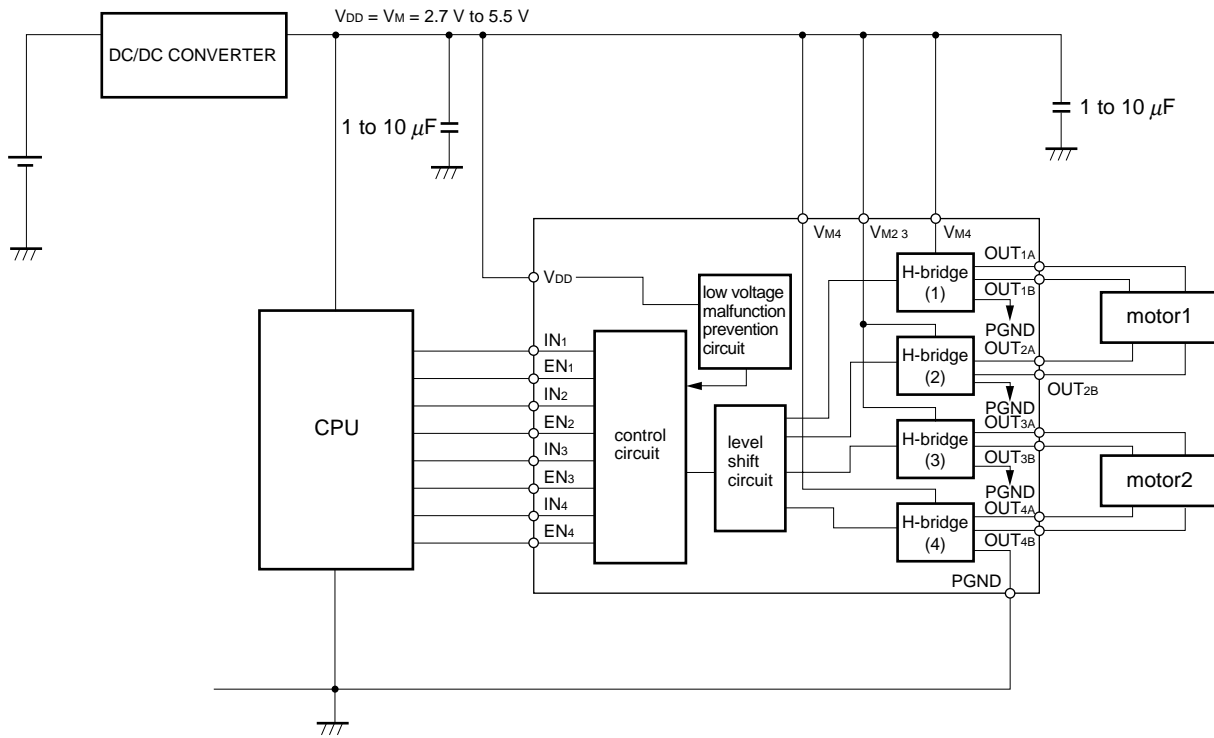
t_{ONH} , t_{OFFH} vs. V_M characteristics



t_r , t_f vs. V_M characteristics

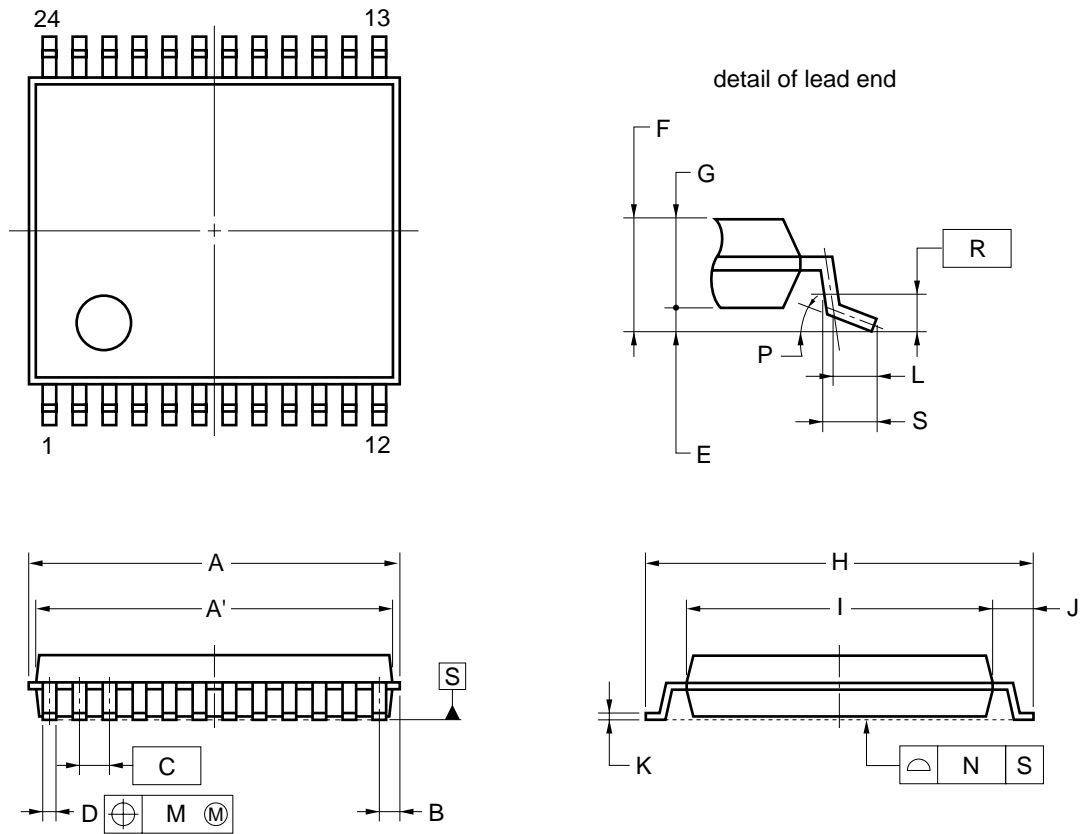


STANDARD CONNECTION EXAMPLE



PACKAGE DIMENSION

24-PIN PLASTIC TSSOP (5.72 mm (225))



NOTE

Each lead centerline is located within 0.10 mm of its true position (T.P.) at maximum material condition.

ITEM	MILLIMETERS
A	6.65±0.10
A'	6.5±0.1
B	0.575
C	0.5 (T.P.)
D	0.22±0.05
E	0.1±0.05
F	1.2 MAX.
G	1.0±0.05
H	6.4±0.1
I	4.4±0.1
J	1.0±0.1
K	0.145±0.025
L	0.5
M	0.10
N	0.08
P	3° ^{+5°} _{-3°}
R	0.25
S	0.6±0.15

S24MA-50-6A5

RECOMMENDED SOLDERING CONDITIONS

Solder this product under the following recommended conditions.

For soldering methods and conditions other than those recommended, consult NEC.

For details of the recommended soldering conditions, refer to information document “**Semiconductor Device Mounting Technology Manual**”.

Soldering Method	Soldering Conditions	Recommended Condition Symbol
Infrared reflow	Package peak temperature: 235°C; Time: 30 secs. max. (210°C min.); Number of times: 3 times max; Number of day: none; Flux: Rosin-based flux with little chlorine content (chlorine: 0.2Wt% max.) is recommended.	IR35-00-3
VPS	Package peak temperature: 215°C; Time: 40 secs. max. (200°C min.); Number of times: 3 times max.; Number of day: none; Flux: Rosin-based flux with little chlorine content (chlorine: 0.2 Wt% max.) is recommended.	VP15-00-3
Wave soldering	Package peak temperature: 260°C; Time: 10 secs. max.; Preheating temperature: 120°C max.; Number of times: once; Flux: Rosin-based flux with little chlorine content (chlorine: 0.2 Wt% max.) is recommended.	WS60-00-1

Caution Do not use two or more soldering methods in combination.

NOTES FOR CMOS DEVICES

① PRECAUTION AGAINST ESD FOR SEMICONDUCTORS

Note:

Strong electric field, when exposed to a MOS device, can cause destruction of the gate oxide and ultimately degrade the device operation. Steps must be taken to stop generation of static electricity as much as possible, and quickly dissipate it once, when it has occurred. Environmental control must be adequate. When it is dry, humidifier should be used. It is recommended to avoid using insulators that easily build static electricity. Semiconductor devices must be stored and transported in an anti-static container, static shielding bag or conductive material. All test and measurement tools including work bench and floor should be grounded. The operator should be grounded using wrist strap. Semiconductor devices must not be touched with bare hands. Similar precautions need to be taken for PW boards with semiconductor devices on it.

② HANDLING OF UNUSED INPUT PINS FOR CMOS

Note:

No connection for CMOS device inputs can be cause of malfunction. If no connection is provided to the input pins, it is possible that an internal input level may be generated due to noise, etc., hence causing malfunction. CMOS devices behave differently than Bipolar or NMOS devices. Input levels of CMOS devices must be fixed high or low by using a pull-up or pull-down circuitry. Each unused pin should be connected to V_{DD} or GND with a resistor, if it is considered to have a possibility of being an output pin. All handling related to the unused pins must be judged device by device and related specifications governing the devices.

③ STATUS BEFORE INITIALIZATION OF MOS DEVICES

Note:

Power-on does not necessarily define initial status of MOS device. Production process of MOS does not define the initial operation status of the device. Immediately after the power source is turned ON, the devices with reset function have not yet been initialized. Hence, power-on does not guarantee out-pin levels, I/O settings or contents of registers. Device is not initialized until the reset signal is received. Reset operation must be executed immediately after power-on for devices having reset function.

- **The information in this document is subject to change without notice. Before using this document, please confirm that this is the latest version.**
 - No part of this document may be copied or reproduced in any form or by any means without the prior written consent of NEC Corporation. NEC Corporation assumes no responsibility for any errors which may appear in this document.
 - NEC Corporation does not assume any liability for infringement of patents, copyrights or other intellectual property rights of third parties by or arising from use of a device described herein or any other liability arising from use of such device. No license, either express, implied or otherwise, is granted under any patents, copyrights or other intellectual property rights of NEC Corporation or others.
 - Descriptions of circuits, software, and other related information in this document are provided for illustrative purposes in semiconductor product operation and application examples. The incorporation of these circuits, software, and information in the design of the customer's equipment shall be done under the full responsibility of the customer. NEC Corporation assumes no responsibility for any losses incurred by the customer or third parties arising from the use of these circuits, software, and information.
 - While NEC Corporation has been making continuous effort to enhance the reliability of its semiconductor devices, the possibility of defects cannot be eliminated entirely. To minimize risks of damage or injury to persons or property arising from a defect in an NEC semiconductor device, customers must incorporate sufficient safety measures in its design, such as redundancy, fire-containment, and anti-failure features.
 - NEC devices are classified into the following three quality grades:
"Standard", "Special", and "Specific". The Specific quality grade applies only to devices developed based on a customer designated "quality assurance program" for a specific application. The recommended applications of a device depend on its quality grade, as indicated below. Customers must check the quality grade of each device before using it in a particular application.
 - Standard: Computers, office equipment, communications equipment, test and measurement equipment, audio and visual equipment, home electronic appliances, machine tools, personal electronic equipment and industrial robots
 - Special: Transportation equipment (automobiles, trains, ships, etc.), traffic control systems, anti-disaster systems, anti-crime systems, safety equipment and medical equipment (not specifically designed for life support)
 - Specific: Aircraft, aerospace equipment, submersible repeaters, nuclear reactor control systems, life support systems or medical equipment for life support, etc.
- The quality grade of NEC devices is "Standard" unless otherwise specified in NEC's Data Sheets or Data Books. If customers intend to use NEC devices for applications other than those specified for Standard quality grade, they should contact an NEC sales representative in advance.