

# BIPOLAR ANALOG INTEGRATED CIRCUITS

## $\mu$ PC815, $\mu$ PC816

### ULTRA LOW OFFSET VOLTAGE, LOW DRIFT, LOW NOISE HIGH SLEW RATE, WIDEBAND, OPERATIONAL AMPLIFIER

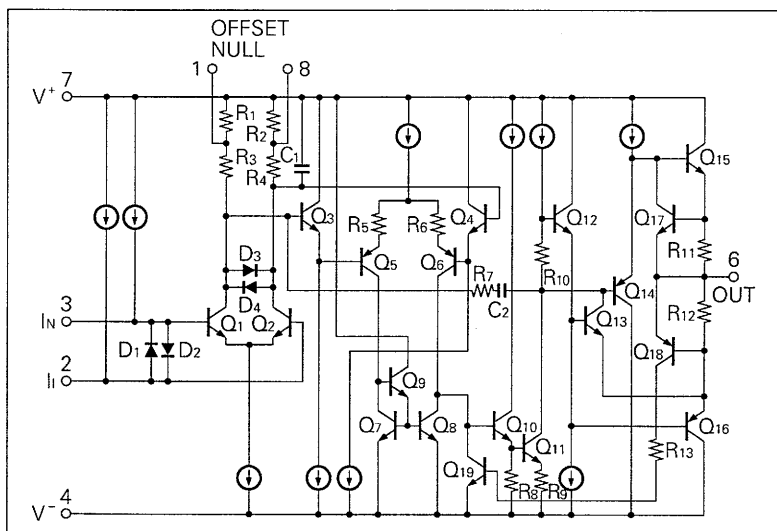
#### DESCRIPTION

The  $\mu$ PC815,  $\mu$ PC816 are high accuracy OP amps which realize 20  $\mu$ V input offset voltage and 2.8 nV/ $\sqrt{\text{Hz}}$  input noise by using advanced on-chip resistor trimming technique and ultra low noise NPN transistor for input stage. The  $\mu$ PC816, high speed version of the  $\mu$ PC815, realizes 25 MHz bandwidth and 7 V/ $\mu$ s slewrate with full frequency compensation characteristics by the effect of output stage high speed PNP transistors. Input stage Ib canceling circuits which minimize input bias current are also distinctive feature. By these features, the  $\mu$ PC815,  $\mu$ PC816 are optimum choice for instrumentation amplifier, audio pre-amplifier and buffer amplifier for high resolution DAC.

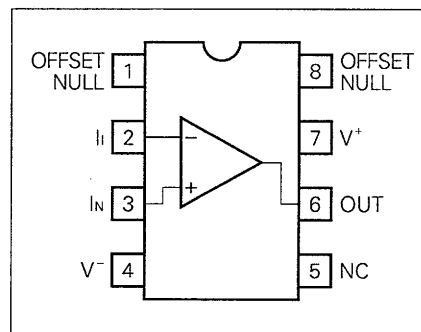
#### FEATURES

- Wide supply voltage range:  $\pm 3$  to  $\pm 22$  V
- Ultra low offset voltage:  $\pm 20$   $\mu$ V TYP.
- Ultra low offset voltage drift:  $\pm 0.3$   $\mu$ V/ $^{\circ}\text{C}$  TYP. (unnull)
- Ultra low noise: 2.8 nV/ $\sqrt{\text{Hz}}$  (TYP.) ( $f_o = 10$  Hz)
- High slew-rate:  $\mu$ PC815: 1.6 V/ $\mu$ s TYP. ( $A_v = 1$ )  
 $\mu$ PC816: 7.6 V/ $\mu$ s TYP. ( $A_v = 1$ )
- Wide bandwidth product:  
 $\mu$ PC815: 7 MHz TYP. ( $f_o = 100$  kHz)  
 $\mu$ PC816: 25 MHz TYP. ( $f_o = 100$  kHz)
- Low input bias current:  $\pm 10$  nA TYP.
- Internal full frequency compensation
- Stable operation under capacitive load:  
 $\mu$ PC815: 100 pF  
 $\mu$ PC816: 1 000 pF

#### EQUIVALENT CIRCUIT



#### CONNECTION DIAGRAM (Top View)



#### ORDERING INFORMATION

PART NUMBER	PACKAGE	QUALITY GRADE
$\mu$ PC815D	8 PIN CERAMIC DIP (300 mil)	Standard
$\mu$ PC815D(1)		Standard
$\mu$ PC815C	8 PIN PLASTIC DIP (300 mil)	Standard
$\mu$ PC815C(1)		Standard
$\mu$ PC816D	8 PIN CERAMIC DIP (300 mil)	Standard
$\mu$ PC816C	8 PIN PLASTIC DIP (300 mil)	Standard

Please refer to "Quality grade on NEC Semiconductor Devices" (Document number IEI-1209) published by NEC Corporation to know the specification of quality grade on the devices and its recommended applications.

**ABSOLUTE MAXIMUM RATINGS (T<sub>a</sub> = 25 °C)**

PARAMETER	SYMBOL	$\mu$ PC815D	$\mu$ PC815C	$\mu$ PC816D	$\mu$ PC816C	UNIT
Voltage between V <sup>+</sup> and V <sup>-</sup> (Note 1)	V <sup>+</sup> - V <sup>-</sup>	-0.3 to +44				V
Differential Input Current	I <sub>ID</sub>	±25				mA
Input Voltage (Note 2)	V <sub>I</sub>	V <sup>-</sup> -0.3 to V <sup>+</sup> +0.3				V
Output Voltage (Note 3)	V <sub>D</sub>	V <sup>-</sup> -0.3 to V <sup>+</sup> +0.3				V
Power Dissipation	P <sub>T</sub>	500 (Note 4)	350 (Note 5)	500 (Note 4)	350 (Note 5)	mW
Output Short Circuit Duration (Note 6)		Indefinite				sec
Operating Temperature Range	T <sub>opt</sub>	-20 to +80	-20 to +70	-20 to +80	-20 to +70	°C
Storage Temperature Range	T <sub>stg</sub>	-55 to +150	-55 to +125	-55 to +150	-55 to +125	°C

**Note 1.** Reverse connection of supply voltage can cause destruction.

**Note 2.** The input voltage should be allowed to input without damage or destruction. Even during the transition period of supply voltage, power on/off etc., this specification should be kept. The normal operation will establish when the both inputs are within the Common Mode Input Voltage Range of electrical characteristics.

**Note 3.** This specification is the voltage which should be allowed to supply to the output terminal from external without damage or destructive. Even during the transition period of supply voltage, power on/off etc., this specification should be kept. The output voltage of normal operation will be the Output Voltage Swing of electrical characteristics.

**Note 4.** Thermal derating factor is -5.0 mV / °C when ambient temperature is higher than 50 °C.

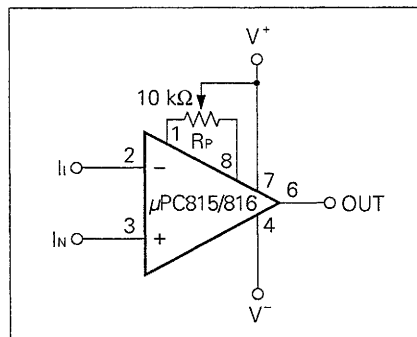
**Note 5.** Thermal derating factor is -5.0 mV / °C when ambient temperature is higher than 55 °C.

**Note 6.** Pay careful attention to the total power dissipation not to exceed the absolute maximum ratings, Note 4 and Note 5.

**RECOMMENDED OPERATING CONDITIONS**

CHARACTERISTIC	SYMBOL	MIN.	TYP.	MAX.	UNIT
Supply Voltage	V <sup>±</sup>	± 3	± 15	± 20	V
Output Current	I <sub>o</sub>			± 25	mA
Capacitive Load (A <sub>v</sub> = +1, R <sub>f</sub> = 0 Ω)	$\mu$ PC815			1000	pF
	$\mu$ PC816			100	

**OFFSET VOLTAGE NULL CIRCUIT**



**ELECTRICAL CHARACTERISTICS ( $V^{\pm} = \pm 15$  V,  $T_a = 25$  °C)**

CHARACTERISTIC	SYMBOL	MIN.	TYP.	MAX.	UNIT	CONDITIONS
Input Offset Voltage	$V_{io}$		$\pm 20$	$\pm 60$	$\mu$ V	$R_s \leq 100 \Omega$
Input Offset Current	$I_{io}$		$\pm 7$	$\pm 50$	nA	
Input Bias Current	$I_B$		$\pm 10$	$\pm 55$	nA	
Input Resistance – Common Mode	$R_{inCM}$		3		G $\Omega$	
Large Signal Voltage Gain	$A_v$	5	20		V/ $\mu$ V	$R_L \geq 2$ k $\Omega$ , $V_o = \pm 12$ V
Supply Current	$I_{cc}$		3.0	4.6	mA	$I_o = 0$ A
Common Mode Rejection Ratio	CMR	110	130		dB	
Supply Voltage Rejection Ratio	SVR	106	126		dB	$V^{\pm} = \pm 3$ V $\rightarrow$ $\pm 18$ V
Output Voltage Swing	$V_{om}$	$\pm 12.5$	+13.5 -14.0		V	$R_L \geq 2$ k $\Omega$
		$\pm 10.5$	+12.5 -13.5			$R_L \geq 600 \Omega$
Common Mode Input Voltage Range	$V_{icM}$	$\pm 11$	+12.5 -13.5		V	
Slew Rate	$\mu$ PC815	SR	0.8	1.6	V/ $\mu$ s	$R_L = 2$ k $\Omega$
	$\mu$ PC816		3	7.6		$R_L = 2$ k $\Omega$
Gain Bandwidth Product	$\mu$ PC815	GBW	4	7	MHz	$f_o = 100$ kHz
	$\mu$ PC816		15	25		$f_o = 100$ kHz
Input Equivalent Noise Voltage	$N_L$		0.06	0.13	$\mu$ V <sub>p-p</sub>	$R_s = 100 \Omega$ , $f = 0.1$ to 10 Hz
Input Equivalent Noise Voltage Density	$e_n$		2.8	4.5	nV/ $\sqrt$ Hz	$f_o = 10$ Hz
			2.7	4.0		$f_o = 100$ Hz
			2.7	3.8		$f_o = 1000$ Hz
Input Equivalent Noise Current Density	$i_n$		1.5	4.0	pA/ $\sqrt$ Hz	$f_o = 10$ Hz
			0.4	0.6		$f_o = 1000$ Hz
V <sub>io</sub> Adjustment Range			$\pm 3$		mV	$R_p = 10$ k $\Omega$
Long Term V <sub>io</sub> Stability (Note 7)			$\pm 0.2$	$\pm 1.0$	$\mu$ V/Mo	

**Note 7.** Long term input offset voltage stability refers to the average trend line of offset vs. time over extended periods after the first 30 days of operation. Excluding the initial hour of operation, changes in  $V_{io}$  during 30 days are typically 2.5  $\mu$ V – refer to typical performance curve.

**$-20 \leq T_a \leq 80$  °C ( $\mu$ PC815D, 816D),  $-20 \leq T_a \leq 70$  °C ( $\mu$ PC815C, 816C),  $V^{\pm} = \pm 15$  V**

CHARACTERISTIC	SYMBOL	MIN.	TYP.	MAX.	UNIT	CONDITIONS
Input Offset Voltage	$V_{io}$		$\pm 20$	$\pm 110$	$\mu$ V	$R_s \leq 100 \Omega$
Input Offset Current	$I_{io}$		$\pm 7$	$\pm 70$	nA	
Input Bias Current	$I_B$		$\pm 10$	$\pm 75$	nA	
Large Signal Voltage Gain	$A_v$	2.5	20		V/ $\mu$ V	$R_L \geq 2$ k $\Omega$ , $V_o = \pm 10$ V
Supply Current	$I_{cc}$		3	5	mA	
Common Mode Rejection Ratio	CMR	106	130		dB	$V^{\pm} = \pm 3$ V $\rightarrow$ $\pm 18$ V
Supply Voltage Rejection Ratio	SVR	102	126		dB	$R_L \geq 2$ k $\Omega$
Output Voltage Swing	$V_{om}$	$\pm 12$	+13.5 -14.0		V	
Common Mode Input Voltage Range	$V_{icM}$	$\pm 10.5$	+12.5 -13.5		V	
Average V <sub>io</sub> Temperature Drift	$\Delta V_{io}/\Delta T$		$\pm 0.3$	$\pm 1.5$	$\mu$ V/°C	$R_s \leq 100 \Omega$

The μPC815D(1) & 815C(1) are temperature drift sorted for high accuracy application. The  $\Delta V_{IO}/\Delta T$  spec is shown below.

**μPC815D(1), 815C(1)**

CHARACTERISTIC	SYMBOL	MIN.	TYP.	MAX.	UNIT	CONDITION
Average $V_{IO}$ Temperature Drift	$\Delta V_{IO}/\Delta T$			±0.8	μV/°C	$R_s \leq 100 \Omega$

**APPLICATION INFORMATION**

1. Over differential input voltage application

The μPC815/816 contain the input protection back-to-back diodes at input stage. However the input current limit resistors are not used in order to achieve ultra low noise. (See EQUIVALENT CIRCUIT)

Therefore, when the over differential input voltage is applied, the differential input current should be kept less than 25 mA by inserting the series resistors at the inputs.

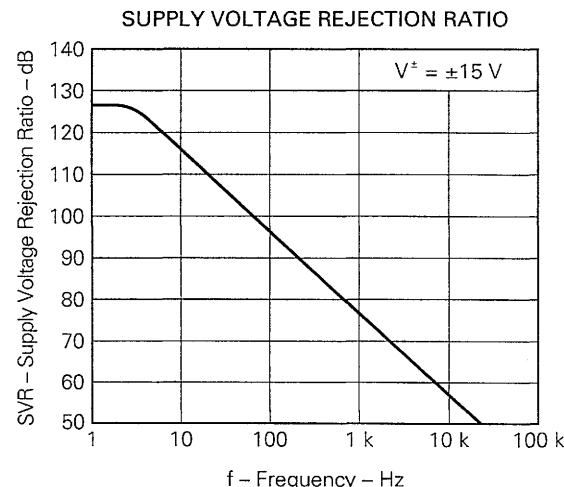
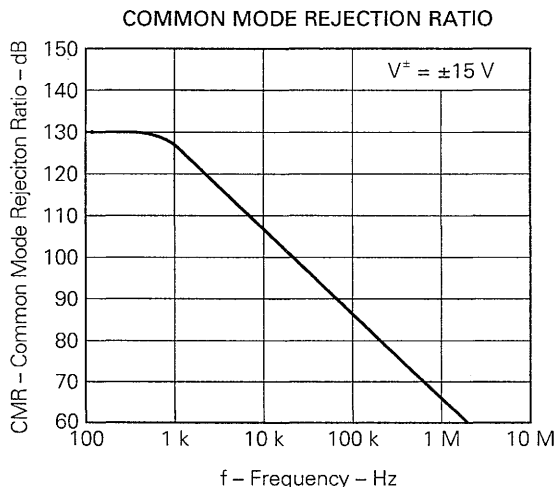
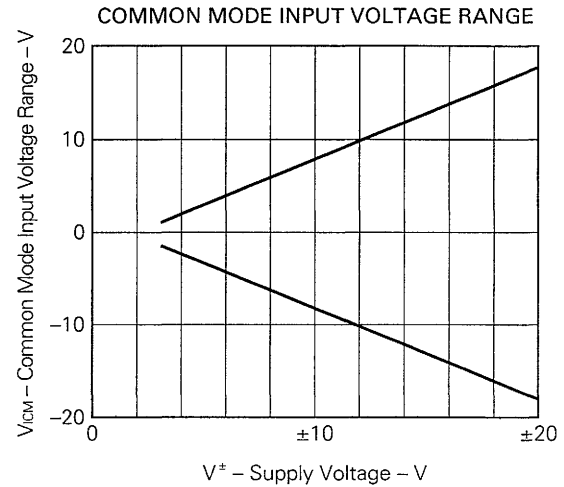
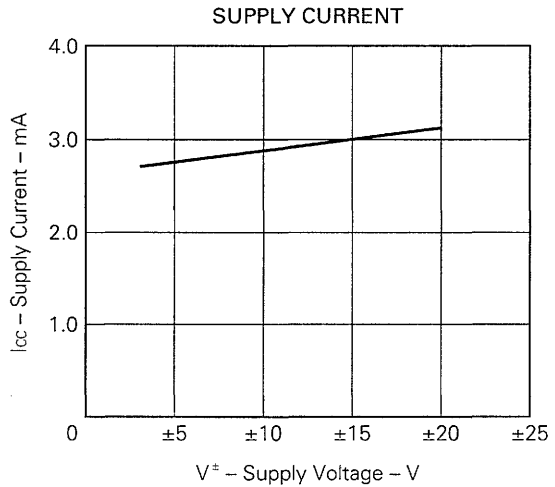
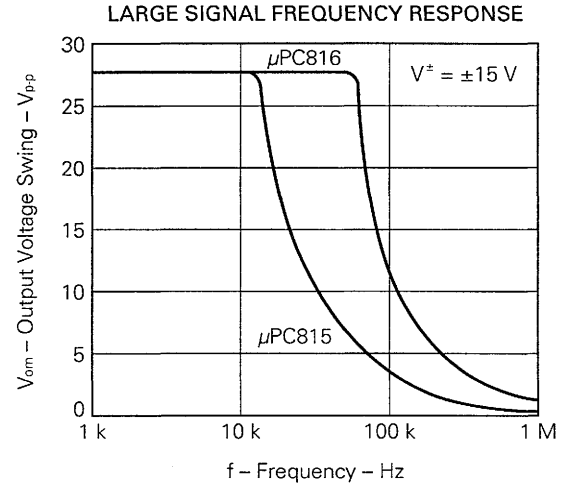
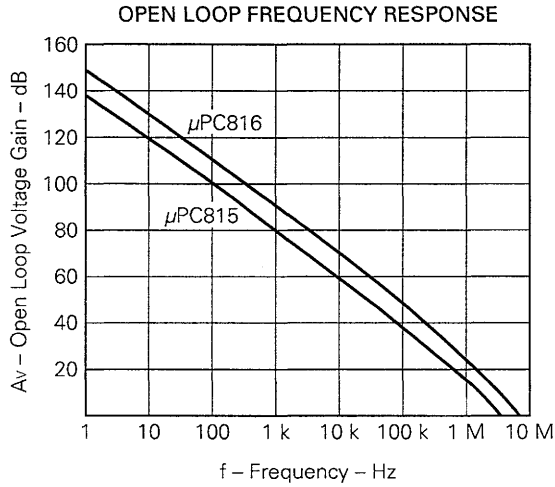
2. Unity gain buffer application

When the input is driven faster than the Slew Rate under the condition of  $R_f$  &  $R_s = 0 \Omega$ , the input protection diodes will short the input to the output, and the input current is limited only by the output drive capability. The solution of this problem is inserting the feedback resistor  $R_f \geq 1 \text{ k}\Omega$ , or the source resistor  $R_s \geq 1 \text{ k}\Omega$  to limit the input short current.

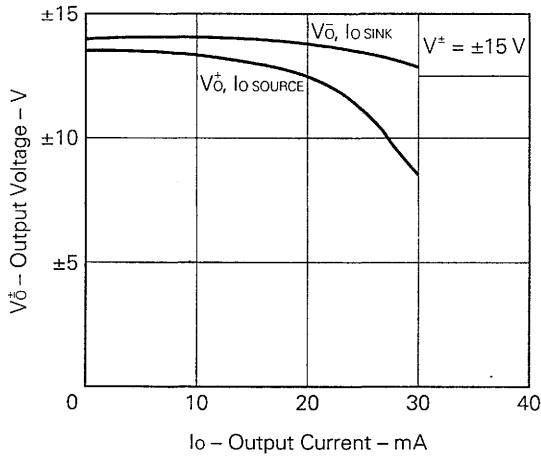
If the feedback resistor  $R_f$  becomes bigger, a pole created with  $R_f$  and  $C_{in}$  (input capacitance) at  $f = \frac{1}{2\pi R_f C_{in}}$  reduces the phase margin. Considering the worst case, the oscillation will occur.

The solution of this problem is connecting the small capacitor (several 10 pF) in parallel with  $R_f$ .

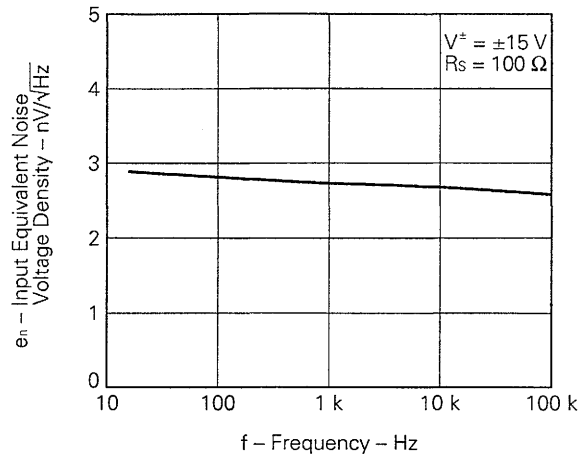
TYPICAL PERFORMANCE CHARACTERISTICS ( $T_a = 25^\circ\text{C}$ )



OUTPUT CURRENT LIMIT

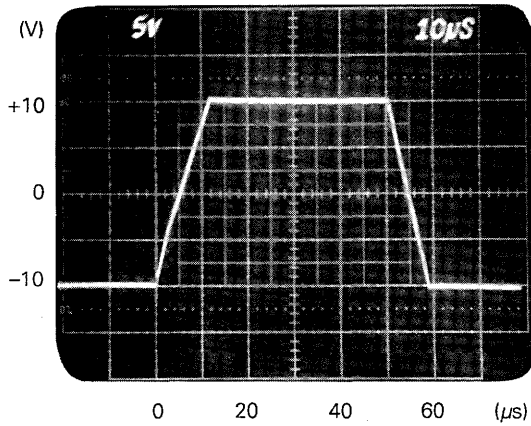


INPUT EQUIVALENT NOISE VOLTAGE DENSITY



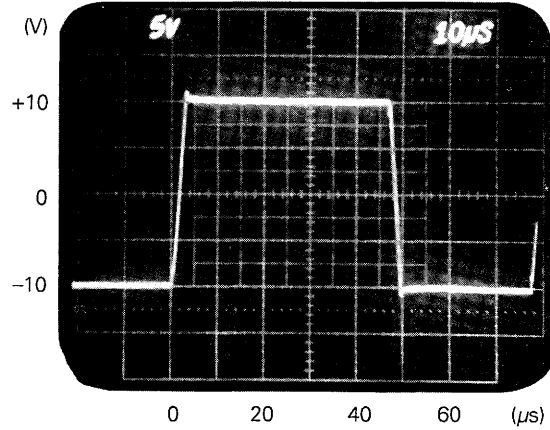
VOLTAGE FOLLOWER PULSE RESPONSE  $\mu$ PC815

( $V^{\pm} = \pm 15$  V,  $A_v = +1$ )  
( $R_f = 1$  k $\Omega$ ,  $R_L = 2$  k $\Omega$ )

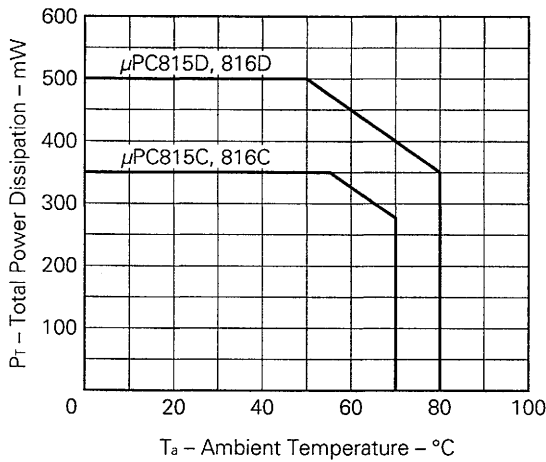


VOLTAGE FOLLOWER PULSE RESPONSE  $\mu$ PC816

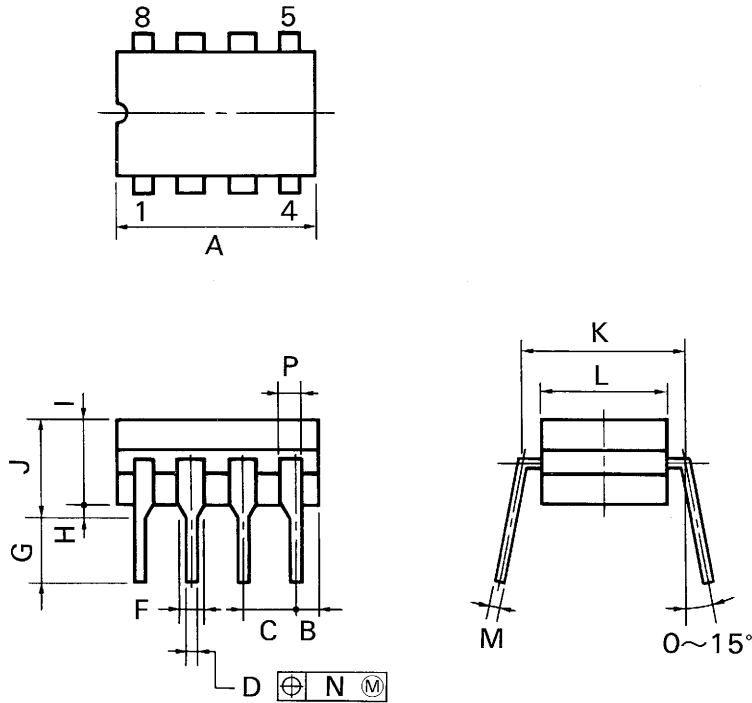
( $V^{\pm} = \pm 15$  V,  $A_v = +1$ )  
( $R_f = 1$  k $\Omega$ ,  $R_L = 2$  k $\Omega$ )



POWER DISSIPATION



8PIN CERAMIC DIP (300 mil)



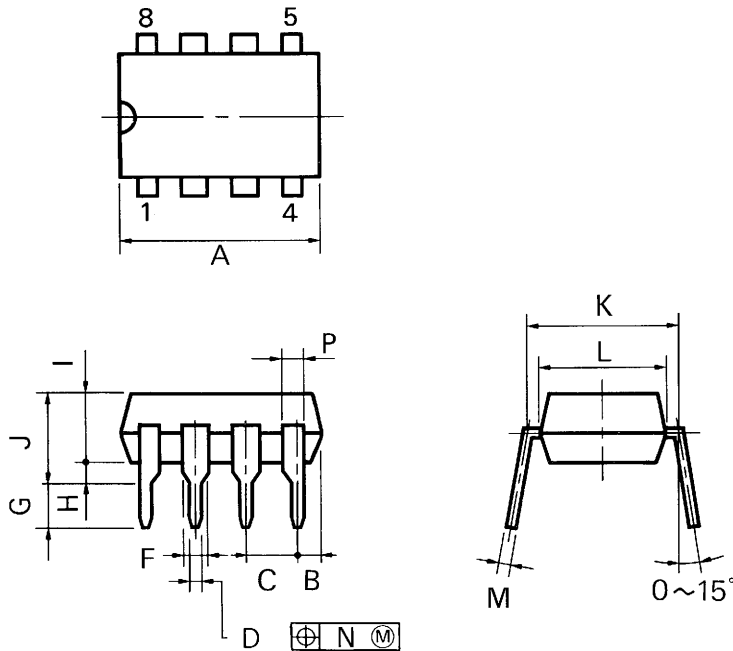
P8DH-100-300A,B

NOTES

- 1) Each lead centerline is located within 0.25 mm (0.01 inch) of its true position (T.P.) at maximum material condition
- 2) Item "K" to center of leads when formed parallel.

ITEM	MILLIMETERS	INCHES
A	10.16 MAX.	0.400 MAX.
B	1.27 MAX.	0.050 MAX.
C	2.54 (T.P.)	0.100 (T.P.)
D	0.46 <sup>±0.05</sup>	0.018 <sup>+0.002</sup>
F	1.42 MIN.	0.055 MIN.
G	3.0 <sup>±0.3</sup>	0.118 <sup>±0.012</sup>
H	0.51 MIN.	0.020 MIN.
I	3.80	0.150
J	5.08 MAX.	0.200 MAX.
K	7.62 (T.P.)	0.300 (T.P.)
L	6.30	0.248
M	0.25 <sup>±0.05</sup>	0.010 <sup>+0.002</sup> -0.003
N	0.25	0.01
P	0.89 MIN.	0.035 MIN.

8PIN PLASTIC DIP (300 mil)



P8C-100-300B,C

NOTES

- 1) Each lead centerline is located within 0.25 mm (0.01 inch) of its true position (T.P.) at maximum material condition.
- 2) Item "K" to center of leads when formed parallel.

ITEM	MILLIMETERS	INCHES
A	10.16 MAX.	0.400 MAX.
B	1.27 MAX.	0.050 MAX.
C	2.54 (T.P.)	0.100 (T.P.)
D	0.50 <sup>+0.10</sup>	0.020 <sup>+0.004</sup> <sub>-0.005</sub>
F	1.4 MIN.	0.055 MIN.
G	3.2 <sup>±0.3</sup>	0.126 <sup>+0.012</sup>
H	0.51 MIN.	0.020 MIN.
I	4.31 MAX.	0.170 MAX.
J	5.08 MAX.	0.200 MAX.
K	7.62 (T.P.)	0.300 (T.P.)
L	6.4	0.252
M	0.25 <sup>+0.10</sup> <sub>-0.05</sub>	0.010 <sup>+0.004</sup> <sub>-0.003</sub>
N	0.25	0.01
P	0.9 MIN.	0.035 MIN.



**RECOMMENDED SOLDERING CONDITIONS**

The following conditions (see table below) must be met when soldering this product.

Please consult with our sales offices in case other soldering process is used, or in case soldering is done under different conditions.

**TYPES OF THROUGH HOLE DEVICE**

[ μPC815D, μPC815C, μPC816D, μPC816C ]

Soldering method	Soldering conditions	Recommended condition symbol
Wave soldering	Solder temperature: 260 °C or below, Flow time: 10 seconds or below	

[MEMO]

No part of this document may be copied or reproduced in any form or by any means without the prior written consent of NEC Corporation. NEC Corporation assumes no responsibility for any errors which may appear in this document.

NEC Corporation does not assume any liability for infringement of patents, copyrights or other intellectual property rights of third parties by or arising from use of a device described herein or any other liability arising from use of such device. No license, either express, implied or otherwise, is granted under any patents, copyrights or other intellectual property rights of NEC Corporation or others.

The devices listed in this document are not suitable for use in aerospace equipment, submarine cables, nuclear reactor control systems and life support systems. If customers intend to use NEC devices for above applications or they intend to use "Standard" quality grade NEC devices for applications not intended by NEC, please contact our sales people in advance.

Application examples recommended by NEC Corporation.

Standard: Computer, Office equipment, Communication equipment, Test and Measurement equipment, Machine tools, Industrial robots, Audio and Visual equipment, Other consumer products, etc.

Special: Automotive and Transportation equipment, Traffic control systems, Antidisaster systems, Anticrime systems, etc.