

Dimensions mm[inch]
 tolerances acc. to DIN ISO 2768-m
 Toleranzen gem. DIN ISO 2768-m

Isometric
 Scale 1:2
 Maßstab 1:2

Cable
 LIYY 2x0,14 mm², grey
 colour of wires: white and brown
 ends tinned
 LIYY 2x0,14 mm², grau
 Aderfarben: weiss und braun
 Enden verzinkt

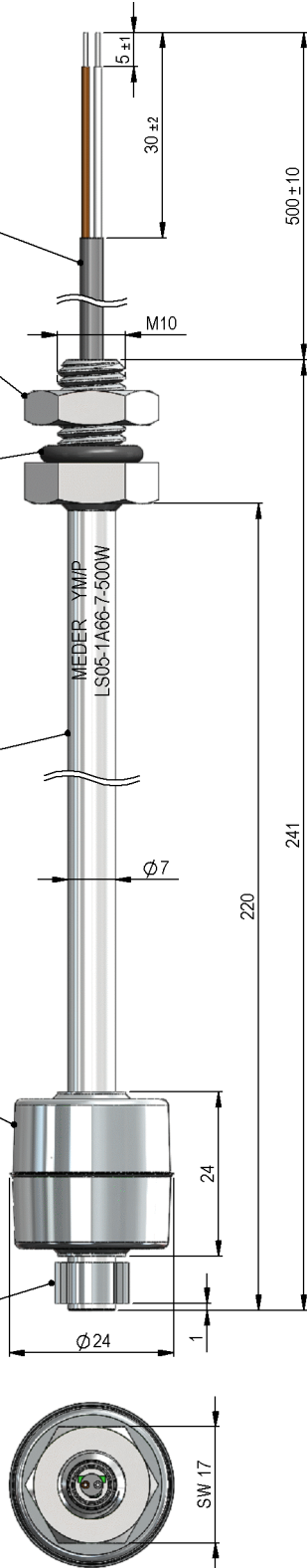
Nut
 M10, DIN 439 B, stainless steel, ws 17
 M10, DIN 439 B, Edelstahl, SW 17

O-ring
 NBR, black
 NBR, schwarz

Stem
 stainless steel
 Edelstahl

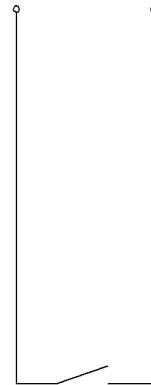
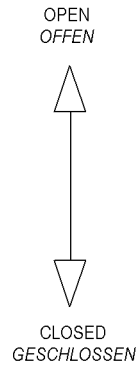
Float
 MS09-S, stainless steel
 MS09-S, Edelstahl

Two-ear clamp
 stainless steel
 Zweiohrklemme, Edelstahl

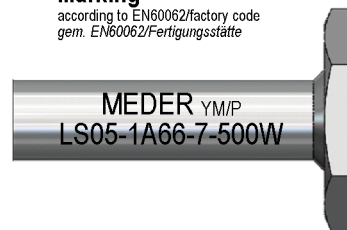


Switching scale

Schematic



Marking
 according to EN60062/factory code
 gem. EN60062/Fertigungsstätte





Europe: +49 / 7731 8399 0 | Email: info@meder.com
 USA: +1 / 508 295 0771 | Email: salesusa@meder.com
 Asia: +852 / 2955 1682 | Email: salesasia@meder.com

Item No.:
9557661054
 Item:
LS05-1A66-7-500W
stainless steel

Products for tomorrow...

Special Product Data	Conditions	Min	Typ	Max	Unit
Contact rating	Any DC combination of V & A not to exceed their individual max.'s			10	W
Switching voltage	DC or Peak AC			180	V
Carry current	DC or Peak AC			1.25	A
Switching current	DC or Peak AC			0.5	A
Sensor-resistance	measured with 40% overdrive			420	mOhm
Material of float		stainless steel			
Housing material LS		stainless steel			
Sealing compound		Polyurethan			

Environmental data	Conditions	Min	Typ	Max	Unit
Operating temperature	cable not moved	-30		80	°C
Operating temperature	cable moved	-5		80	°C
Storage temperature		-30		80	°C
Safety class	DIN EN 60529	IP68			

Cable specification	Conditions	Min	Typ	Max	Unit
Cable type		round cable			
Cable material		PVC			
Cross section		0,14 sq-mm			

General data	Conditions	Min	Typ	Max	Unit
Mounting advice		over 5m cable, a resistor is recommended.			
Tightening torque				0.5	Nm

Modifications in the sense of technical progress are reserved

Designed at: 06/01/11 Designed by: WKOVACS
 Last Change at: Last Change by:

Approval at: 06/01/11 Approval by: DKUECHLER
 Approval at: Approval by:

Rev. No.: 01