

NEW!

FP Series Sealed Ultra Miniature Pushbutton Switches



Features/Benefits

- Vertical and right angle mount
- Extended operating life 50,000 cycles
- Optional caps
- Sealed against soldering and cleaning processes
- RoHS compliant

Typical Applications

- Networking equipment
- Modems
- Reset functions
- Instrumentation



Specifications

CONTACT RATING: Max. 0.4 VA (28 V DC or V AC).
 ELECTRICAL LIFE: 50,000 cycles.
 CONTACT RESISTANCE: (10mA @ 2 V DC) 80 mΩ max. initial.
 INSULATION RESISTANCE: 500MΩ min. @ 500 V DC - 1 minute.
 OPERATING TEMPERATURE: -20°C to 80°C.
 SOLDERABILITY: Per MIL-STD-202F method 208D, or EIA RS-186E method 9.
 PACKAGING:
 Tray pack - 100 switches per tray.
 Caps (optional) - Bulk bag; 100 caps per bag.

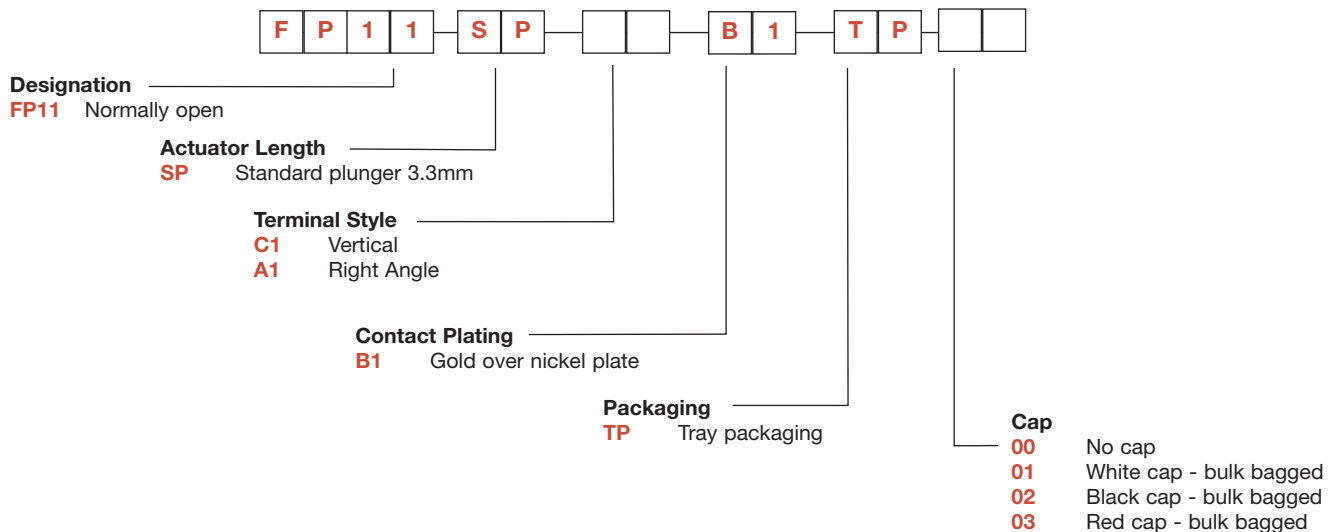
Materials

MOVABLE CONTACTS:
 Base metal: Phosphor bronze
 Plating: Gold over nickel plate
 FIXED CONTACTS:
 Base metal: Brass
 Plating: Gold over nickel plate
 COVER: PA66 - Black
 ACTUATOR: PPS - Black
 BASE: PPS - Black
 SUPPORT BRACKET (A1 Terminal Style only): Steel with tin plate

NOTE: Specifications and materials listed above are for switches with standard options. For information on specific and custom switches, consult Customer Service Center.

Build-A-Switch

To order, simply select desired option from each category and place in the appropriate box. Available options are shown and described on pages A-108 thru A-109. For additional options not shown in catalog, consult Customer Service Center.



Dimensions are shown: Inches (mm)
 Specifications and dimensions subject to change

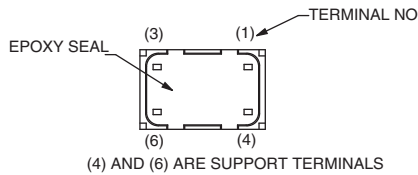
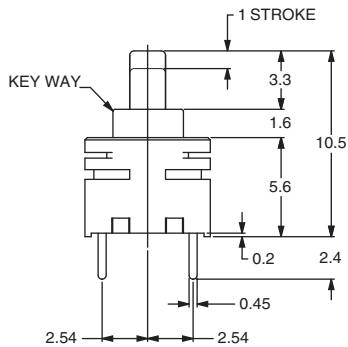
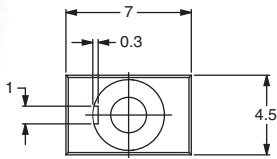


FP Series Sealed Ultra Miniature Pushbutton Switches **NEW!**

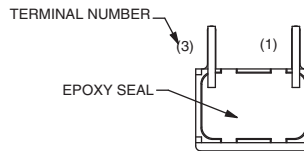
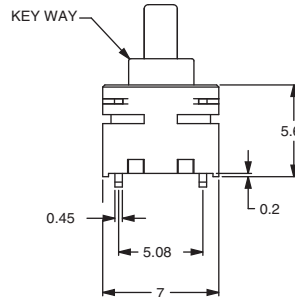
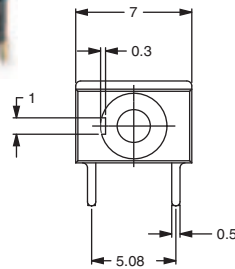
Pushbutton A

SWITCH FUNCTION

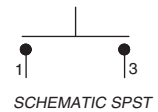
C1 VERTICAL



A1 RIGHT ANGLE

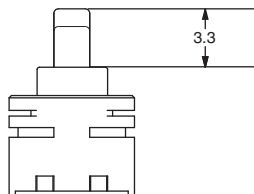


MODEL NO.	SWITCH FUNCTION	
	POS. 1	POS. 2
FP11		
	CONNECTED TERMINALS	
	OPEN	1-3



ACTUATOR LENGTH

SP STANDARD PLUNGER 3.3MM



Dimensions are shown: Inches (mm)
Specifications and dimensions subject to change

NEW!

FP Series Sealed Ultra Miniature Pushbutton Switches

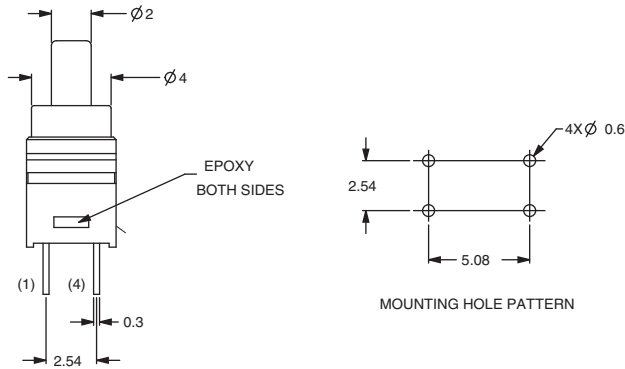


A

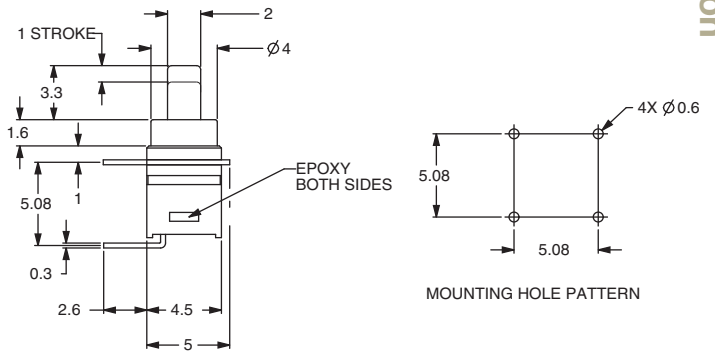
Pushbutton

TERMINAL STYLE

C1 VERTICAL



A1 RIGHT ANGLE



CONTACT PLATING

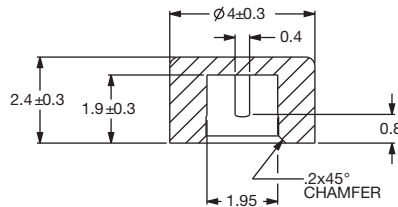
B1 GOLD OVER NICKEL PLATE

PACKAGING

TP TRAY PACKAGING

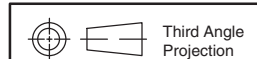
CAPS

OPTION CODE	DESCRIPTION
00	NO CAP
01	WHITE CAP, BULK BAGGED
02	BLACK CAP, BULK BAGGED
03	RED CAP, BULK BAGGED



To purchase Caps separately without switch, please use these part numbers

PART #	COLOR
798D01000	WHITE
798D02000	BLACK
798D03000	RED



Dimensions are shown: Inches (mm)
Specifications and dimensions subject to change