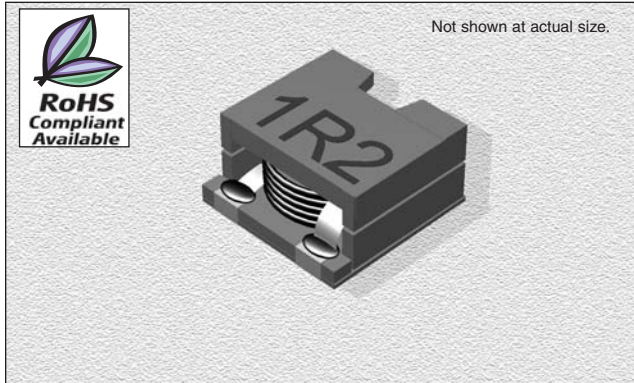


## CTEP125S Series

From 1.2  $\mu\text{H}$  to 10  $\mu\text{H}$



### CHARACTERISTICS

**Description:** SMD shielded power inductor

**Applications:** Power supplies for VTR, OA equipment, LCD televisions, PC notebooks, portable communication equipment, DC/DC converters, etc.

**Operating Temperature:** -30°C to +100°C

**Storage Temperature:** -30°C to +100°C

**Inductance Tolerance:**  $\pm 20\%$

**Testing:** Tested on a HP4285A at 100 KHz , 0.25Vrms , 0Adc

**Packaging:** Tape & Reel

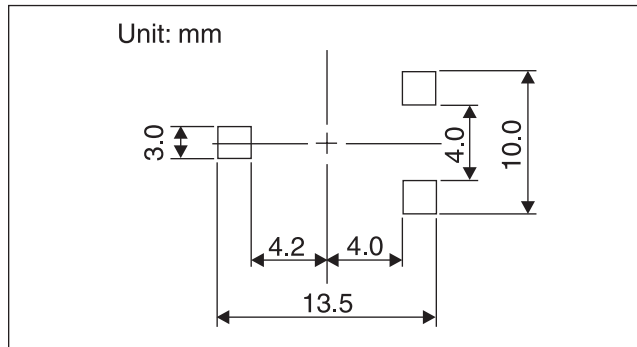
**Marking:** Parts are marked with inductance code

**Miscellaneous:** RoHS Compliant available.

**Additional Information:** Additional electrical & physical information available upon request

**Samples available.** See website for ordering information.

### PAD LAYOUT



### SPECIFICATIONS

Parts are available in  $\pm 20\%$  only.

\* This indicates the current when the inductance decreases to 75% over its nominal value or DC current when the temperature rising  $\Delta T=40^\circ\text{C}$  lower, whichever is lower.

CTEP125SE Please specify "F" for RoHS compliant

Part Number	Inductance ( $\mu\text{H} \pm 20\%$ )	L Test Freq. (kHz)	DCR Max. (m $\Omega$ )	*Current (A)
CTEP125S_-1R2M	1.2	100	2.5	17.0
CTEP125S_-1R5M	1.5	100	2.5	14.0
CTEP125S_-2R5M	2.5	100	3.4	10.0
CTEP125S_-4R0M	4.0	100	5.4	8.3
CTEP125S_-6R0M	6.0	100	8.0	6.7
CTEP125S_-8R2M	8.2	100	11.4	5.8
CTEP125S_-100M	10	100	13.5	5.0

### PHYSICAL DIMENSIONS

Size	A Max.	B Max.	C Max.	D	E	F	G	H
mm	12.9	12.9	5.8	2.6 $\pm$ .2	7.0 $\pm$ .2	4.0 $\pm$ .2	4.2 $\pm$ .2	2.5 $\pm$ .2
inches	.51	.51	.23	.10 $\pm$ .01	.28 $\pm$ .01	.16 $\pm$ .01	0.17 $\pm$ 0.1	.10 $\pm$ .01

