

IEC Appliance Inlet C14, Screw-on Mounting, Front Side, Solder Terminal



new

C14



70 °C

**Description**

- Panel Mount:
Screw-on mounting, Frontside
- Appliance Inlet, Pin temperature 70 °C, Protection class I
- Solder terminals

Approvals

- VDE License Number: 40011871
- UL License Number: E45115
- CSA License Number: 27324

References

[General Product Information](#)

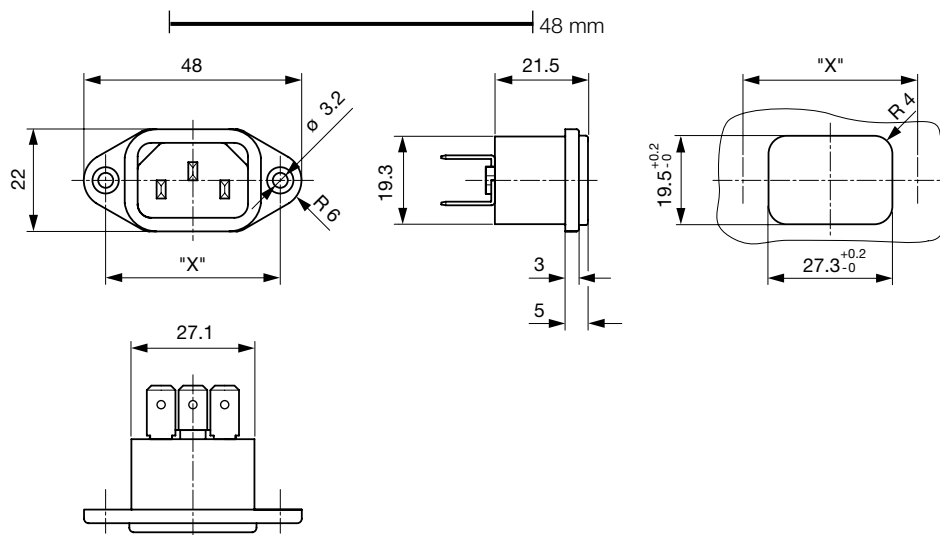
Weblinks

[Approvals](#), [RoHS](#), [CHINA-RoHS](#), [Mating Connectors](#), [e-Store](#), [Distributor-Stock-Check](#), [Accessories](#)

Technical Data

Ratings IEC	10A / 250VAC; 50 Hz
Ratings UL/CSA	15A / 250VAC; 60 Hz
Dielectric Strength	> 3kVAC between L-N > 1.5kVAC between L/N-PE (1 min/50Hz)
Allowable Operation Temp.	-25 °C to 70 °C
Degree of Protection	from front side IP 20 acc. to IEC 60529
Protection Class	Suitable for appliances with protection class 1 acc. to IEC 61140
Material: Housing	UL 94V-0

Appliance Inlet	C14 acc. to IEC/EN 60320-1 UL 498, CSA C22.2 no. 42 (for cold conditions) pin-temperature 70 °C, 10A, Protection Class 1
-----------------	---

Dimensions

length of the terminal please find at the order code configuration table

Config. Code

Product Configurator

6061-G - - A B C 0- D - E G

The characters are placeholders for the correspondingly keys of selections from the key tables.

6061-G - - A B C 0- D - E G = Terminals

Terminal L	Configuration key
solder terminal 	1

6061-G - - A B C 0- D - E G = Terminals

Terminal N	Configuration key
solder terminal	1

Symbols similar as in table A

6061-G - - A B C 0- D - E G = Terminals

Terminal Ground	Configuration key
solder terminal	1

Symbols similar as in table A

6061-G - - A B C 0- D - E G = Color

Color	Configuration key
jet black; RAL9005	A
silver grey; RAL7001	B
pure white; RAL9010	D
standard color: black	

6061-G - - A B C 0- D - E G = Style

Style	Configuration key
flange with countersunk holes	1
flange with through holes	2

6061-G - - A B C 0- D - E G = Dimension X

Dimension "X"	Configuration key
36	
40	

The dimension "X" is displayed in ($1/_{10}$ mm). This information is also valid for the order code

Variants

Config. Code	Description	Order Number
6061-G--1110-A-140	6061-G, IEC Appliance Inlet C14, 70°C, version: 1, L: solder terminal, N: solder terminal, ground: solder terminal, color: jet black; RAL9005, design: flange with countersunk holes, dimension X: 40	6162.0083

The listed variants should be available from stock Other versions on request www.schurter.com/contact

Packaging unit 50 Pcs

Mating Outlets/Connectors

Category / Description

[Appliance Outlet Overview complete](#)



IEC Appliance Outlet F, Screw-on Mounting, Front Side, Solder or Quick-connect Terminal	4787
IEC Appliance Outlet F, Snap-in Mounting, Front Side, Solder or Quick-connect Terminal	4788
IEC Appliance Outlet F or H, Screw-on Mounting, Front Side, Solder, PCB or Quick-connect Terminal	5091
IEC Appliance Outlet F or H, Screw-on Mounting, Front Side, Solder or Quick-connect Terminal	5092

[Appliance Outlet further types to 6061-G](#)

[Connector Overview complete](#)



IEC Connector C15, Rewireable, Straight	0101
IEC Connector C15A, Rewireable, Straight	0102
IEC Connector C15A, Rewireable, Straight	0102-G
IEC Connector C15A, Rewireable, Angled	0112
IEC Connector C13, Rewireable, Angled	4012

[Connector further types to 6061-G](#)

...

Category / Description

[Power Cord Overview complete](#)

Power Cord with IEC Connector C13, Angled	0311
Power Cord with IEC Connector C13, Angled	3011
Power Cord with IEC Connector C13, Angled	3012
Power Cord with IEC Connector C13, Angled	3013
Power Cord with IEC Connector C13	3020
Power Cord further types to 6061-G	...

[Power Supply or Interconnection Cord Overview complete](#)

Divers Power Supply and Interconnection Cords 10 A	Kabelverbindung/10 A
Power Supply or Interconnection Cord further types to 6061-G	