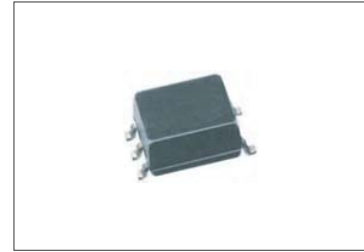


# Wide Band RF Eliminate Filter KHLC-07d



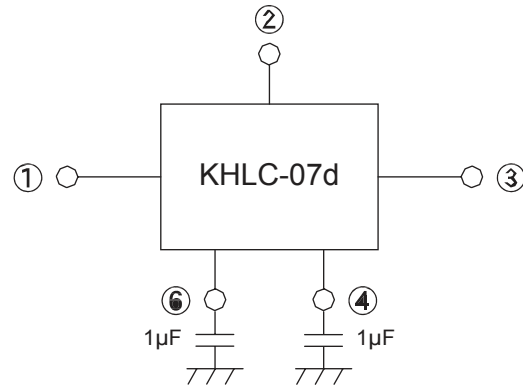
### Feature

- SMT Package in Thin Thickness
- Super broadband width:  $\alpha$  to 8.0 GHz min.
- \* The lower frequency  $\alpha$  is determined by external capacitor.

### Applications

1. Medical electronic instruments and equipments, power supplies circuit
2. FA electronic control equipments, power supplies circuit
3. Robot electronic control equipments, power supplies circuit
4. Rapid transmission telecom equipments, semiconductor power supplies circuit

### Example of Use-



### Absolute Maximum Rating

Parameter	Value (max.)	Unit
Rated Current	1,750	mA
Soldering Temperature	+265 (10 sec)	C
Operating Temperature	-40 ~ +105	C
Storage Temperature	-65 ~ +150	C

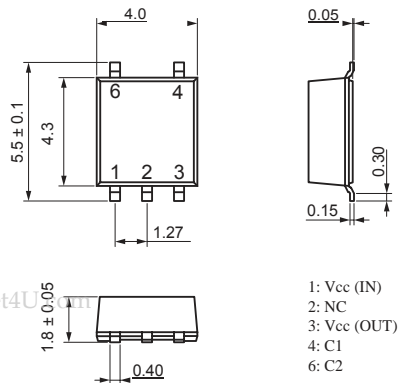
### Electrical Specifications

Parameter	Value	Condition
Band Width	100kHz ~ 8.0GHz (Typ.)	-20 dB
	300kHz ~ 5.3GHz (Typ.)	-30 dB
DC Resistance	0.09 $\Omega$ max.	DC

The lower frequency is determined by external capacitor.

The above data is shown when the capacitor 1 $\mu$ F (50 V) is used for the terminal No.4 and 6.

### Dimensions and Recommendable Footprint



UNIT : mm

