

PLEASE CHECK WWW.MOLEX.COM FOR LATEST PART INFORMATION

Part Number: **0190070074**
Status: **Active**
Description: InsulKrimp™ Female Fully Insulated Quick Disconnect Flag for 14-16 AWG Wire, Tab 6.35mm (.250") x .813mm (.032"), 94 V-0 Material, Mylar Tape Carrier

Documents:

[Drawing \(PDF\)](#) [RoHS Certificate of Compliance \(PDF\)](#)
[Product Specification PS-19902-008 \(PDF\)](#)

Agency Certification

UL E79133

General

Product Family Quick Disconnects
 Series 19007
 Crimp Quality Equipment Yes
 Product Name InsulKrimp™
 Type Quick Disconnect

Physical

Barrel Type Closed
 Color - Resin Natural
 Flammability 94V-0
 Gender Female
 Glow-Wire Compliant No
 Insulation Nylon (PA)
 Lock to Mating Part None
 Material - Metal Brass
 Material - Resin Nylon
 Orientation Flag
 Packaging Type Adhesive Tape on Reel
 Polarized to Mating Part No
 Tab Thickness 0.81mm (.032")
 Tab Width 6.35mm (.250")
 Temperature Range - Operating -65°C to +105°C
 Wire Insulation Diameter 5.08mm (.200")
 Wire Size AWG 14, 16
 Wire Size mm² 1.00 - 2.60

Electrical

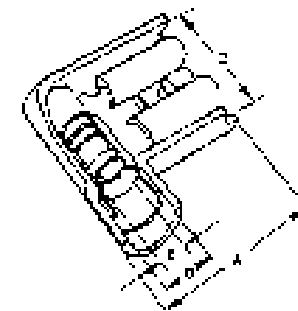
Voltage - Maximum 600V

Material Info

Old Part Number BB-2221VT

Reference - Drawing Numbers

Product Specification PS-19902-008
 Sales Drawing SD-19007-004



Series
image - Reference only

EU RoHS

ELV and RoHS Compliant
REACH SVHC
 Not Reviewed
Halogen-Free Status
 Not Reviewed

China RoHS



Need more information on product environmental compliance?

Email productcompliance@molex.com
 For a multiple part number RoHS Certificate of Compliance, [click here](#)

Please visit the [Contact Us](#) section for any non-product compliance questions.

Search Parts in this Series

19007Series

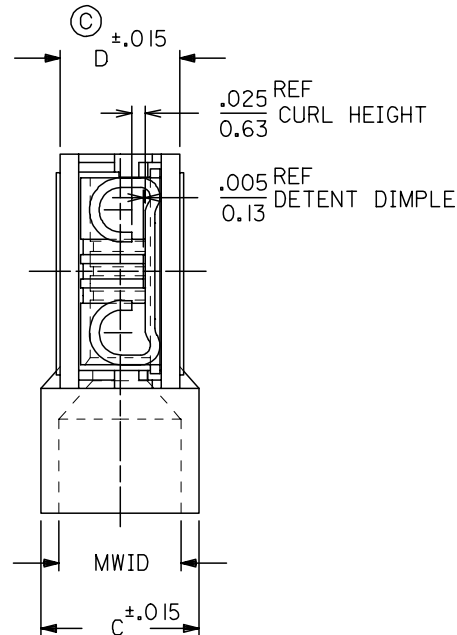
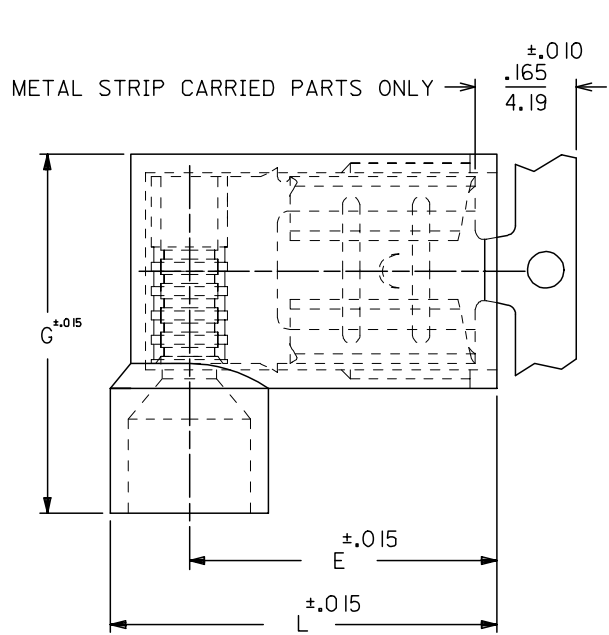
Application Tooling | FAQ

Tooling specifications and manuals are found by selecting the products below. Crimp Height Specifications are then contained in the Application Tooling Specification document.

Global

Description	Product #
Crimp Dies for the ATP-301 Air Crimping Press for Mylar Tape Mounted Terminals	<u>0192880165</u>
Hand Crimp Tool	<u>0640014100</u>

MATERIAL NUMBER	ENGINEERING NUMBER	CARRIER STYLE	AWG	COLOR	MWID	L	G	E	C	D
190070001	AA-2220	LOOSE	22-18	RED	.176/4.47	.630/16.00	.585/14.86	.512/13.00	.236/5.99	.197/5.00
190070005	AA-2220X	LOOSE	22-18	RED	.240/6.10	.662/16.81	.625/15.88	.512/13.00	.300/7.26	.197/5.00
190070021	BB-2221	LOOSE	16-14	BLUE	.200/5.08	.630/16.00	.585/14.86	.500/12.70	.260/6.60	.197/5.00
190070025	BB-2221X	LOOSE	16-14	BLUE	.265/6.73	.670/17.02	.625/15.88	.500/12.70	.325/8.26	.197/5.00
190070040	C-2211	LOOSE	12-10	YELLOW	.260/6.60	.667/16.93	.677/17.20	.511/12.98	.311/7.90	.246/6.25
190070008	AA-2220Z	METAL STRIP	22-18	RED	.176/4.47	.630/16.00	.585/14.86	.512/13.00	.236/5.99	.197/5.00
190070007	AA-2220XZ	METAL STRIP	22-18	RED	.240/6.10	.662/16.81	.625/15.88	.512/13.00	.300/7.26	.197/5.00
190070028	BB-2221Z	METAL STRIP	16-14	BLUE	.200/5.08	.630/16.00	.585/14.86	.500/12.70	.260/6.60	.197/5.00
190070027	BB-2221XZ	METAL STRIP	16-14	BLUE	.265/6.73	.670/17.02	.625/15.88	.500/12.70	.325/8.26	.197/5.00
190070041	C-2211Z	METAL STRIP	12-10	YELLOW	.260/6.60	.667/16.93	.677/17.20	.511/12.98	.311/7.90	.246/6.25



- NOTES:
1. MWID = MAX. WIRE INSULATION DIA.
 2. ALL DIMENSIONS = INCHES/MM
 3. MATERIAL:
HOUSING: NYLON
TERMINAL: TIN PLATED BRASS
 4. ASSEMBLY IS ROHS COMPLIANT.

REDWN W/DIM. D ADDED EC NO: ETC2007-0229 DRW: NEHLE 2006/12/15 CHKD: JMACNEIL 2006/12/15 APPR: JMACNEIL 2006/12/15	QUALITY SYMBOLS	GENERAL TOLERANCES (UNLESS SPECIFIED)	DIMENSION STYLE	SCALE	DESIGN UNITS	THIRD ANGLE PROJECTION																
	$\nabla=0$ $\nabla=0$	<table border="1"> <thead> <tr> <th></th> <th>mm</th> <th>INCH</th> </tr> </thead> <tbody> <tr> <td>4 PLACES</td> <td>± ---</td> <td>± ---</td> </tr> <tr> <td>3 PLACES</td> <td>± ---</td> <td>± .005</td> </tr> <tr> <td>2 PLACES</td> <td>± 0.13</td> <td>± .01</td> </tr> <tr> <td>1 PLACE</td> <td>± 0.25</td> <td>± ---</td> </tr> </tbody> </table>		mm	INCH	4 PLACES	± ---	± ---	3 PLACES	± ---	± .005	2 PLACES	± 0.13	± .01	1 PLACE	± 0.25	± ---	IN/MM	5:1	INCH		
		mm	INCH																			
	4 PLACES	± ---	± ---																			
3 PLACES	± ---	± .005																				
2 PLACES	± 0.13	± .01																				
1 PLACE	± 0.25	± ---																				
DRAFT WHERE APPLICABLE MUST REMAIN WITHIN DIMENSIONS	<table border="1"> <tr> <td>DRAWN BY</td> <td>DATE</td> <td>TITLE</td> </tr> <tr> <td>RCM</td> <td>1989/07/26</td> <td>FLAG QUICK DISCONNECT, FULLY INSULATED, .250 X .032 TAB SIZE</td> </tr> <tr> <td>CHECKED BY</td> <td>DATE</td> <td></td> </tr> <tr> <td>JM</td> <td>1989/07/26</td> <td></td> </tr> <tr> <td>APPROVED BY</td> <td>DATE</td> <td></td> </tr> <tr> <td>FP</td> <td>1989/07/26</td> <td></td> </tr> </table>	DRAWN BY	DATE	TITLE	RCM	1989/07/26	FLAG QUICK DISCONNECT, FULLY INSULATED, .250 X .032 TAB SIZE	CHECKED BY	DATE		JM	1989/07/26		APPROVED BY	DATE		FP	1989/07/26		MATERIAL NO. SEE CHART	DOCUMENT NO. SD-19007-004	SHEET NO. 1 OF 1
DRAWN BY	DATE	TITLE																				
RCM	1989/07/26	FLAG QUICK DISCONNECT, FULLY INSULATED, .250 X .032 TAB SIZE																				
CHECKED BY	DATE																					
JM	1989/07/26																					
APPROVED BY	DATE																					
FP	1989/07/26																					
SIZE B THIS DRAWING CONTAINS INFORMATION THAT IS PROPRIETARY TO MOLEX INCORPORATED AND SHOULD NOT BE USED WITHOUT WRITTEN PERMISSION																						