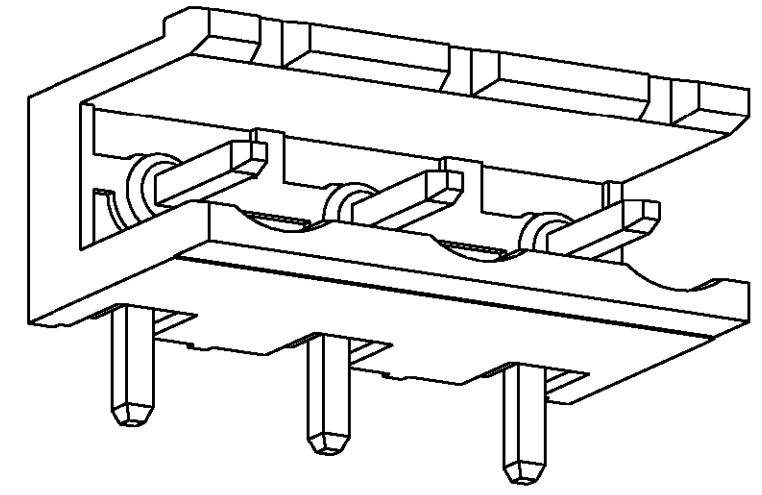
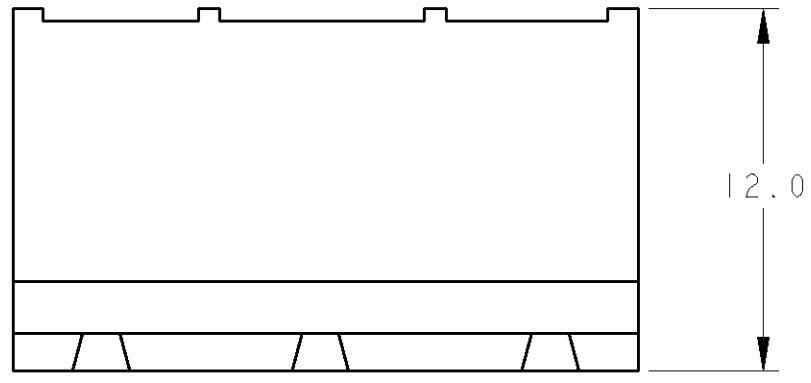


THIS DRAWING IS UNPUBLISHED. RELEASED FOR PUBLICATION 20
 © COPYRIGHT 20 BY TYCO ELECTRONICS CORPORATION. ALL RIGHTS RESERVED.

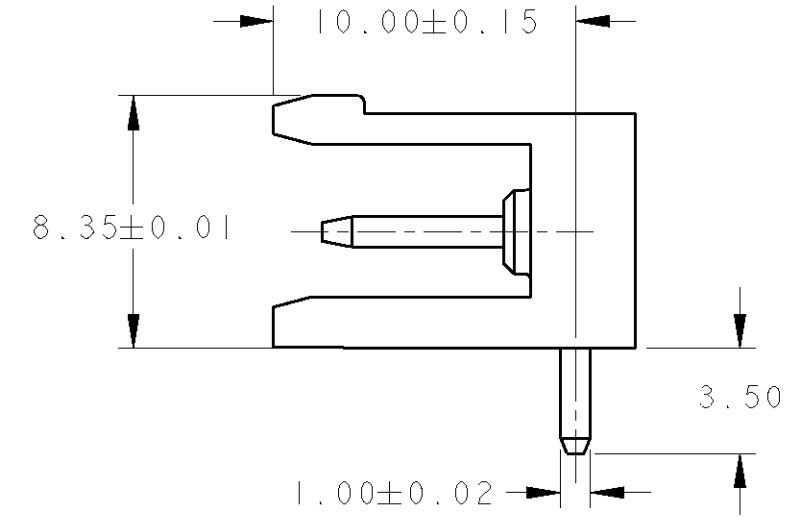
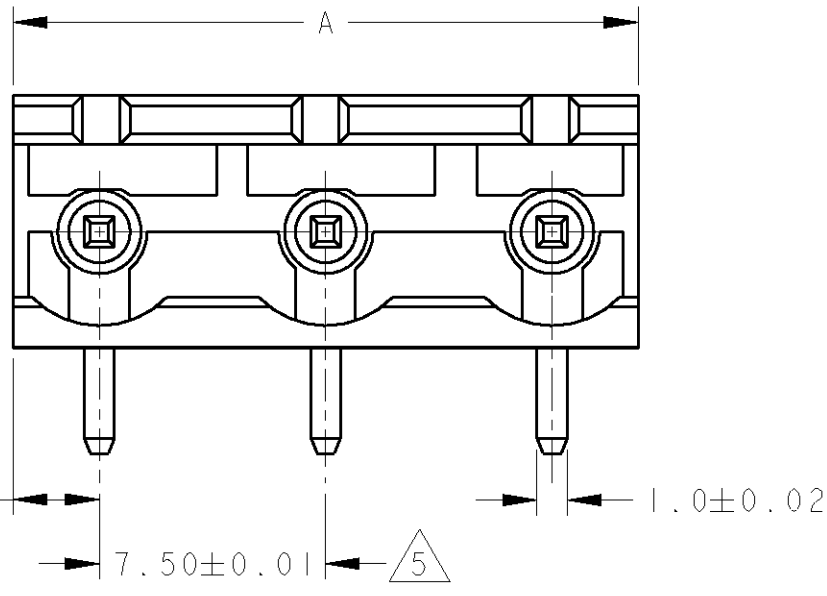
LOC FT DIST 0

| REVISIONS | | | | | |
|-----------|-----|--------------------------|-----------|-----|------|
| P | LTR | DESCRIPTION | DATE | DWN | APVD |
| | C | REVISED PER 0G3B-0119-01 | 15NOV2001 | EZ | DB |
| | | | | | |
| | | | | | |



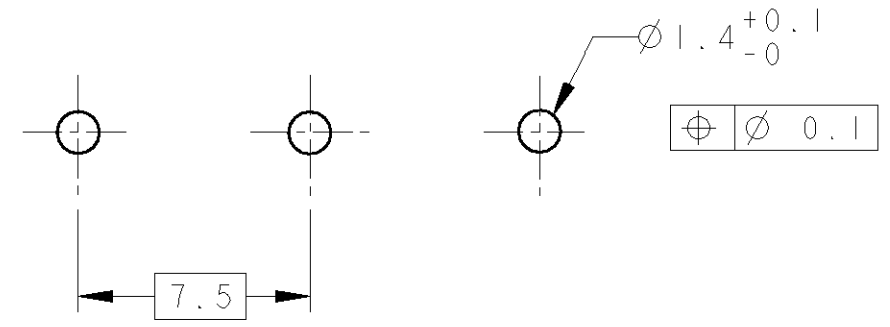
282961-3 AS SHOWN

- 1 MATERIALS AND FINISH
HOUSING: PA 6-6, UL 94-V0, COLOR GREEN.
TERMINAL: PHOSPHOR BRONZE, TIN PLATED.
- 2 SUITABLE FOR 1,6-2,4mm PC BOARD THICKNESS.
- 3 RECOGNIZED UNDER THE COMPONENT PROGRAM OF UNDERWRITERS LABORATORIES INC. FILE N° E60677.
- 4 IMQ CERTIFICATE WITH SURVEILLANCE IN CONFORMITY WITH IEC 998-1/998-2-1.
- 5 NOT CUMULATIVE TOLERANCE.



| 88.20 | 12 | 1-282961-2 |
|--------|------------|-------------|
| 80.70 | 11 | 1-282961-1 |
| 73.20 | 10 | 1-282961-0 |
| 65.70 | 9 | 282961-9 |
| 58.20 | 8 | 282961-8 |
| 50.70 | 7 | 282961-7 |
| 43.20 | 6 | 282961-6 |
| 35.70 | 5 | 282961-5 |
| 28.20 | 4 | 282961-4 |
| 20.70 | 3 | 282961-3 |
| 13.20 | 2 | 282961-2 |
| DIM. A | N° OF POS. | PART NUMBER |

RECOMMENDED PC BOARD LAYOUT



| | | | |
|---|--|---|--|
| <small>THIS DRAWING IS A CONTROLLED DOCUMENT FOR TYCO ELECTRONICS CORPORATION IT IS SUBJECT TO CHANGE AND THE CONTROLLING ENGINEERING ORGANIZATION SHOULD BE CONTACTED FOR THE LATEST REVISION.</small> | | DWN 15NOV2001 E. ZANOLINI CHK 15NOV2001 D. BIEVENOUR APVD 15NOV2001 D. BIEVENOUR | BUCHANAN Tyco Electronics Harrisburg, PA 17105-3608 |
| DIMENSIONS: mm | TOLERANCES UNLESS OTHERWISE SPECIFIED: 0 PLC ±- 1 PLC ±.3 2 PLC ±.25 3 PLC ±- 4 PLC ±- ANGLES ±2 | PRODUCT SPEC 108-20166 APPLICATION SPEC 114-20079 | NAME TERMINAL BLOCK HEADER ASSEMBLY, 90° OPEN ENDS, 7.5mm PITCH |
| MATERIAL | FINISH | WEIGHT | RESTRICTED TO |
| | | - | - |
| CUSTOMER DRAWING | | SCALE 4:1 | SHEET 1 OF 1 REV C |