

PLEASE CHECK WWW.MOLEX.COM FOR LATEST PART INFORMATION

Part Number: [0352821615](#)
Status: **Active**
Description: 2.28mm (.090") Tab Wire-to-Wire Uniconn Housing, Male, 16 Circuits

Documents:

[Drawing \(PDF\)](#) [RoHS Certificate of Compliance \(PDF\)](#)
[Product Specification PS-35282-001 \(PDF\)](#)

General

Product Family	Crimp Housings
Series	35282
Product Name	Uniconn

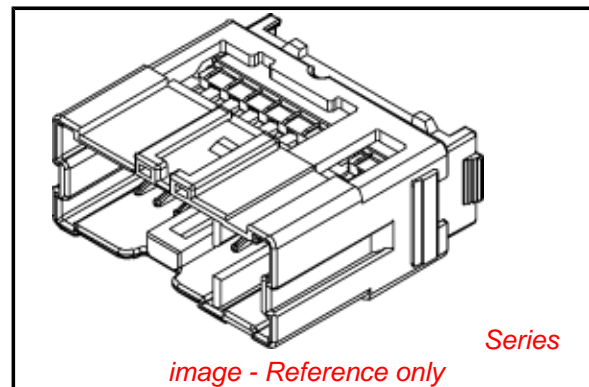
Physical

Circuits (maximum)	16
Color - Resin	Black, Gray
Gender	Male
Glow-Wire Compliant	No
Material - Resin	Polyester
Number of Rows	2
Packaging Type	Bag
Panel Mount	No
Pitch - Mating Interface (in)	0.150 In
Pitch - Mating Interface (mm)	3.80 mm
Temperature Range - Operating	-40°C to +80°C

Material Info

Reference - Drawing Numbers

Product Specification	PS-35282-001
Sales Drawing	SD-35282-161*



EU RoHS

ELV and RoHS Compliant
REACH SVHC
 Not Reviewed
Halogen-Free Status

China RoHS



Need more information on product environmental compliance?

Email productcompliance@molex.com
 For a multiple part number RoHS Certificate of Compliance, [click here](#)

Please visit the [Contact Us](#) section for any non-product compliance questions.

Search Parts in this Series

[35282Series](#)

Mates With

[35284](#)

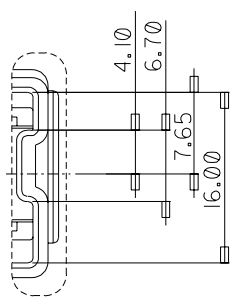
Use With

[35420](#) , [35421](#)

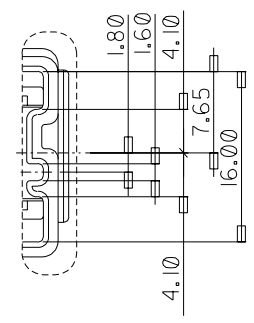
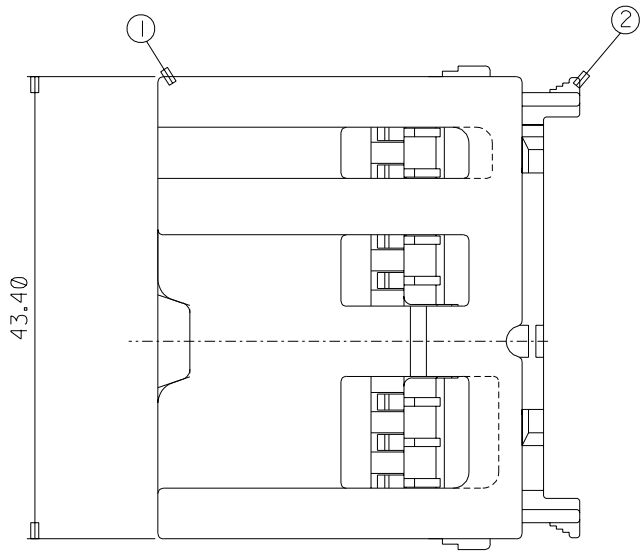
PLEASE CHECK WWW.MOLEX.COM FOR LATEST PART INFORMATION

DO NOT SCALE DRAWING
DIMENSION IN METRIC

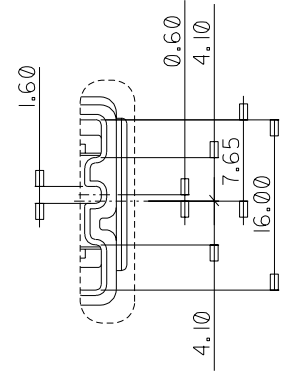
PROJECT NO. SD-35282-1610
SIMILAR ITEM



35282-1610 (NATURAL)

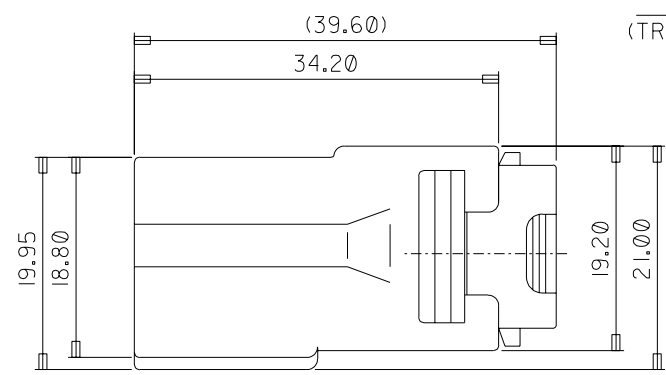
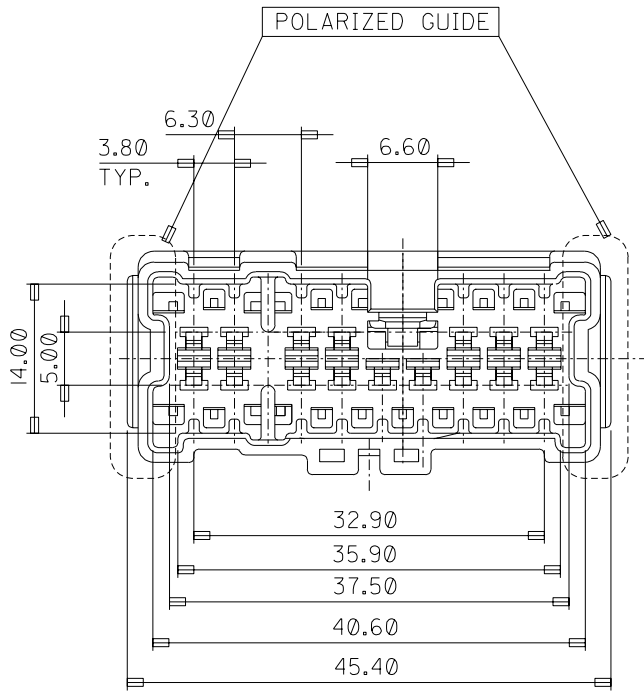


35282-1615 (GRAY)



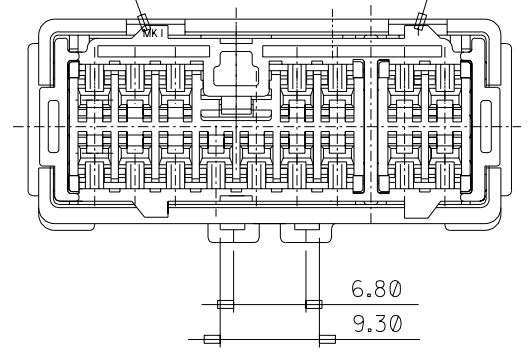
35282-1617 (BROWN)

POLARIZED GUIDE DIM'S



MKI
(TRADE MARK)

CAV.NO.



	PART NO.	PART NAME	MATERIAL
①	35282-169*	UNICONN MALE HOUSING-16P	PBT
②	35283-1681	UNICONN MALE TPA-16P	PBT, BLACK

REVISED EC NO. KOR2003-0057 DRAWN: S.M.KIM 03/09/30 CHK: B.C.YOON 03/09/30 APPROV: M.LEE	QUALITY SYMBOLS MAJOR CRITICAL	GENERAL TOLERANCES: (UNLESS SPECIFIED)	SCALE 1:1	DESIGN UNITS <input checked="" type="checkbox"/> mm <input type="checkbox"/> INCH	DIMENSIONS: <input type="checkbox"/> INCH <input checked="" type="checkbox"/> mm	SHT	REV
		4 PLACES ±0.10 ±. 3 PLACES ±0.15 ±. 2 PLACES ±0.20 ±. 1 PLACE ±0.30 ±.	DRAWN BY & DATE C.W.Y. YANG, 97/11/17	THIRD ANGLE PROJECTION	TITLE: UNICONN MALE ASS'Y-16P	REVISION ON CAD ONLY	
B	DESCRIPTION	ANGULAR: ±1.0°	CAD FILENAME SD2821610.DGN	MATERIAL NO. SEE TABLE	DRAWING NO. SD 35282-1610	SHEET NO. 1/1	SIZE C
DRAFT WHERE APPLICABLE MUST REMAIN WITHIN DIMENSIONS		THIS DRAWING CONTAINS INFORMATION THAT IS PROPRIETARY TO MOLEX INCORPORATED AND SHOULD NOT BE USED WITHOUT WRITTEN PERMISSION.				MX-A2	