

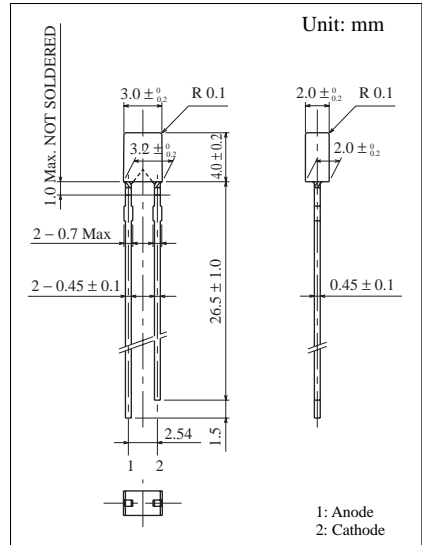
3.0 mm × 2.0 mm Series

| Conventional Part No. | Global Part No. | Lighting Color |
|-----------------------|-----------------|----------------|
| LN260RCPX | LNG260LKR | Red |
| LN360GCPX | LNG360MKG | Green |
| LN460YCPX | LNG460NKX | Amber |

■ 絶対最大定格 Absolute Maximum Ratings ($T_a = 25^\circ\text{C}$)

| Lighting Color | P_D (mW) | I_F (mA) | I_{FP} (mA)* | V_R (V) | T_{opr} ($^\circ\text{C}$) | T_{stg} ($^\circ\text{C}$) |
|----------------|------------|------------|----------------|-----------|--------------------------------|--------------------------------|
| Red | 70 | 25 | 150 | 4 | -25 ~ +85 | -30 ~ +100 |
| Green | 90 | 30 | 150 | 4 | -25 ~ +85 | -30 ~ +100 |
| Amber | 90 | 30 | 150 | 4 | -25 ~ +85 | -30 ~ +100 |

I_{FP} の条件は $duty$ 10% , Pulse width 1 msec. The condition of I_{FP} is duty 10%, Pulse width 1 msec



■ 電気的光学的特性 Electro-Optical Characteristics ($T_a = 25^\circ\text{C}$)

| Conventional Part No. | Lighting Color | Lens Color | I_O | | I_F | V_F | | λ_P | $\Delta\lambda$ | I_F | I_R | |
|-----------------------|----------------|-------------|-------|------|-------|-------|-----|-------------|-----------------|-------|---------------|-------|
| | | | Typ | Min | | Typ | Max | | | | Max | V_R |
| LN260RCPX | Red | Red Clear | 0.6 | 0.20 | 15 | 2.2 | 2.8 | 700 | 100 | 20 | 5 | 4 |
| LN360GCPX | Green | Green Clear | 3.0 | 1.00 | 20 | 2.2 | 2.8 | 565 | 30 | 20 | 10 | 4 |
| LN460YCPX | Amber | Amber Clear | 2.0 | 0.75 | 20 | 2.2 | 2.8 | 590 | 30 | 20 | 10 | 4 |
| Unit | — | — | mcd | mcd | mA | V | V | nm | nm | mA | μA | V |

