

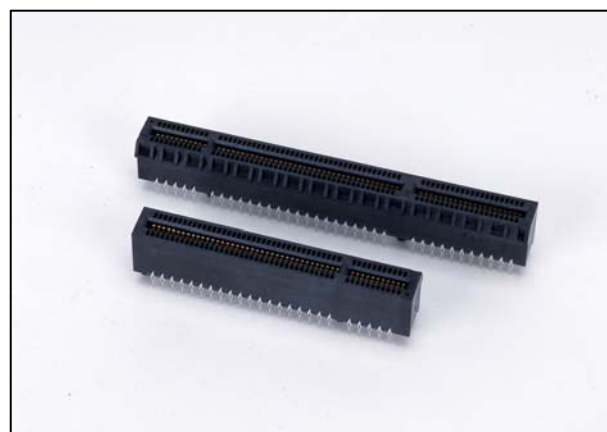
07J series (PCI Express Bus) connector

FCN-074J098-G/3P,FCN-074J140-G/3P

RoHS Compliant

FEATURES

- PCI Express (Gen2) bus card edge connector (Press fit type)
- 8 lane-98 contacts, 12 lane-140 contacts
- Twin-point contact structure, which ensures a reliable connection
- Insulator is UL - approved (UL94V-0).



SPECIFICATIONS

Item	Specifications
Environmental range	-55 to +85 degreeC
Current rating	1.1A
Voltage rating	50VAC
Contact resistance	30m ohm max. (10mA, 20mVDC)
Insulation resistance	1,000M ohm min. (500VDC)
Dielectric withstanding voltage	AC 500V for 1 minute
Insertion force	1.15N/2 contacts max. (56.35N (8 lane) max. 80.5N (12 lane) max.)
Press-fit pin insertion force	44.5N/pin max.

PART NUMBERS

Part number	Lane	Number of contacts	Package	Plastic Tray Qtys	Container Qtys
FCN-074J098-G/3P	8	98	Tray	40pcs	400pcs
FCN-074J140-G/3P	12	140	Tray	30pcs	300pcs

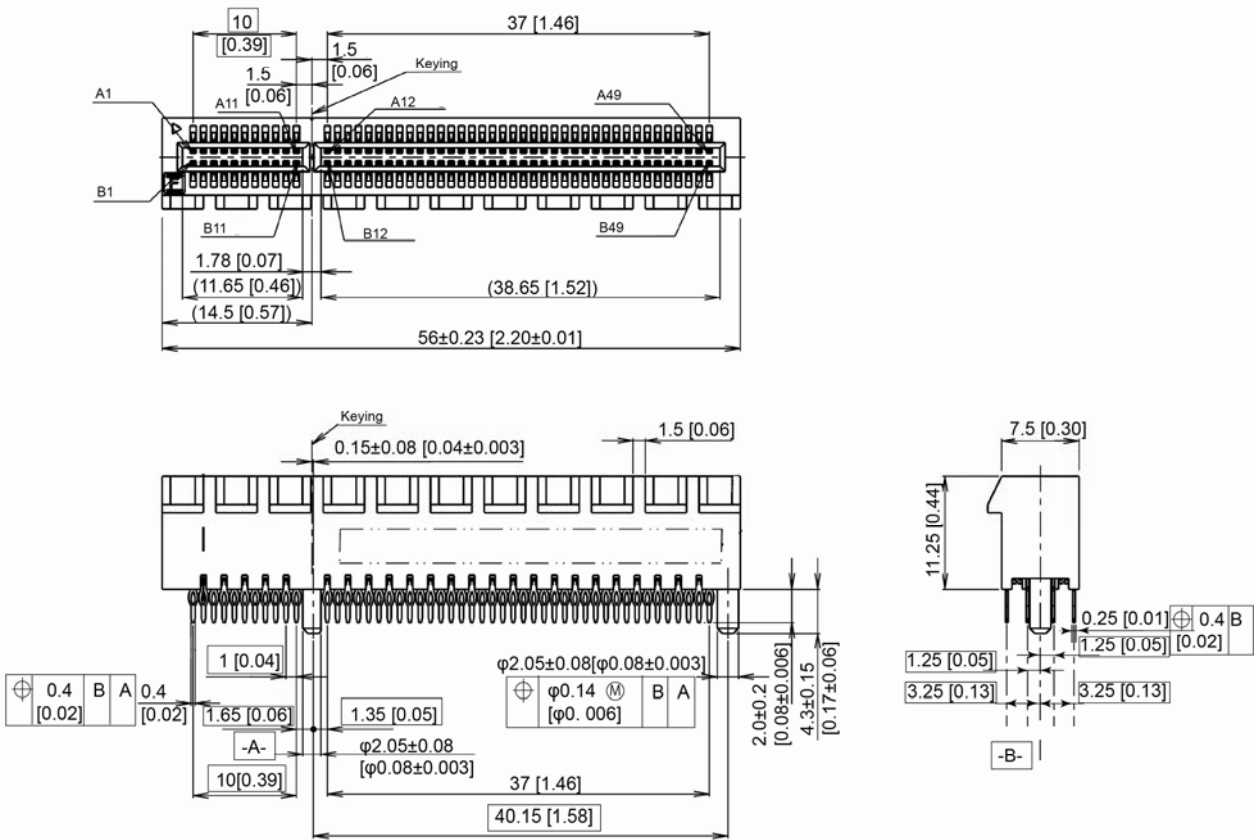
MATERIALS

Item		Materials
Insulating material		LCP (UL94V-0)
Conductor		Copper Alloy
Plating	Contact	Gold plating (PAGOS®)
	Compliant	Tin Plating

DIMENSIONS

8 lane - 98 contacts

[FCN-074J098-G/3P]



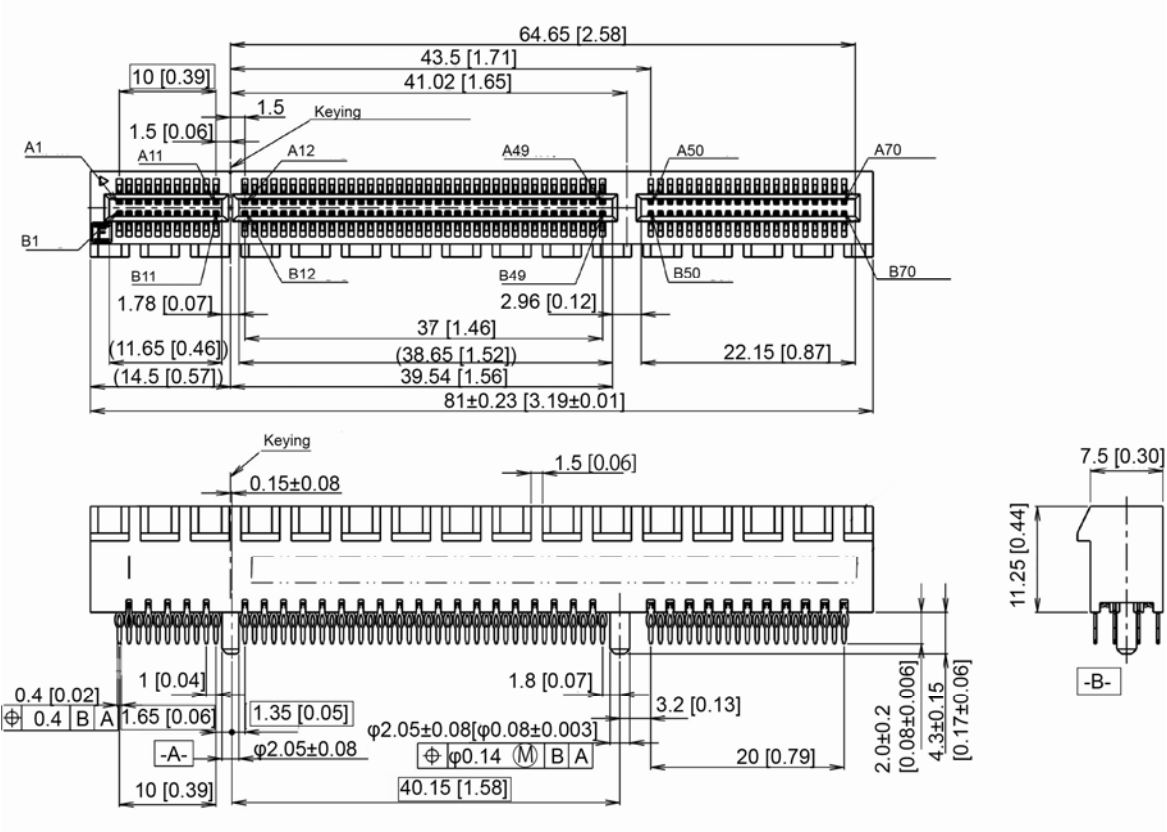
PRSNP Pin: A1, B17, B31, B48

Unit:mm
The dimension in () is reference dimension.

DIMENSIONS

12 lane - 140 contacts

[FCN-074J140-G/3P]

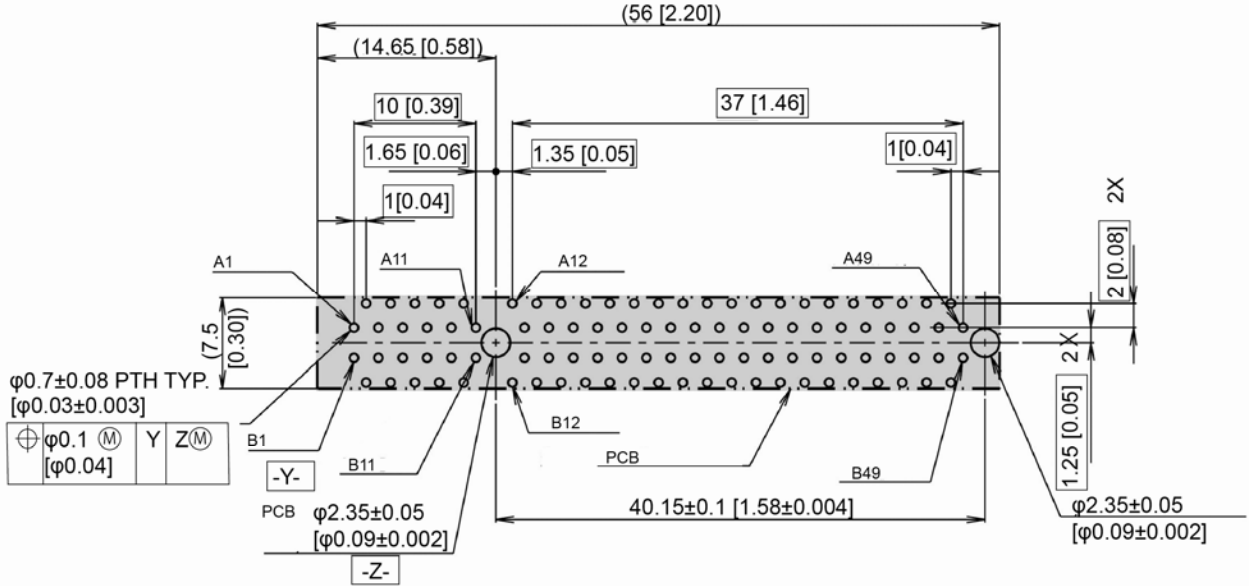


PRSNT Pin : A8, A9, A10, A11, B11, B12

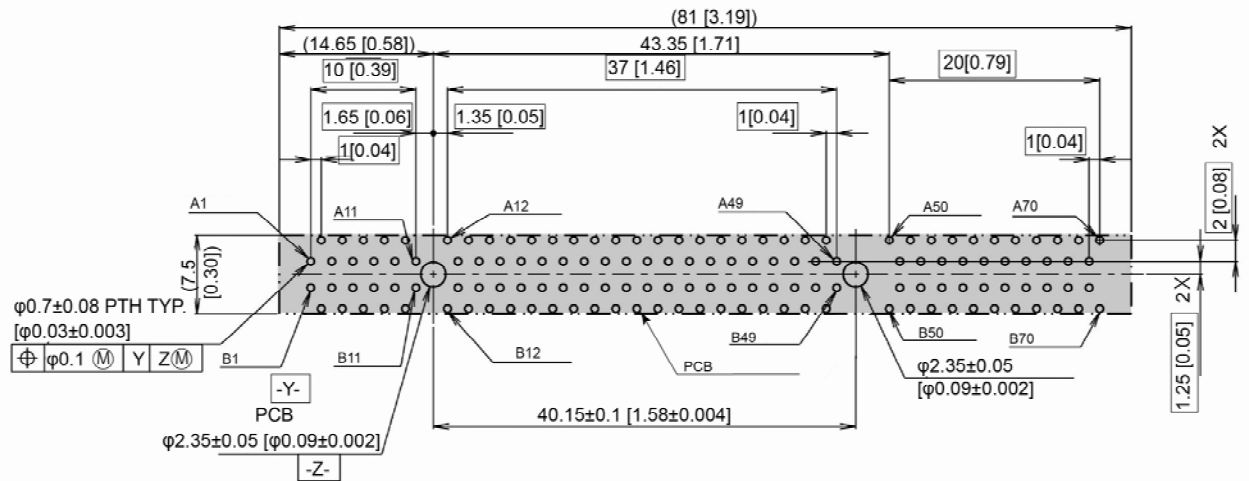
Unit:mm
The dimension in () is reference dimension.

RECOMMENDED P.W.B DIMENSION (TOP VIEW)

[FCN-074J098-G/3P]



[FCN-074J140-G/3P]

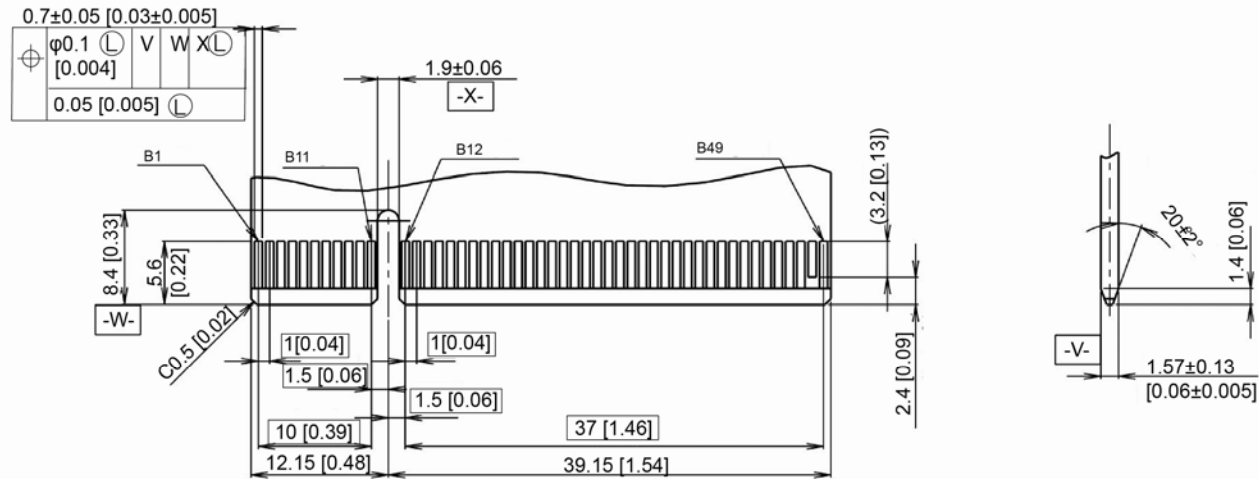


Recommended thickness of P.W.B.: 1.6-3.2mm
 Shaded part shows the pattern inhibited area.

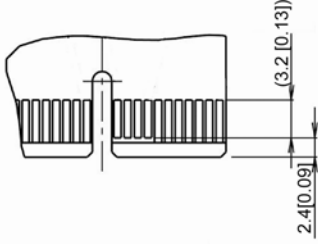
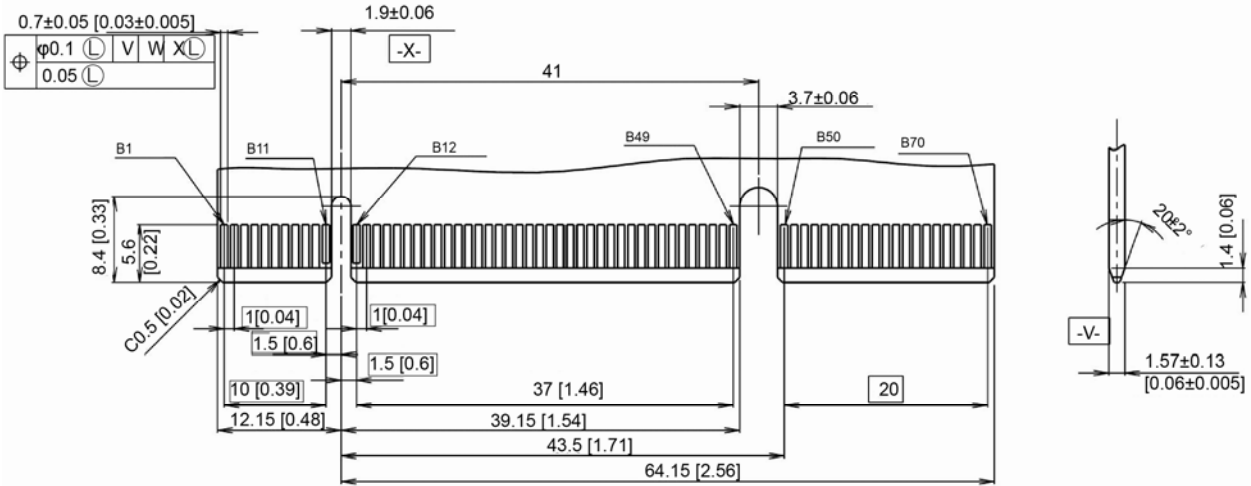
Unit:mm
 The dimension in () is reference dimension.

RECOMMENDED MODULE CONTACT DIMENSION

[18 lane 98contacts module]



[12 lane 140 contacts module]



Remark: Each pin applies to PRSNT pin.

Unit:mm
The dimension in () is reference dimension.

■ SALES OFFICES

Japan

Fujitsu Component Limited
 Gotanda-Chuo Building
 3-5, Higashigotanda 2-chome, Shinagawa-ku
 Tokyo 141, Japan
 Tel: (81-3) 5449-7010
 Fax: (81-3) 5449-2626
 Email: promothq@ft.ed.fujitsu.com
 Web: www.fcl.fujitsu.com

North and South America

Fujitsu Components America, Inc.
 250 E. Caribbean Drive
 Sunnyvale, CA 94089 U.S.A.
 Tel: (1-408) 745-4900
 Fax: (1-408) 745-4970
 Email: components@us.fujitsu.com
 Web: <http://us.fujitsu.com/printers/>

Europe

Fujitsu Components Europe B.V.
 Diamantlaan 25
 2132 WV Hoofddorp
 Netherlands
 Tel: (31-23) 5560910
 Fax: (31-23) 5560950
 Email: info@fceu.fujitsu.com
 Web: emea.fujitsu.com/components/

Asia Pacific

Fujitsu Components Asia Ltd.
 102E Pasir Panjang Road
 #01-01 Citilink Warehouse Complex
 Singapore 118529
 Tel: (65) 6375-8560
 Fax: (65) 6273-3021
 Email: fcac@fcal.fujitsu.com
 Web: <http://www.fujitsu.com/sg/services/micro/components/>

©2011 Fujitsu Components America, Inc. All rights reserved. All trademarks or registered trademarks are the property of their respective owners.

Fujitsu Components America or its affiliates do not warrant that the content of datasheet is error free. In a continuing effort to improve our products Fujitsu Components America, Inc. or its affiliates reserve the right to change specifications/datasheets without prior notice.
 Rev. January 21, 2011.