

**LEAD FREE
COMPATIBLE OPTION**

C&K ELUM™ Series Right Angle Illuminated Latching Pushbutton

Features/Benefits

- SPDT (N.O. & N.C.)
- Low height above PCB
- Reliable self-cleaning contact
- Surface-mount or thru-hole PCB
- Standard or custom actuator
- Central LED illumination
- Latching or Momentary
- Long travel. Smooth feel
- RoHS and lead-free compliant

Typical Applications

- Telecom network equipment
- Automotive electronics
- Consumer electronics
- Computer, server, modem, data storage
- Professional instrumentation, medical

NEW!

Patent Pending



Materials

FIXED CONTACTS AND TERMINALS: Stainless steel, silver plated with gold flash (STD.)
MOVABLE CONTACTS: Copper alloy, silver plated with gold flash (STD.)
BASE: Glass filled LCP (UL94V-0)
ACTUATOR: Glass filled nylon 4/6 (UL94V-0)
COVER: Stainless steel

Electrical

MAXIMUM POWER: 3.5 VA
MIN./MAX. VOLTAGE: 20 mV – 50 VDC
MIN./MAX. CURRENT: 0.01 mA – 250 mA
DIELECTRIC STRENGTH: ≥ 250 Vrms
CONTACT RESISTANCE: ≤ 50 mΩ
INSULATION RESISTANCE: ≥ 10⁹ Ω
BOUNCE TIME: ≤ 1 ms
LED SPECIFICATIONS: See page A-5

Mechanical

OPERATING FORCE: 2.5 N at Full Travel
SWITCHING TRAVEL: .067" (1.7 mm)
LATCH TRAVEL: .131" (3.6 mm)
FULL TRAVEL: .200" (5.1 mm)

Operating Environment

OPERATING TEMPERATURE: -40°C TO 85°C.
STORAGE TEMPERATURE: -40°C TO 85°C.
RELATIVE HUMIDITY: 90% R.H. @ 85°C.
OPERATING LIFE: 30,000 Cycles.
VIBRATION: Per EIA 186-E Methods 7 & 8
MECHANICAL SHOCK: Per EIA 186-E Method 12.
OVERLOAD: Withstands 40 N for 1 minute without damage

Process Environment

SOLDERABILITY: According to Mil STD 202F Method 208D or EIA RS-186E Method 9.
LEAD FREE PROCESS COMPATIBLE: 260°C peak, 10 seconds Max. above 250° C.
WASHING PROCESS: No clean process compatible (SMT)
Bottom wash compatible (Thru-hole)
SHEAR TEST (SWITCH/PCB): > 40 N

Packaging

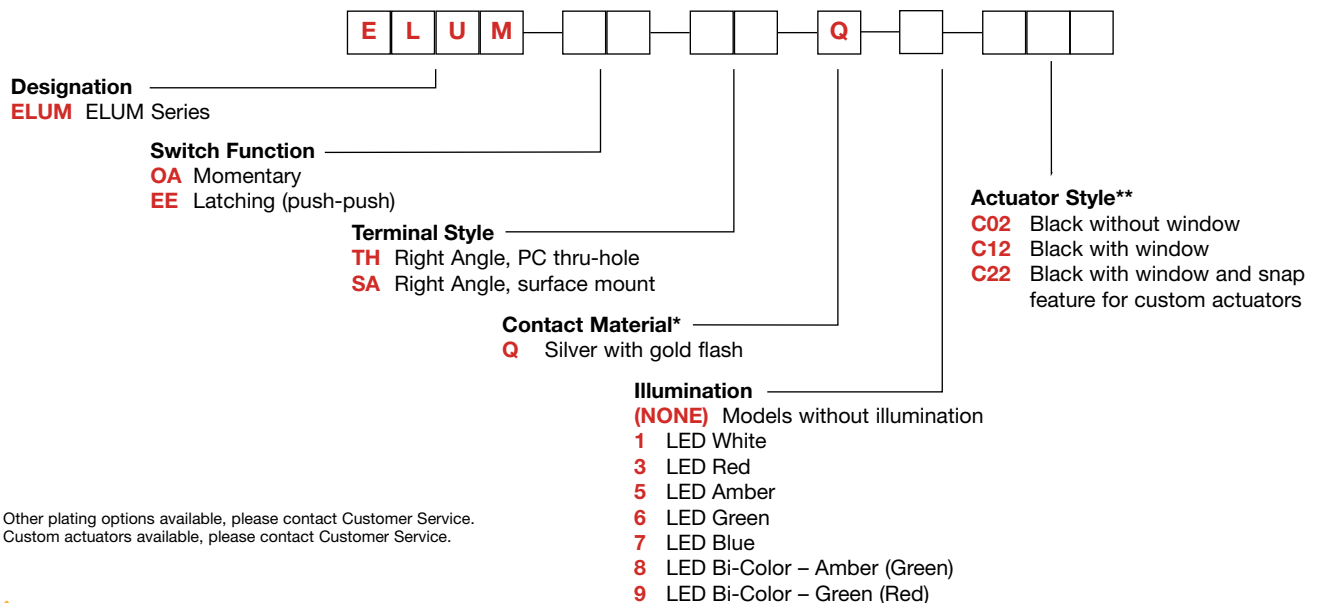
"SA" Terminal Style SMT: Tape and reel per EIA 481-2 (450/reel)
"TH" Terminal Style PC: Tray (60/tray)

NOTE: Any models supplied with Q, B or G contact material are RoHS compliant. For the latest information regarding RoHS compliance, please go to: www.ittcannon.com/rohs.

NOTE: Specifications and materials listed above are for switches with standard options. For information on specific and custom switches, please contact Customer Service.

Build-A-Switch

To order, simply select desired option from each category and place in the appropriate box.



* Other plating options available, please contact Customer Service.

** Custom actuators available, please contact Customer Service.



Dimensions are shown: Inches (mm)
Specifications and dimensions subject to change

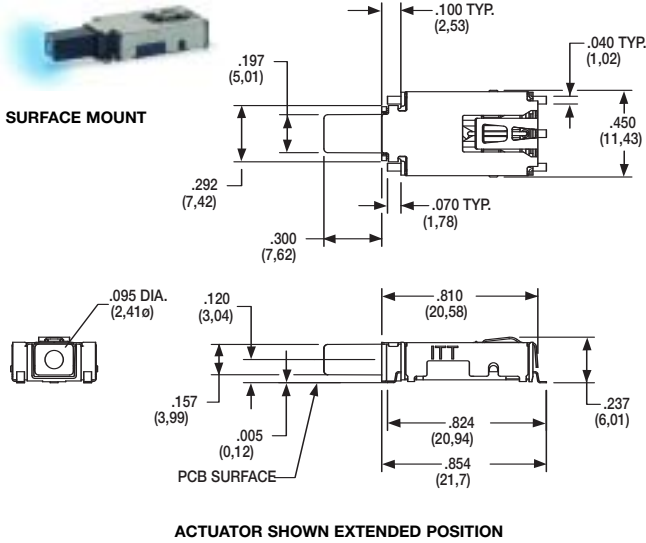


C&K ELUM™ Series Right Angle Illuminated Latching Pushbutton

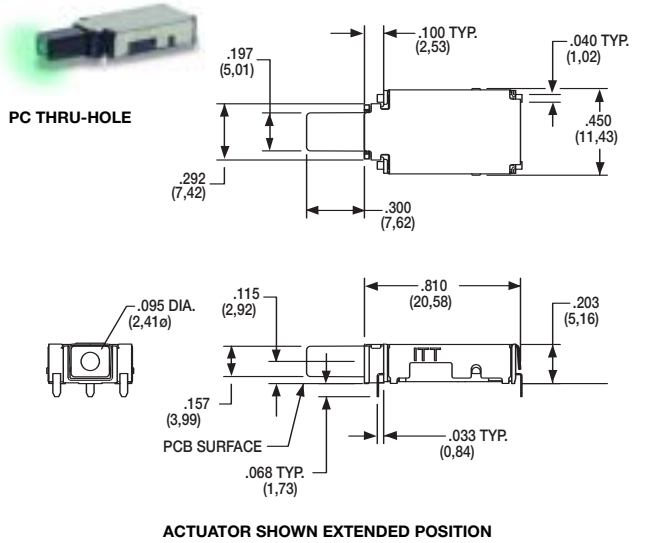
STANDARD OPTIONS

Pushbutton
A

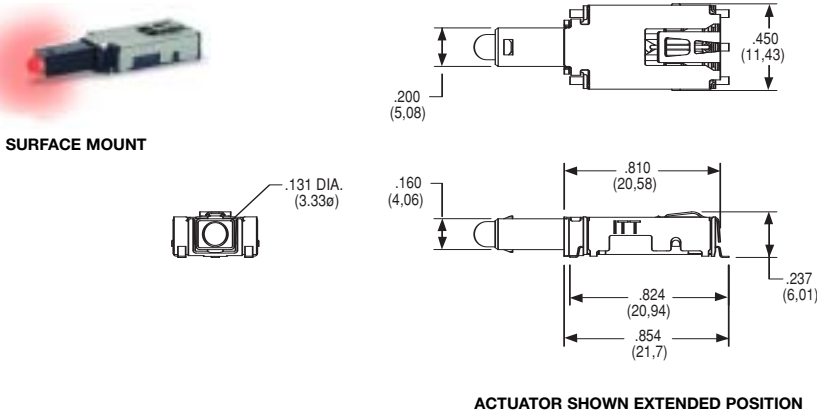
ELUMEEA7C12



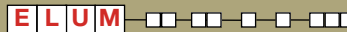
ELUMOATHQ6C12



ELUMEEA3C22

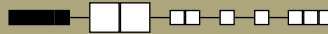


DESIGNATION



ELUM ELUM SERIES, Illuminated Latching Pushbutton

SWITCH FUNCTION



OPTION CODE	NO. OF POLES	SWITCH FUNCTION	CONNECTED TERMINALS	SWITCH FUNCTION	CONNECTED TERMINALS	SCHEMATIC + Anode - Cathode
OA	SP Momentary	ON	3 - 4	ON (Mom.)	3 - 2	
EE	SP Latching (Push-Push)	ON	3 - 4	ON	3 - 2	

For SPST N.O. function, only terminals 3 & 2 are used.
For SPST N.C. function, only terminals 3 & 4 are used.
Circuit: Make before break

LED pins 1 & 5 are independent of switch function.



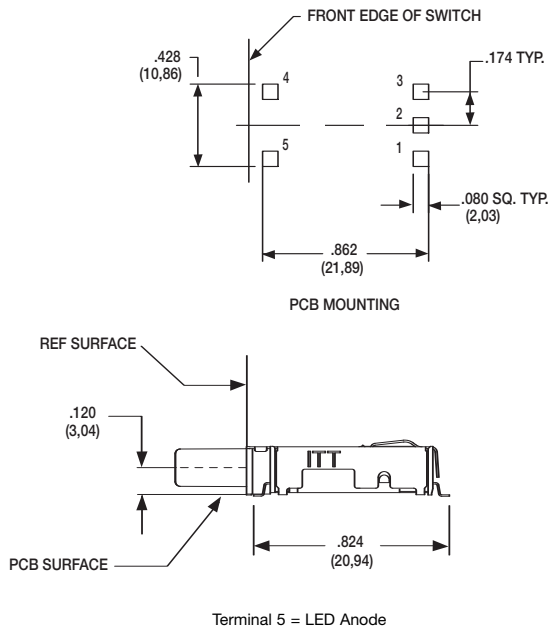
Third Angle Projection



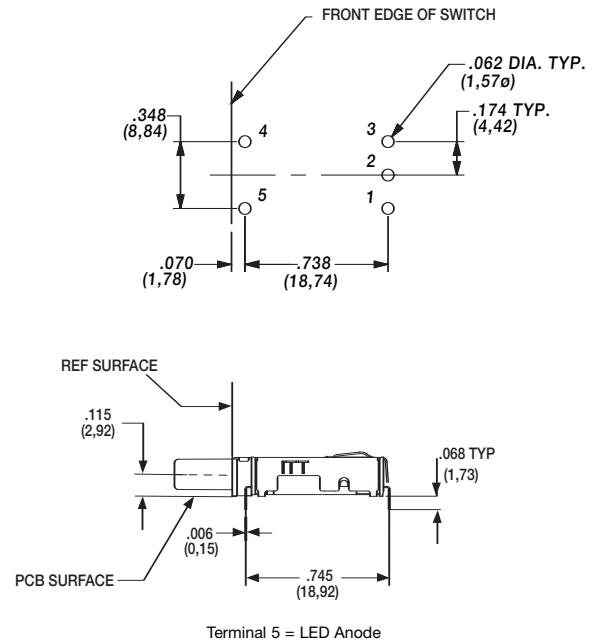
Dimensions are shown: Inches (mm)
Specifications and dimensions subject to change

C&K ELUM™ Series Right Angle Illuminated Latching Pushbutton

SA RIGHT ANGLE, SURFACE MOUNT



TH RIGHT ANGLE, PC THRU-HOLE



CONTACT MATERIAL

OPTION CODE	CONTACT MATERIAL	TERMINAL PLATING	RATINGS
Q	SILVER WITH GOLD FLASH	SILVER WITH GOLD FLASH	250 mA

FIXED CONTACTS AND TERMINALS: Stainless steel, silver plated with gold flash
 MOVABLE CONTACTS: Copper alloy, silver plated with gold flash

NOTE: Any models supplied with Q, B or G contact material are RoHS compliant.
 For the latest information regarding RoHS compliance, please go to: www.ittcannon.com/rohs.

ILLUMINATION

OPTION CODE	ILLUMINATION TYPE	TYPICAL INTENSITY*		PEAK WAVELENGTH	VIEWING ANGLE
		MIN	MAX		
		(mcd)		(nm)	
(NONE)	Model without illumination	N/A		N/A	N/A
1	LED Super White	4,000	5,000	N/A	30°
3	LED Red	4	8	700	60°
5	LED Amber	35	50	610	60°
6	LED Green	35	50	565	60°
7	LED Super Blue	800	1,500	470	22°
8	LED Bi-Color – Amber (Green)	10	10	585/565	60°
9	LED Bi-Color – Green (Red)	10	20	565/635	60°

*LED FORWARD CURRENT: 20 mA
 LED FORWARD VOLTAGE: 2.0 V TYP.
 LED REVERSE VOLTAGE: 5.0 V MAX

* For information on specific and custom LED, please contact Customer Service.



*Dimensions are shown: Inches (mm)
 Specifications and dimensions subject to change*



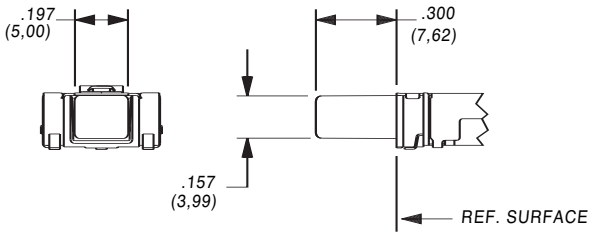
C&K ELUM™ Series Right Angle Illuminated Latching Pushbutton

ACTUATOR STYLE* 

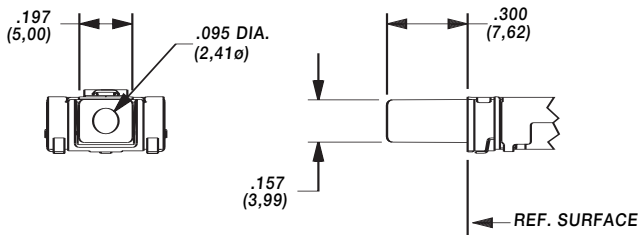
A

Pushbutton

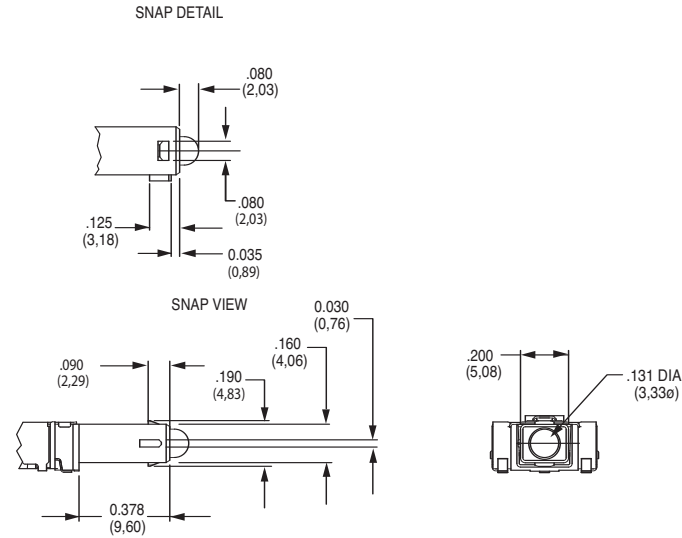
C02 BLACK WITHOUT WINDOW



C12 BLACK WITH WINDOW

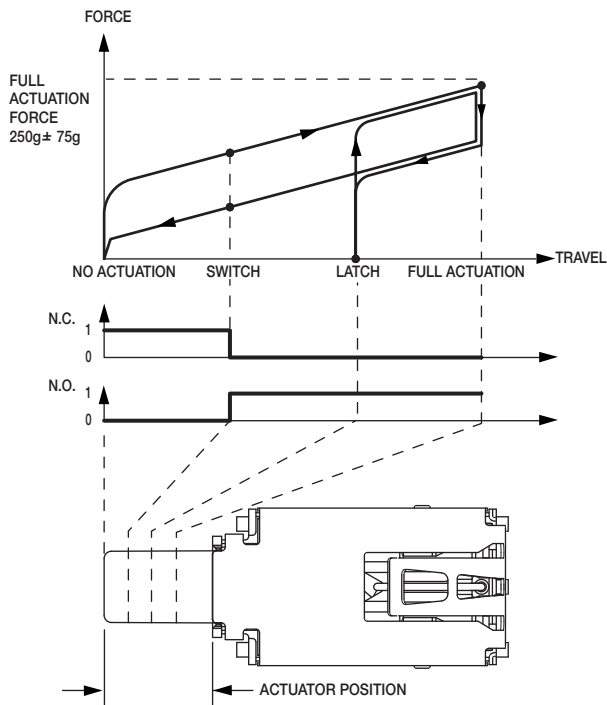


C22 BLACK WITH WINDOW AND SNAP FEATURE TO ACCEPT CUSTOM CAP



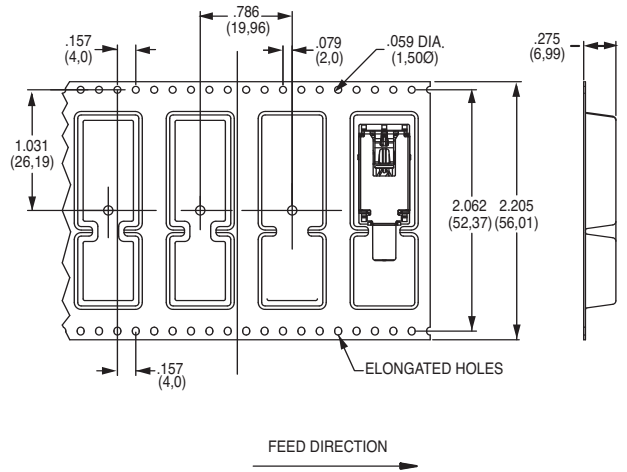
* Custom actuators available, please contact Customer Service.

FORCE TRAVEL DIAGRAM



	ACTUATOR POSITION	
NO ACTUATION	.300 ± .020	7,6 ± 0.5mm
SWITCH	.233 ± .020	5,9 ± 0.5mm
LATCH	.169 ± .020	4,3 ± 0.5mm
FULL ACTUATION	.100 ± .020	2,5 ± 0.5mm

TAPE & REEL



Dimensions are shown: Inches (mm)
Specifications and dimensions subject to change