
DELTRON *Components Limited*
**RING LOCK DIN CONNECTORS
STANDARD PLUG**
**PRODUCT
SPECIFICATION**

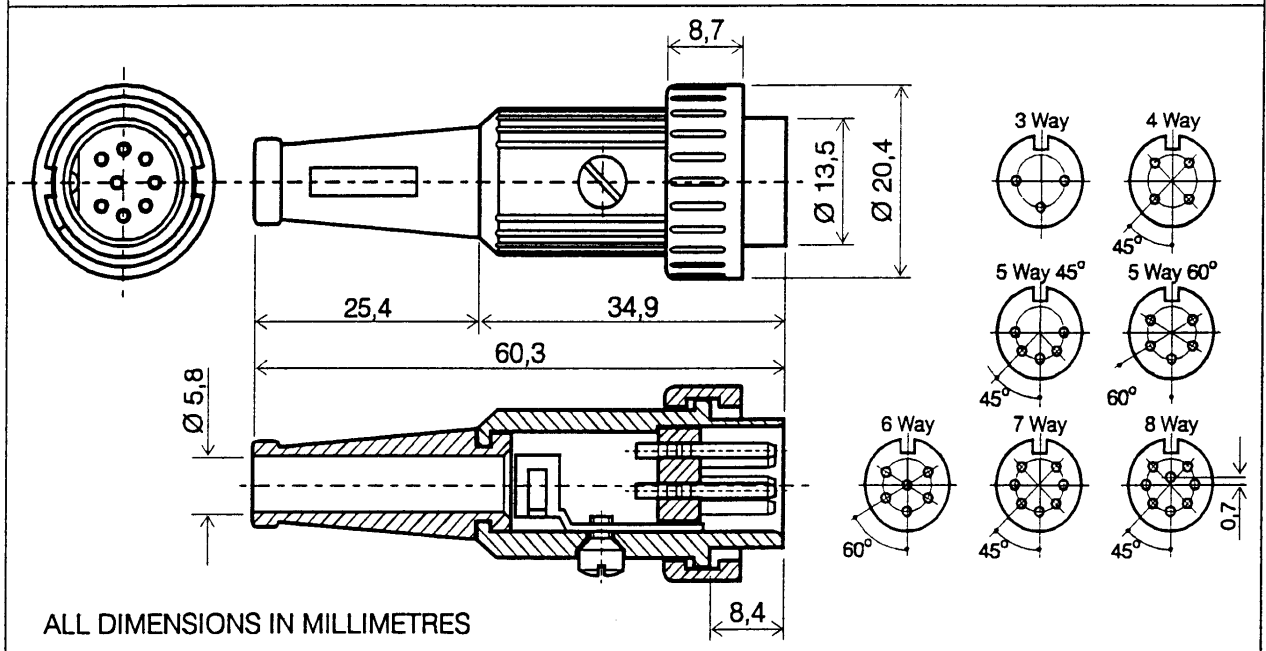
 Sheet No. **PS 0808**

Date : 06.10.95

Issue No. 1

Sheet 1 of 1

Signature

 Deltron Part No. **592 SERIES**
Dimensions

Description

A fully screened robust range of DIN connectors for use in instrumentation and audio applications. Available in bright nickel finish with an interchangeable black plastic locking ring. Five other colours are available (sold separately). A simple half turn of the ring secures the plug onto the mating panel socket (which can also be colour coded). Robust construction incorporating cable grip and strain relief. Manufactured to DIN 41524, 45322, 45326, 45327 and 45329.

TYPE	NUMBER
3 Way	592-0301
4 Way	592-0401
5 Way 45°	592-0501
5 Way 60°	592-0511
6 Way	592-0601
7 Way	592-0701
8 Way	592-0801

Features
MATERIALS

HOUSING	: Zinc Alloy bright nickel plate
MOULDING	: Nylon
LOCKING RING	: Polyester, black
CONTACTS	: Brass silver Plated
CABLE CLAMP	: Mild Steel zinc plated
GROMMET	: Black P.V.C.

ELECTRICAL RATINGS

Working Voltage	100 Vd.c. or a.c. peak
Test Voltage	1000 Vd.c.
Insulation Resist.	10 ¹¹ Ω min at 100 Vd.c.
Current Rating	4 A
Contact Resist.	10 mΩ max
Capacity (mated)	3 pF
Temp. Range	-25°C to +70°C