

PLEASE CHECK WWW.MOLEX.COM FOR LATEST PART INFORMATION

Part Number: [0532590929](#)
Status: **Active**
Description: 3.50mm (.138") Pitch Header, Right Angle, Lead-free, 9 Circuits, Brass (CuZn) Contact

Documents:

[3D Model](#) [Product Specification PS-51067-019 \(PDF\)](#)
[Drawing \(PDF\)](#) [RoHS Certificate of Compliance \(PDF\)](#)

Agency Certification

CSA LR19980
 UL E29179

General

Product Family PCB Headers
 Series [53259](#)
 Application Wire-to-Board
 Product Name N/A

Physical

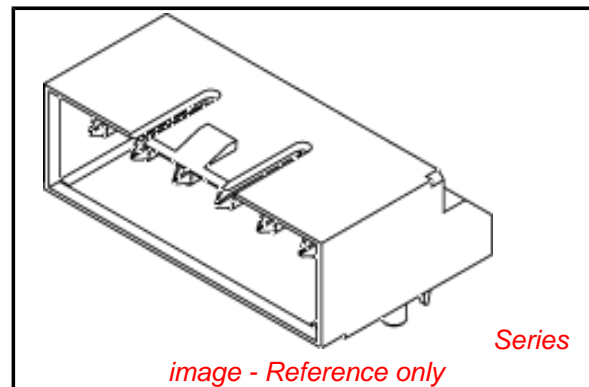
Breakaway No
 Circuits (Loaded) 9
 Circuits (maximum) 9
 Durability (mating cycles max) 30
 First Mate / Last Break No
 Flammability 94V-0
 Glow-Wire Compliant No
 Guide to Mating Part Yes
 Keying to Mating Part Yes
 Lock to Mating Part Yes
 Material - Metal Brass
 Material - Plating Mating Tin
 Material - Plating Termination Tin
 Number of Rows 1
 Orientation Right Angle
 PC Tail Length (in) 0.138 In
 PC Tail Length (mm) 3.50 mm
 PCB Locator Yes
 PCB Retention None
 PCB Thickness Recommended (in) 0.062 In
 PCB Thickness Recommended (mm) 1.60 mm
 Packaging Type Tray
 Pitch - Mating Interface (in) 0.138 In
 Pitch - Mating Interface (mm) 3.50 mm
 Polarized to PCB Yes
 Shrouded Fully
 Stackable No
 Temperature Range - Operating -40°C to +105°C
 Termination Interface: Style Through Hole

Electrical

Current - Maximum per Contact 5.5A
 Voltage - Maximum 250V

Material Info

Reference - Drawing Numbers



EU RoHS

ELV and RoHS Compliant
REACH SVHC
 Not Reviewed
Halogen-Free Status

China RoHS



Not Reviewed

Need more information on product environmental compliance?

Email productcompliance@molex.com
 For a multiple part number RoHS Certificate of Compliance, [click here](#)

Please visit the [Contact Us](#) section for any non-product compliance questions.

Search Parts in this Series

[53259Series](#)

Mates With

[51067](#) Crimp Housing. [50217](#) Crimp Terminal

Product Specification

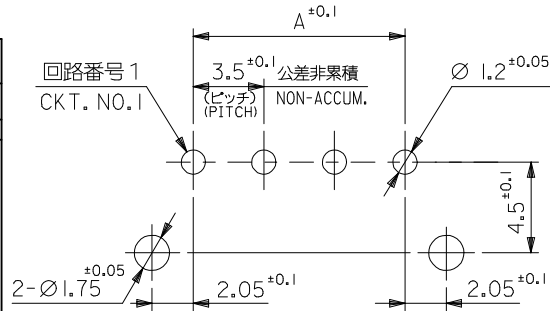
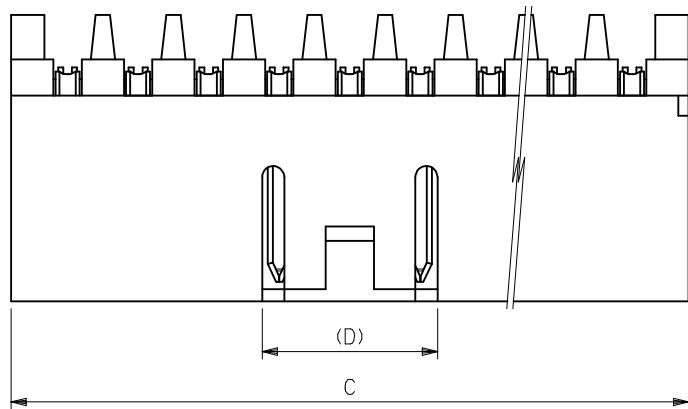
Sales Drawing

PS-51067-019, RPS-51067-019, RPS-51067-021,
RPS-51067-025, RPS-51067-037, RPS-51067-041
SD-53259-003

This document was generated on 04/06/2010

PLEASE CHECK WWW.MOLEX.COM FOR LATEST PART INFORMATION

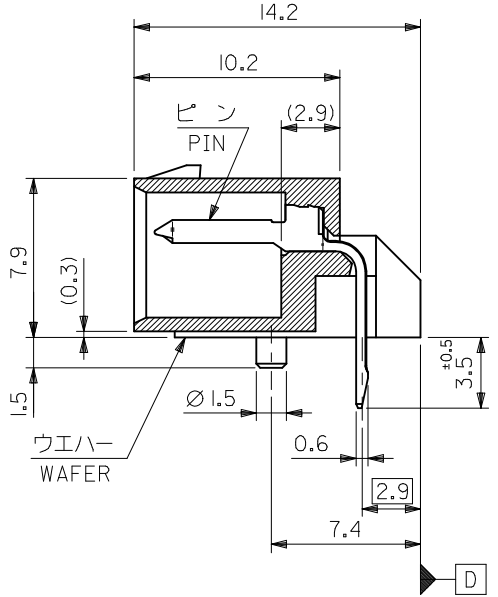
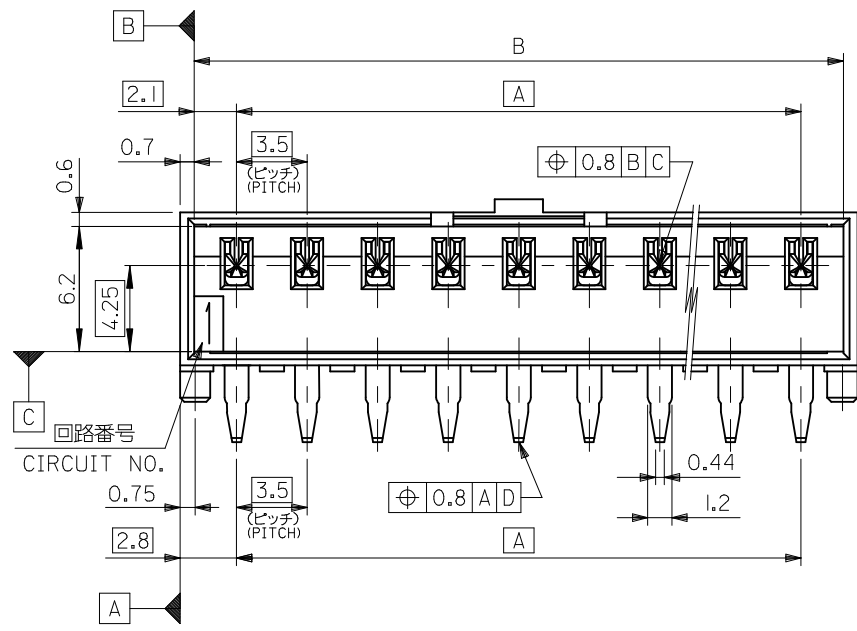
10 9 8 7 6 5 4 3 2 1



基板取付穴推奨寸法 (参考) (t = 1.6)
RECOMMENDED P.C. BOARD HOLE DIM. (REF.)

注記 NOTES

1. 嵌合相手 : 51067 シリーズ
MATE WITH : 51067 SERIES
2. 材質
MATERIAL
ウエハー : PBTP (ガラス15%入り) 、UL94V-0
WAFER : PBTP (G.F 15%) ,UL94V-0
ピン : 黄銅、ニッケル下地 鍍メッキ (t=0.254)
PIN : BRASS
TIN OVER NICKEL PLATING (t=0.254)
3. 本製品は 53259- **20 の鉛フリー品である。
THIS PRODUCT IS LEAD FREE OF 53259-**20.
4. メッキ仕様
TERMINAL PLATING
表面メッキ : スズメッキ 1μm MIN.
SURFACE PLATE : TIN 1μm MIN.
下地メッキ : ニッケルメッキ 1μm MIN.
UNDER PLATE : NICKEL 1μm MIN.



8.7	54.6	53.2	49.0	53259-1529	15
	51.1	49.7	45.5	-1429	14
	47.6	46.2	42.0	-1329	13
	44.1	42.7	38.5	-1229	12
	40.6	39.2	35.0	-1129	11
	37.1	35.7	31.5	-1029	10
	33.6	32.2	28.0	-0929	9
	30.1	28.7	24.5	-0829	8
	26.6	25.2	21.0	-0729	7
	23.1	21.7	17.5	-0629	6
	19.6	18.2	14.0	-0529	5
8.7	16.1	14.7	10.5	-0429	4
6.1	12.6	11.2	7.0	-0329	3
6.1	9.1	7.7	3.5	53259-0229	2
(D)	C	B	A	TRAY PACKAGE	CKT. 極数
				ORDER No. オータ-番号	

REVISED EC NO: J2010-0817 DRWN:SKUROSE 2009/10/22 CHKD:KASAKAWA 2009/10/22 APPR:NIKI ITA 2009/10/22	GENERAL TOLERANCES (UNLESS SPECIFIED)		DIMENSION STYLE MM ONLY		SCALE 4:1		DESIGN UNITS METRIC		MODEL NO. 53259-**29		
	10 UNDER ±0.2		DRAWN BY T.UENO DATE 2004/04/22		TITLE 3.5 W/B CONN		THIRD ANGLE PROJECTION		SHEET NO. 1 OF 1		
	10 OVER 30 UNDER ±0.25		CHECKED BY M.SASAO DATE 2004/04/22		W.A. R/A -LEAD FREE-		MOLEX INCORPORATED		DOCUMENT NO. SD-53259-003		
	30 OVER ±0.3		APPROVED BY M.SASAO DATE 2004/04/22		SEE TABLE		MOLEX INCORPORATED		SHEET NO. 1 OF 1		
MATERIAL 材料		注記参照 SEE NOTES		ANGULAR ±3 °		DRAFT WHERE APPLICABLE MUST REMAIN WITHIN DIMENSIONS		THIS DRAWING CONTAINS INFORMATION THAT IS PROPRIETARY TO MOLEX INCORPORATED AND SHOULD NOT BE USED WITHOUT WRITTEN PERMISSION		EN-02JA(021)	