

PLEASE CHECK WWW.MOLEX.COM FOR LATEST PART INFORMATION

Part Number: [0351550510](#)
Status: **Active**
Description: 2.50mm (.098") Pitch Wire-to-Board Housing, Positive Lock, Natural, 5 Circuits

Documents:

[3D Model](#) [Product Specification PS-35155-003 \(PDF\)](#)
[Drawing \(PDF\)](#) [RoHS Certificate of Compliance \(PDF\)](#)

Agency Certification

| | |
|-----|-----------|
| CSA | LR19980 |
| TUV | R72081037 |
| UL | E29179 |

General

| | |
|----------------|-----------------------|
| Product Family | Crimp Housings |
| Series | 35155 |
| Product Name | N/A |

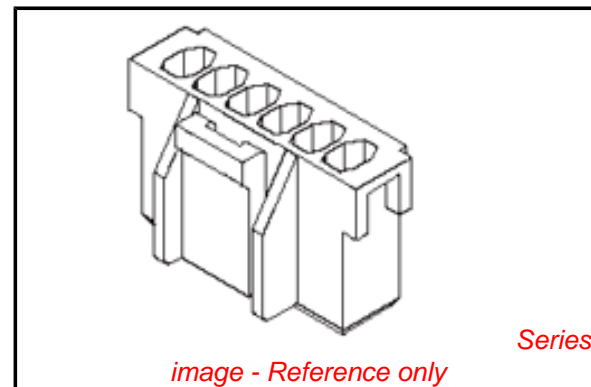
Physical

| | |
|-------------------------------|-----------------|
| Breakaway | No |
| Circuits (maximum) | 5 |
| Color - Resin | Natural |
| Flammability | 94V-0 |
| Gender | Female |
| Glow-Wire Compliant | No |
| Keying to Mating Part | None |
| Lock to Mating Part | Yes |
| Material - Resin | Polyester |
| Number of Rows | 1 |
| Packaging Type | Bag |
| Panel Mount | No |
| Pitch - Mating Interface (in) | 0.098 In |
| Pitch - Mating Interface (mm) | 2.50 mm |
| Polarized to Mating Part | Yes |
| Temperature Range - Operating | -40°C to +105°C |

Material Info

Reference - Drawing Numbers

| | |
|-----------------------|--------------|
| Product Specification | PS-35155-003 |
| Sales Drawing | SD-35155-001 |



EU RoHS

**ELV and RoHS
Compliant**
**REACH SVHC
Contains SVHC: No
Halogen-Free
Status**

China RoHS



**Need more information on product
environmental compliance?**

Email productcompliance@molex.com
For a multiple part number RoHS Certificate of
Compliance, [click here](#)

Please visit the [Contact Us](#) section for any
non-product compliance questions.

Search Parts in this Series

[35155Series](#)

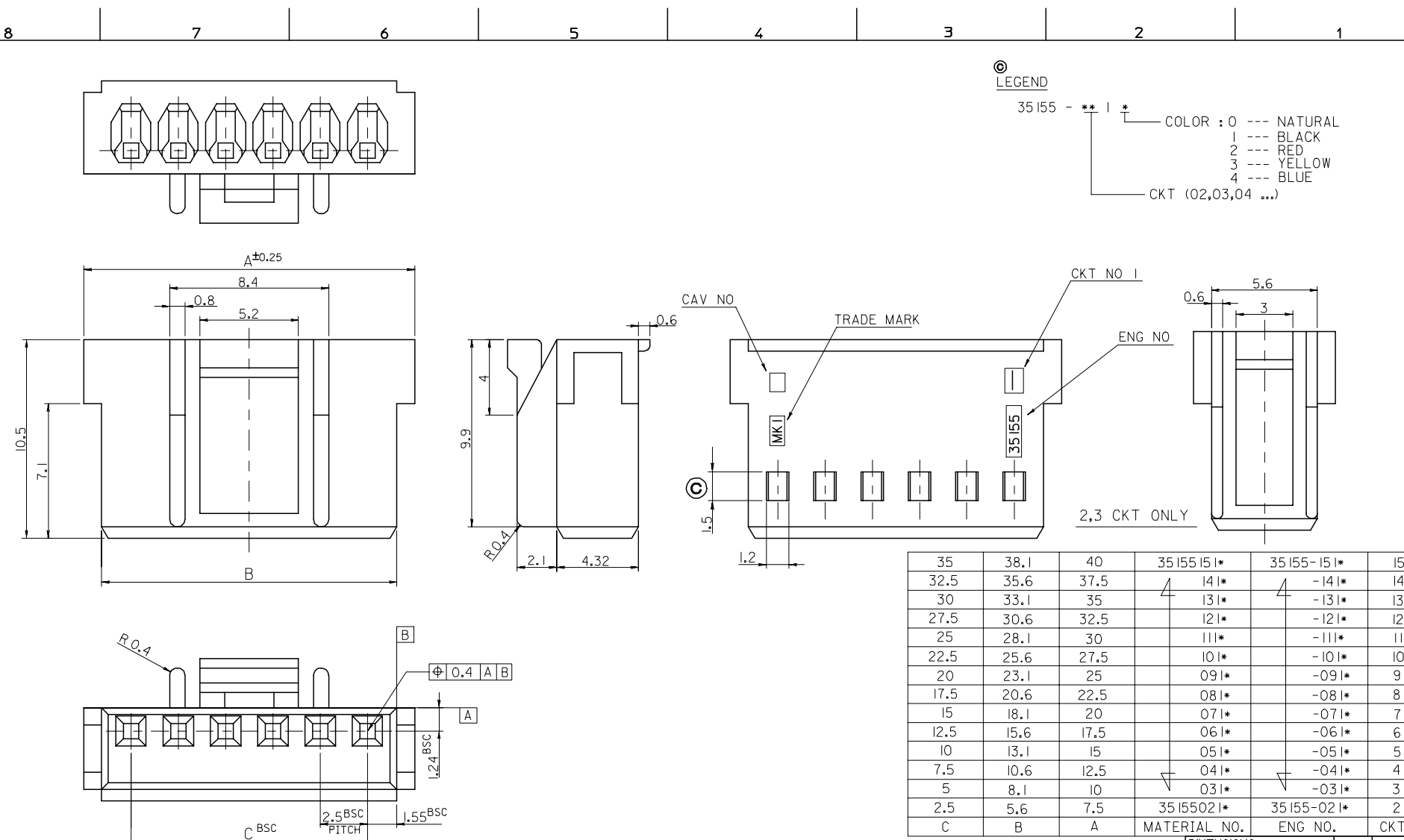
Mates With

[35312](#) Vertical Shrouded Header, [35184](#)
Wire-to-Wire Plug Housing

Use With

[5103](#) SPOX™ Crimp Terminal

DWG. NO. SD-35155-001
 PROJECT NO. 35155-***0*
 SIMILAR ITEM
 DO NOT SCALE DRAWING DIMENSION IN METRIC



| C | B | A | MATERIAL NO. | ENG NO. | CKT. |
|------|------|------|--------------|------------|------|
| 35 | 38.1 | 40 | 35155151* | 35155-151* | 15 |
| 32.5 | 35.6 | 37.5 | 141* | -141* | 14 |
| 30 | 33.1 | 35 | 131* | -131* | 13 |
| 27.5 | 30.6 | 32.5 | 121* | -121* | 12 |
| 25 | 28.1 | 30 | 111* | -111* | 11 |
| 22.5 | 25.6 | 27.5 | 101* | -101* | 10 |
| 20 | 23.1 | 25 | 091* | -091* | 9 |
| 17.5 | 20.6 | 22.5 | 081* | -081* | 8 |
| 15 | 18.1 | 20 | 071* | -071* | 7 |
| 12.5 | 15.6 | 17.5 | 061* | -061* | 6 |
| 10 | 13.1 | 15 | 051* | -051* | 5 |
| 7.5 | 10.6 | 12.5 | 041* | -041* | 4 |
| 5 | 8.1 | 10 | 031* | -031* | 3 |
| 2.5 | 5.6 | 7.5 | 35155021* | 35155-021* | 2 |
| C | B | A | MATERIAL NO. | ENG NO. | CKT. |

NOTE

- MATERIAL ; PBT UL 94V-0
- USED WITH TERMINAL : 5103-PBT9
- MATED WITH WAFER ASS'Y : 35312-****

| | | | | | | | | | | | | | | | | | | |
|--|---|---|--------------|--|--|--|------------|---|----------|-----|---|---------|------|---|----------------|--|--|---|
| Revised ECN NO. KOR2006-0105 DRWN: J.H.Lee 03/03/22 CHK: Y.SooKim 05/12/12 APPR: S.H.Chol | QUALITY SYMBOLS MAJOR CRITICAL | GENERAL TOLERANCES: (UNLESS SPECIFIED) | SCALE 5-1 | DESIGN UNITS <input checked="" type="checkbox"/> mm <input type="checkbox"/> INCH | THIRD ANGLE PROJECTION <input checked="" type="checkbox"/> THIRD ANGLE <input type="checkbox"/> FIRST ANGLE | DIMENSIONS: <input type="checkbox"/> mm <input type="checkbox"/> INCH <input checked="" type="checkbox"/> mm ONLY | SHT REV | | | | | | | | | | | |
| | DESCRIPTION C | <table border="1"> <tr> <td>4 PLACES</td> <td>±0.</td> <td>±</td> </tr> <tr> <td>3 PLACES</td> <td>±0.</td> <td>±</td> </tr> <tr> <td>2 PLACES</td> <td>±0.</td> <td>±</td> </tr> <tr> <td>1 PLACE</td> <td>±0.1</td> <td>±</td> </tr> </table> | 4 PLACES | ±0. | ± | 3 PLACES | ±0. | ± | 2 PLACES | ±0. | ± | 1 PLACE | ±0.1 | ± | ANGULAR: ± 1 ° | DRAWN BY & DATE K.S.Kim 04/08/10 | | TITLE: 2.5 PITCH W/B CONN. HOUSING (WITH LOCK) |
| 4 PLACES | ±0. | ± | | | | | | | | | | | | | | | | |
| 3 PLACES | ±0. | ± | | | | | | | | | | | | | | | | |
| 2 PLACES | ±0. | ± | | | | | | | | | | | | | | | | |
| 1 PLACE | ±0.1 | ± | | | | | | | | | | | | | | | | |
| REV | APPROVED BY & DATE C.W.Lee 04/08/26 | DRAFT WHERE APPLICABLE MUST REMAIN WITHIN DIMENSIONS | | CAD FILENAME SD-35155-001 | | MATERIAL NO. SEE TABLE | | | | | | | | | | | | |
| | | THIS DRAWING CONTAINS INFORMATION THAT IS PROPRIETARY TO MOLEX INCORPORATED AND SHOULD NOT BE USED WITHOUT WRITTEN PERMISSION. | | DRAWING NO. SD-35155-001 | | SHEET NO. 1/1 | | | | | | | | | | | | |
| | | | | KOREA | | SIZE B | | | | | | | | | | | | |

F
E
D
C
B
A
MX-A3