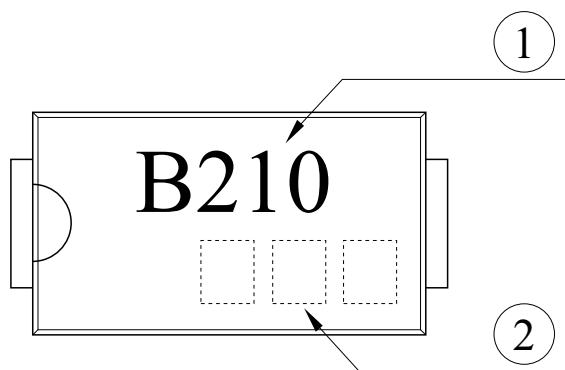


1. Marking method

Laser Marking

2. Marking



No.	Item	Marking	Description		
①	Type Name	B210	SMAB210		
②	Lot No.	216	2	Year	0~9 : 2000~2009
			16	Week	16 : 16th Week