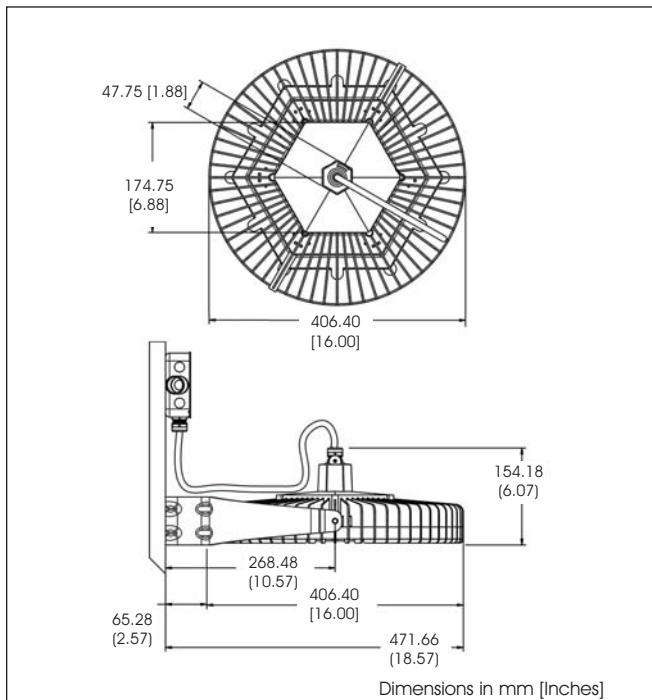




Patent Pending

## SafeSite™ Series LED High Bay Luminaire



### Certifications & Ratings:

- ▷ Ex II 2G D Ex d IIB T5 Gb
- ▷ Ex tb IIIC T100°C Db IP66
- ▷ Certificate numbers: IECEx BAS 10.0074X  
Baseefa 10ATEX0148X
- ▷ ATEX Zones 1 & 21 and 2 & 22
- ▷ CE - Compliant with EN 55015-2006 & EN 61547
- ▷ IP66 rated
- ▷ RoHS compliant

### Features & Benefits:

- ▷ Low power consumption
- ▷ Instant on/off operation
- ▷ Mercury free, lead free
- ▷ Resistant to shock and vibration
- ▷ Temperature compensation technology for longer life
- ▷ SWA Cable 3 core 1.5mm<sup>2</sup>CSA
- ▷ One man installation
- ▷ Direct equivalent to a 400 Watt HPS
- ▷ 60,000 hours at 80% lumen maintenance
- ▷ 5 Year Guarantee

The first of its kind, the Dialight SafeSite™ LED High Bay luminaire was designed specifically to replace conventional lighting in a wide variety of Hazardous Area applications, both indoor and outdoor. Its low profile light weight design and versatile mounting options make it ideal for High Bay and Flood Lighting applications for ATEX and IECEx classified Hazardous Area Zones.

All of Dialight's long life LED luminaires are designed to meet the most demanding specification criteria while offering maximum energy savings, reduced maintenance costs, and a superior quality of light.

### Mechanical Information:

<b>Fixture Weight:</b>	13.6 kg (30 lbs)
<b>Mounting:</b>	Stirrup Mounting Bracket included
<b>Fixing:</b>	Factory installed 3 meter SWA cable

### Electrical specifications:

<b>Operating Voltage:</b>	100-277VAC, 50/60 Hz
<b>Total System Power Consumption:</b>	165W Maximum 150W Typical
<b>Operating Temp:</b>	-40°C to +60°C
<b>Harmonics:</b>	IEC 61000-3-2
<b>Surge Protection:</b>	EN 61000-4-5 1 kV line to line, 2 kV line to ground
<b>THD:</b>	<5% (100VAC) <10% (230/240VAC) <12% (277VAC)
<b>Power Factor:</b>	> 0.9
<b>Construction:</b>	
<b>Body:</b>	Copper free aluminium
<b>Finish:</b>	Light grey powder coated (RAL7001)
<b>Lens:</b>	Toughened glass
<b>Photometric Information:</b>	
<b>CRI (typ):</b>	70
<b>CCT (typ):</b>	6000K (cool white)

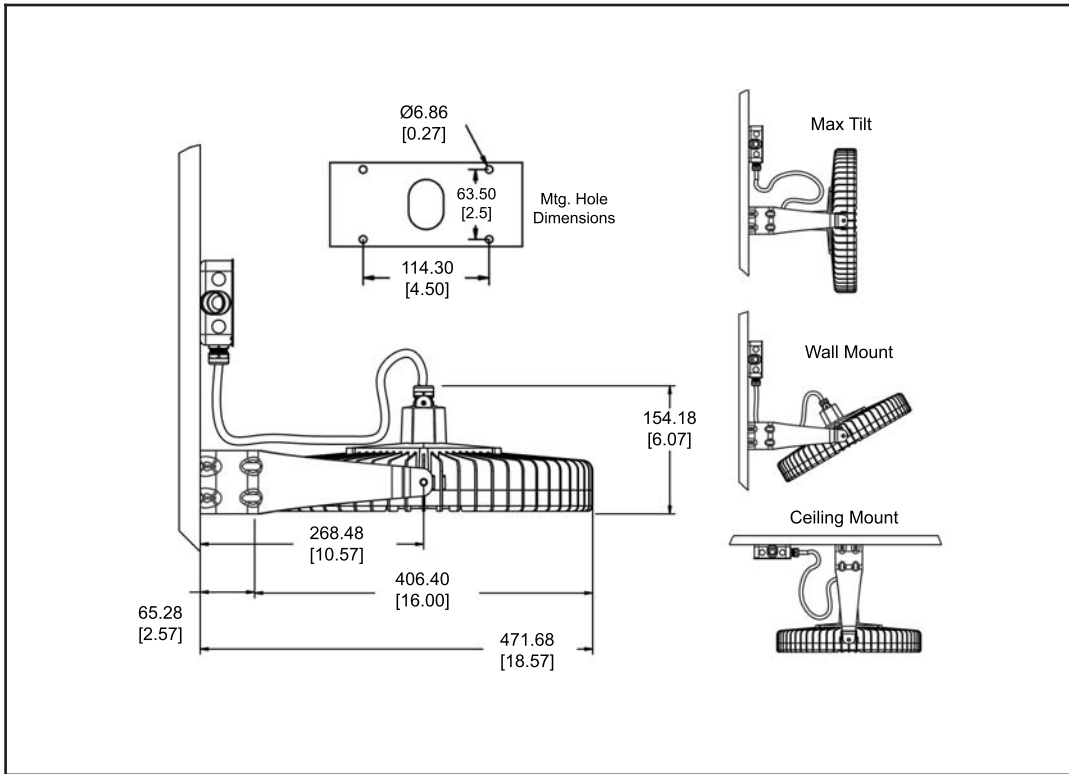


### Order Codes\*:

Part Number	Description	Optic	LED Color	Initial Total Lumens
HBA9C4M	Toughened GLASS	Narrow Circular	Cool White	9,500

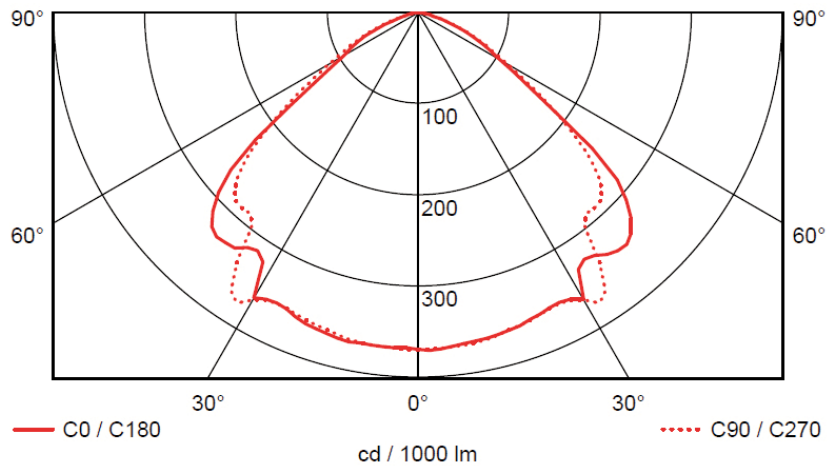
\*Stirrup Mounting Bracket included

## SafeSite™ High Bay Mounting and Orientation



## SafeSite™ Series LED High Bay Polar Diagrams

HBA9C4M



Dialight reserves the right to make changes at any time in order to supply the best product possible.

The most current version of this document will always be available at:

[www.dialight.com/Assets/Brochures\\_And\\_Catalogs/Illumination/MDTFSFSTHBEU001.pdf](http://www.dialight.com/Assets/Brochures_And_Catalogs/Illumination/MDTFSFSTHBEU001.pdf)

MDTFSFSTHBEU001\_A