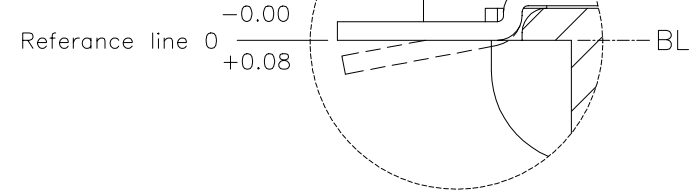
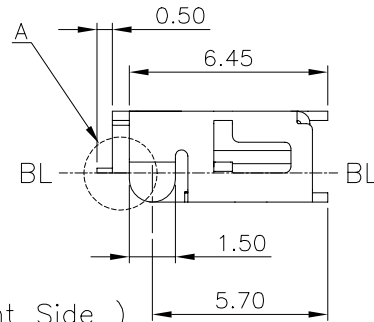
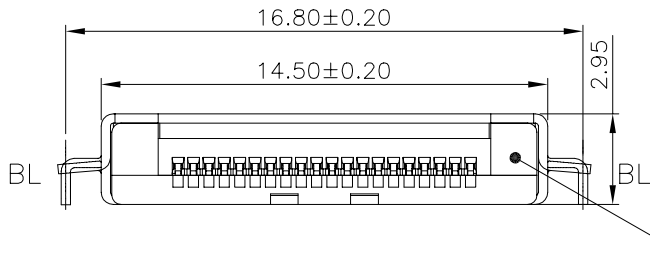
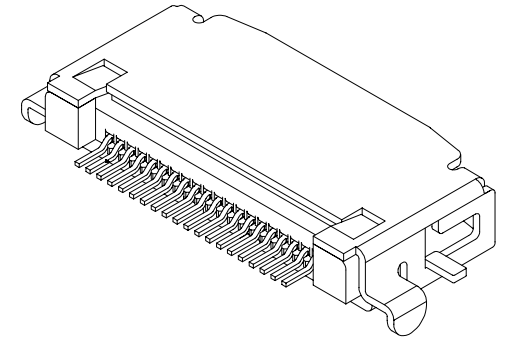


NOTE:  
500103MB020□□07ZR  
1

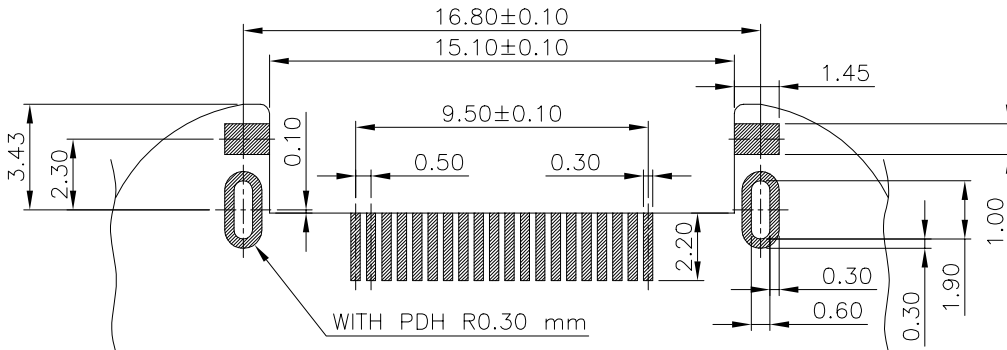
1. No. of pins.
2. Selective plating  
'G1,-5u" Min. gold in contact area/  
100u" Min. Tin in solder area.  
'G2,-Gold flash in contact area/  
100u" Min. Tin in solder area.  
'G3,-10u" Min. gold in contact area/  
100u" Min. Tin in solder area.  
'G4,-15u" Min. gold in contact area/  
100u" Min. Tin in solder area.  
'G5,-30u" Min. gold in contact area/  
100u" Min. Tin in solder area.  
'G6,-50u" Min. gold in contact area/  
100u" Min. Tin in solder area.



Recommended P.C.B. Layout ( Component Side )

(Coplanarity for All Solder Tail)

DETAIL A(16:1)



4				
3	SHELL	Pho.Bronze	—	Nickel Plated
2	TERMINAL	Pho.Bronze	—	Gold Plated
1	HOUSING	L.C.P	BLACK	UL94V-0
NO.	DESCRIPTION	MATERIAL	COLOR	REMARK

**SUYIN**  
CONNECTOR

CUSTOMER COPY TITLE:0.5 PITCH I/O CONN. (20 PIN)

PART NO. 500103MB020GX07ZR

PART NO. (OLD)

DRAWING NO. <sup>D</sup> <sub>ING</sub> 500103MB020GX07ZR

SCALE 4:1 UNIT mm A4

						Angle	±2°	DRAW		
						30 ~	±0.50	DESIGN		
						10 ~ 30	±0.30	CHECK		
						~ 10	±0.15	APPRO.		
ECN (DCN) NO.	REV	DATE	DESCRIPTION	CHANGE	APPRO.	GENERAL TOLERANCE UNLESS OTHERWISE NOTED				