

PLEASE CHECK WWW.MOLEX.COM FOR LATEST PART INFORMATION

Part Number: **0467200016**

Status: **Active**

Overview:

Description: 0.80 mm (.031") Pitch EdgeLine™ 12.5 Gbps Edge Card Connector, 108 Circuits, PCB Mating Thickness 1.57mm (.062")

General

Product Family	Edge Card Connectors
Series	76421
Component Type	Edgecard to PCB
Overview	edgeline_high_speed_connectors
Product Name	EdgeLine™

Physical

Circuits (Loaded)	108
Circuits (maximum)	108
Circuits Detail	All Signal
Color - Resin	Black
Durability (mating cycles max)	200
Entry Angle	Vertical
Keying to Mating Part	None
Material - Metal	Copper Alloy
Material - Plating Mating	Gold over Nickel
Material - Plating Termination	Tin
Material - Resin	High Temperature Thermoplastic
PC Tail Length (in)	0.091 In
PC Tail Length (mm)	2.30 mm
PCB Locator	Yes
PCB Retention	Yes
PCB Thickness Recommended (in)	0.062 In, 0.110 In
PCB Thickness Recommended (mm)	1.57 mm, 2.79 mm
Packaging Type	Tray
Panel Mount	No
Pitch - Mating Interface (in)	0.031 In
Pitch - Mating Interface (mm)	0.80 mm
Pitch - Term. Interface (in)	0.031 In
Pitch - Term. Interface (mm)	0.80 mm
Temperature Range - Operating	-40°C to +105°C
Termination Interface: Style	Through Hole

Electrical

Current - Maximum per Contact	1.5A
Voltage - Maximum	250V AC

Material Info

Reference - Drawing Numbers

Application Specification	AS-46720-001, AS-46720-002
Packaging Specification	PK-46720-001
Product Specification	PS-46720-001
Sales Drawing	SD-46720-0000, SD-46720-7710
Test Summary	TS-46720-001, TS-46720-002

EU RoHS

**ELV and RoHS
Compliant**

REACH SVHC

Contains SVHC: No

Halogen-Free

Status

Halogen-Free

China RoHS



**Need more information on product
environmental compliance?**

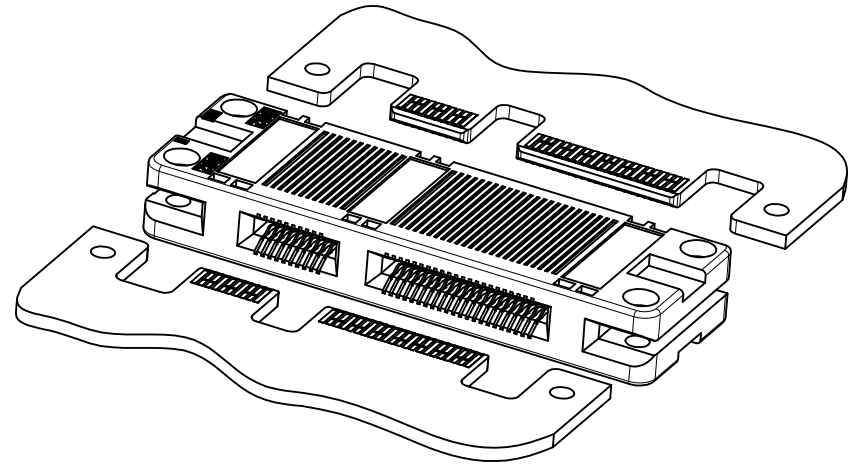
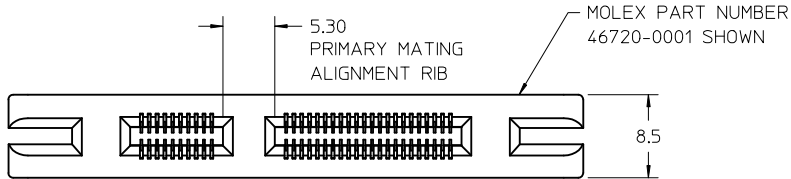
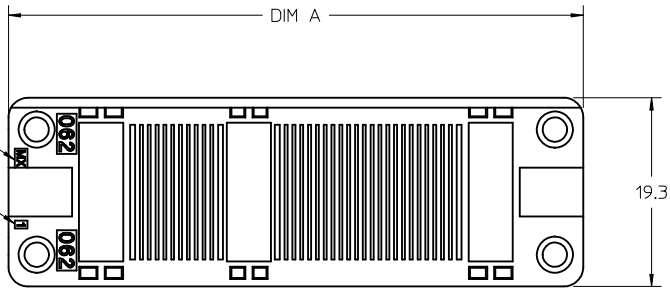
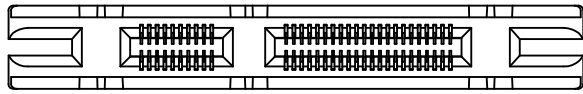
Email productcompliance@molex.com
For a multiple part number RoHS Certificate of
Compliance, [click here](#)

Please visit the [Contact Us](#) section for any
non-product compliance questions.

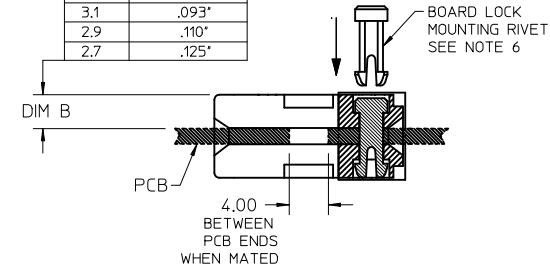
Search Parts in this Series

76421Series

10 9 8 7 6 5 4 3 2 1



DIM B	PCB THK (in)
3.5	.062"
3.1	.093"
2.9	.110"
2.7	.125"



NOTES:

- MATERIAL:
HOUSING: LCP, UL94V-0, BLACK
TERMINAL: BRASS
- FINISH: SELECT GOLD: 0.76µm MIN, OVERALL NICKEL: 3.80 µm MIN
- ALL DIMENSIONS ARE FOR REFERENCE ONLY UNLESS OTHERWISE SPECIFIED.
- PRODUCT SPECIFICATION: PS-46720-001
- PACKAGING SPECIFICATION: PK-46720-001
- SPLIT PAD LAYOUT SHOWN FOR REFERENCE ONLY. CUSTOMER CAN DESIGNATE GROUND AND SIGNAL PAD LAYOUT BASED ON INTERNAL REQUIREMENTS. CUSTOMER SHOULD SEE MOLEX DOCUMENT # AS-46720-002 FOR RECOMMENDATIONS.
- OPTIONAL BOARD LOCK MOUNTING RIVET AVAILABLE. MOLEX PART NUMBER 46720-7710. MOLEX RIVET REMOVAL TOOL NUMBER 638123502. SEE SD-46720-7710 FOR RIVET SALES DRAWING.

REPLACED SD-46720-001
 ECU NO: UCP2010-2317
 DRAWN: T GREGORI 2010/03/24
 CHKD: JCOMERCI 2010/04/12
 APPR: JCOMERCI 2010/04/12

QUALITY SYMBOLS	DESCRIPTION
▽=0	
▽=0	
▽=0	
▽=1	

GENERAL TOLERANCES (UNLESS SPECIFIED)	
mm	INCH
4 PLACES ± .005	± .0004
3 PLACES ± .005	± .0004
2 PLACES ± .005	± .0004
1 PLACE ± .005	± .0004
ANGULAR ± 1/2°	

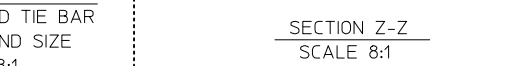
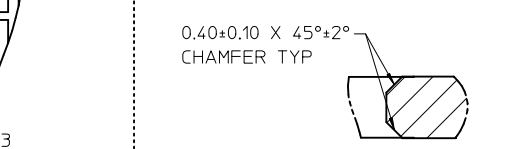
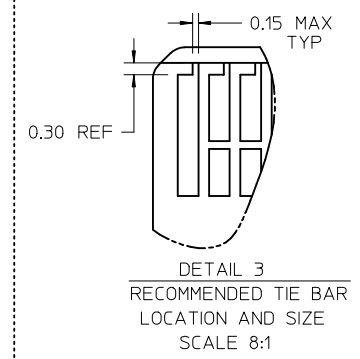
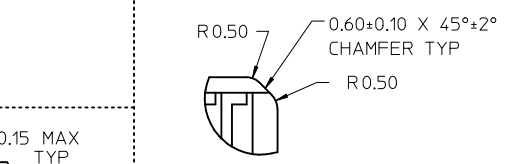
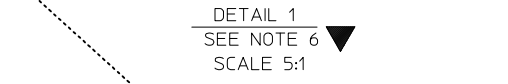
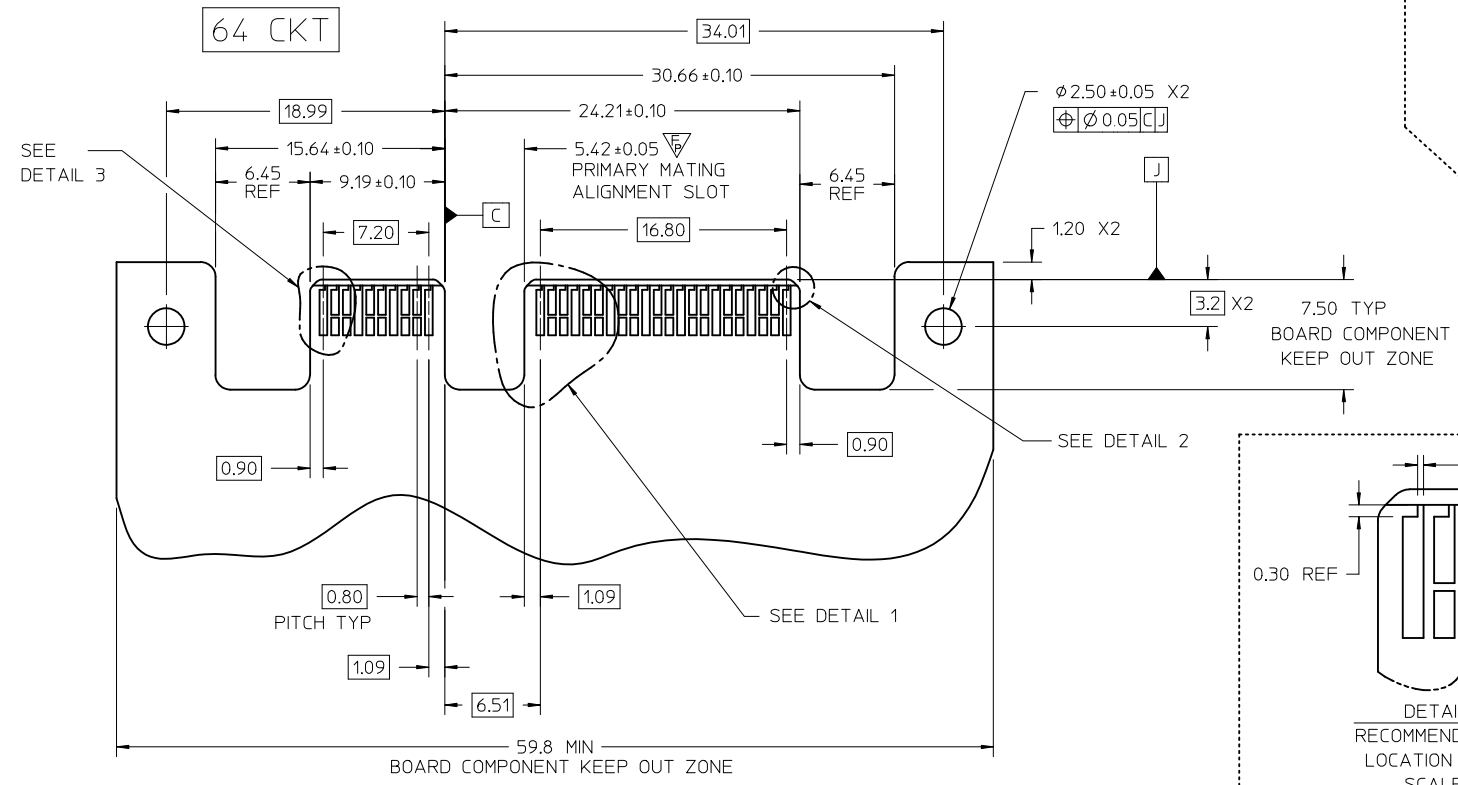
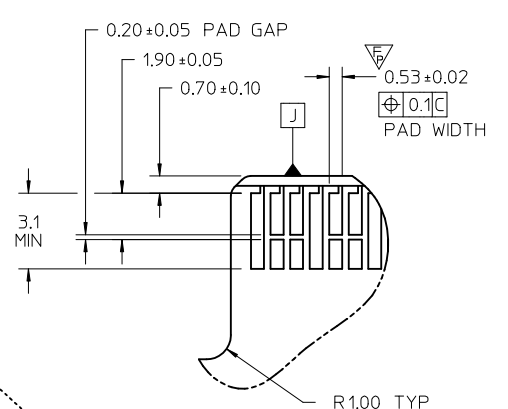
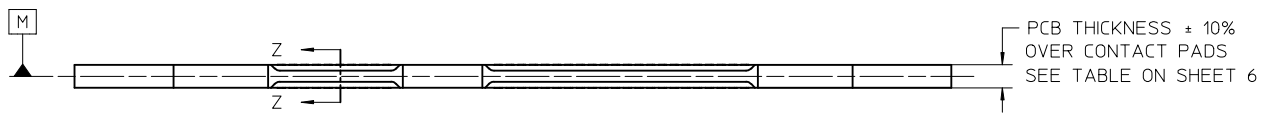
DRAFT WHERE APPLICABLE
MUST REMAIN WITHIN DIMENSIONS

DIMENSION STYLE	
MM ONLY	
DRAWN BY	DATE
T GREGORI	2010/03/24
CHECKED BY	DATE
JCOMERCI	2010/04/12
APPROVED BY	DATE
JCOMERCI	2010/04/12
MATERIAL NO.	
SEE SHEET 6	
SIZE	B

SCALE	DESIGN UNITS	THIRD ANGLE PROJECTION
2:1	METRIC	THIRD ANGLE PROJECTION
TITLE		
ASSEMBLY EDGE LINE COEDGE CONNECTOR, 100 OHM		
molex MOLEX INCORPORATED		
DOCUMENT NO.	SD-46720-0000	SHEET NO. 1 OF 6
THIS DRAWING CONTAINS INFORMATION THAT IS PROPRIETARY TO MOLEX INCORPORATED AND SHOULD NOT BE USED WITHOUT WRITTEN PERMISSION		

9 8 7 6 5 4 3 2 1

10 9 8 7 6 5 4 3 2 1



NOTE:
CONTACT MOLEX FOR CUSTOMER APPLICATIONS
WITH MULTIPLE CONNECTORS PER BOARD

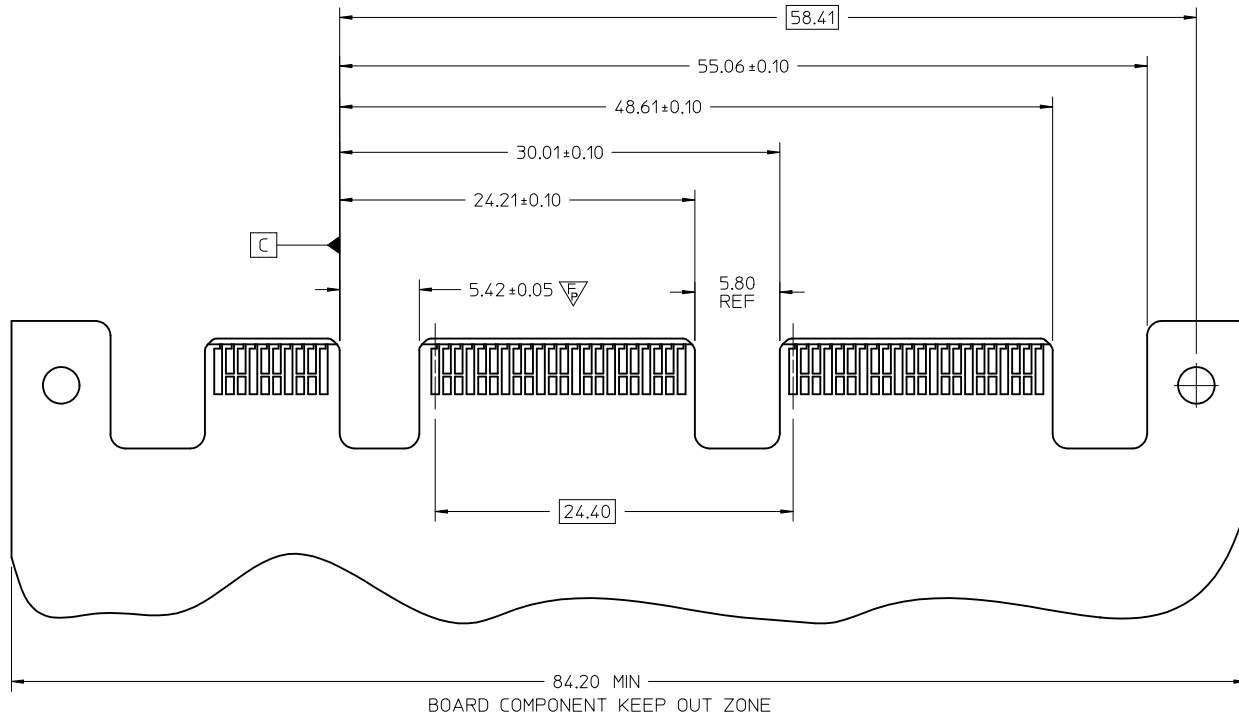
SEE SHEET 1 EC NO: UCP2010-2317 DRAWN: T.GREGORI CHKD: J.COMERCI APPR: J.COMERCI	2010/03/24 2010/04/12 2010/04/12	DESCRIPTION REV	QUALITY SYMBOLS	GENERAL TOLERANCES (UNLESS SPECIFIED)	DIMENSION STYLE	SCALE	DESIGN UNITS	THIRD ANGLE PROJECTION
			$\nabla=0$ $\nabla=0$ $\nabla=2$ $\blacktriangledown=2$	mm INCH 4 PLACES ± --- ± --- 3 PLACES ± --- ± --- 2 PLACES ± --- ± --- 1 PLACE ± --- ± --- ANGULAR ±1/2°	MM ONLY DRAWN BY T.GREGORI DATE 2010/03/24 CHECKED BY DATE APPROVED BY J.COMERCI DATE 2010/04/12 MATERIAL NO. SEE SHEET 6	3:1 TITLE ASSEMBLY EDGELINE COEDGE CONNECTOR, 100 OHM MOLEX INCORPORATED DOCUMENT NO. SD-46720-0000 SHEET NO. 2 OF 6	METRIC	THIS DRAWING CONTAINS INFORMATION THAT IS PROPRIETARY TO MOLEX INCORPORATED AND SHOULD NOT BE USED WITHOUT WRITTEN PERMISSION
			DRAFT WHERE APPLICABLE MUST REMAIN WITHIN DIMENSIONS	APPROVED BY J.COMERCI DATE 2010/04/12 MATERIAL NO. SEE SHEET 6	MOLEX	MOLEX INCORPORATED	METRIC	THIS DRAWING CONTAINS INFORMATION THAT IS PROPRIETARY TO MOLEX INCORPORATED AND SHOULD NOT BE USED WITHOUT WRITTEN PERMISSION
			DRAFT WHERE APPLICABLE MUST REMAIN WITHIN DIMENSIONS	APPROVED BY J.COMERCI DATE 2010/04/12 MATERIAL NO. SEE SHEET 6	MOLEX	MOLEX INCORPORATED	METRIC	THIS DRAWING CONTAINS INFORMATION THAT IS PROPRIETARY TO MOLEX INCORPORATED AND SHOULD NOT BE USED WITHOUT WRITTEN PERMISSION

9 8 7 6 5 4 3 2 1

10 9 8 7 6 5 4 3 2 1

108 CKT

ALL DIMENSIONS ARE THE SAME AS 64 CKT UNLESS OTHERWISE SPECIFIED



NOTE:
CONTACT MOLEX FOR CUSTOMER APPLICATIONS WITH MULTIPLE CONNECTORS PER BOARD

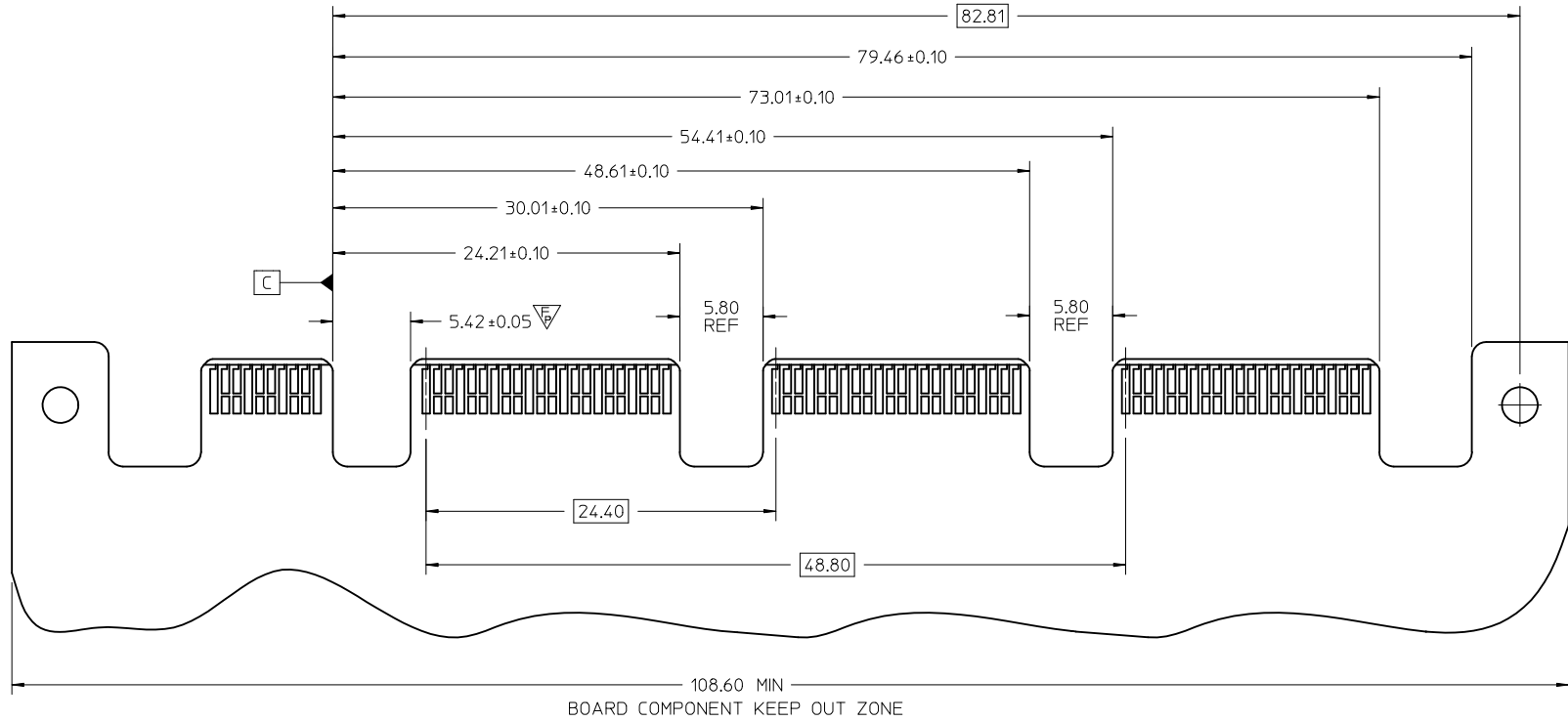
SEE SHEET 1 EC NO: UCP2010-2317 DRAWN: JGREGORI 2010/03/24 CHKD: JCOMERC I 2010/04/12 APPR: JCOMERC I 2010/04/12	QUALITY SYMBOLS	GENERAL TOLERANCES (UNLESS SPECIFIED)		DIMENSION STYLE MM ONLY		SCALE 3:1	DESIGN UNITS METRIC	THIRD ANGLE PROJECTION	
	▽=0	mm	INCH	DRAWN BY JGREGORI	DATE 2010/03/24	TITLE ASSEMBLY EDGELINE COEDGE CONNECTOR, 100 OHM			
	▽=0	4 PLACES ± ---	± ---	CHECKED BY	DATE	MOLEX MOLEX INCORPORATED			
	▽=1	3 PLACES ± ---	± ---	APPROVED BY JCOMERC I	DATE 2010/04/12	MATERIAL NO.	DOCUMENT NO. SD-46720-0000	SHEET NO. 3 OF 6	
▽=1	2 PLACES ± ---	± ---	DRAFT WHERE APPLICABLE MUST REMAIN WITHIN DIMENSIONS		SEE SHEET 6	THIS DRAWING CONTAINS INFORMATION THAT IS PROPRIETARY TO MOLEX INCORPORATED AND SHOULD NOT BE USED WITHOUT WRITTEN PERMISSION			
	1 PLACE ± ---	± ---			SIZE B				

9 8 7 6 5 4 3 2 1

10 9 8 7 6 5 4 3 2 1

152 CKT

ALL DIMENSIONS ARE THE SAME AS 64 CKT UNLESS OTHERWISE SPECIFIED



NOTE:
CONTACT MOLEX FOR CUSTOMER APPLICATIONS WITH MULTIPLE CONNECTORS PER BOARD

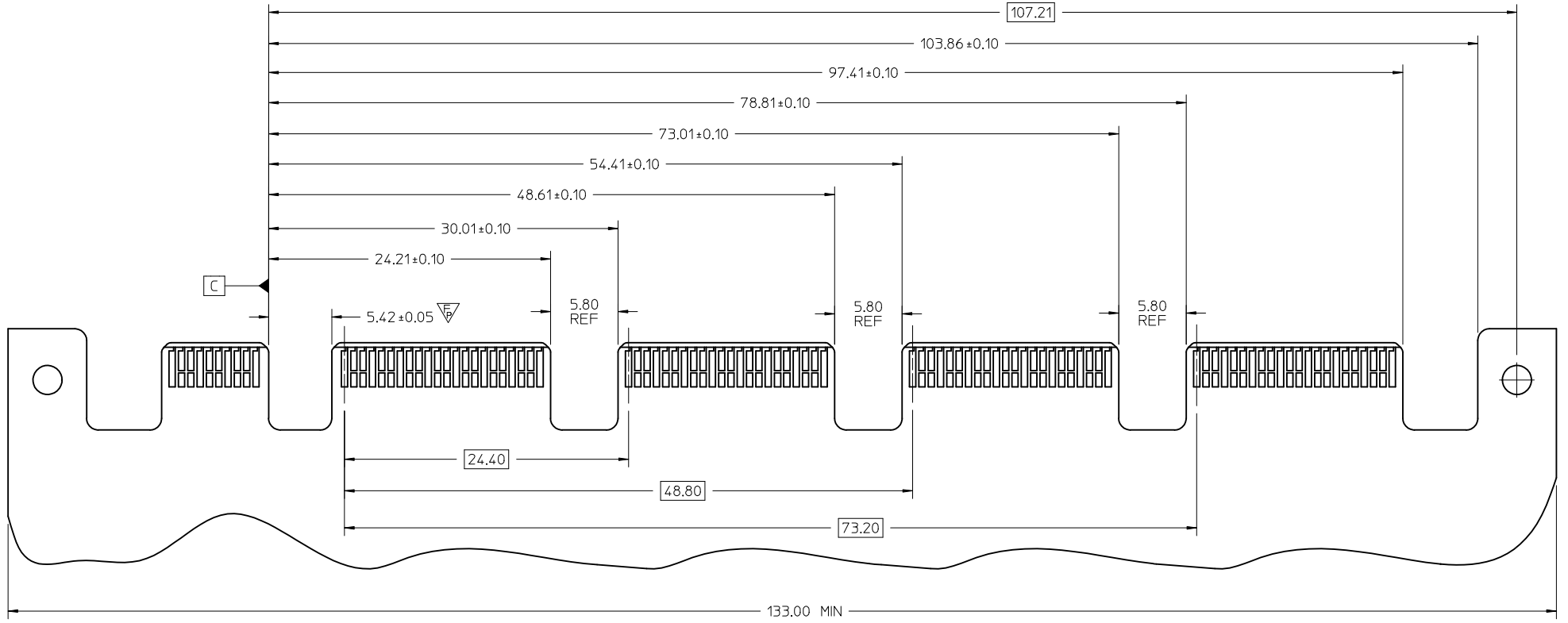
SEE SHEET 1 EC NO: UCP2010-2317 DRAWN: JGREGORI 2010/03/24 CHKD: JCOMERC I 2010/04/12 APPR: JCOMERC I 2010/04/12	QUALITY SYMBOLS	GENERAL TOLERANCES (UNLESS SPECIFIED)	DIMENSION STYLE	SCALE	DESIGN UNITS	THIRD ANGLE PROJECTION
	▽=0	mm INCH	MM ONLY	3:1	METRIC	
	▽=0	4 PLACES ± --- ± ---	DRAWN BY DATE	TITLE		
	▽=1	3 PLACES ± --- ± ---	JGREGORI 2010/03/24	ASSEMBLY		
▽=1	2 PLACES ± --- ± ---	CHECKED BY DATE	EDGE LINE COEDGE			
▽=1	1 PLACE ± --- ± ---	APPROVED BY DATE	CONNECTOR, 100 OHM			
	ANGULAR ±1/2°	JCOMERC I 2010/04/12	MOLEX INCORPORATED			
	DRAFT WHERE APPLICABLE MUST REMAIN WITHIN DIMENSIONS	MATERIAL NO.	DOCUMENT NO.	SHEET NO.		
		SEE SHEET 6	SD-46720-0000	4 OF 6		
		THIS DRAWING CONTAINS INFORMATION THAT IS PROPRIETARY TO MOLEX INCORPORATED AND SHOULD NOT BE USED WITHOUT WRITTEN PERMISSION				

9 8 7 6 5 4 3 2 1

10 9 8 7 6 5 4 3 2 1

196 CKT

ALL DIMENSIONS ARE THE SAME AS 64 CKT UNLESS OTHERWISE SPECIFIED



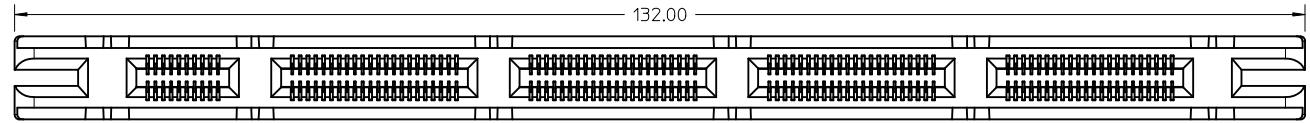
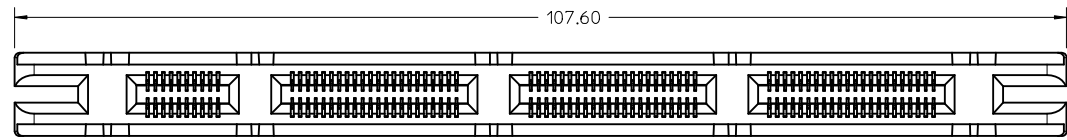
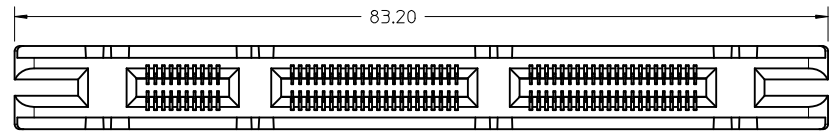
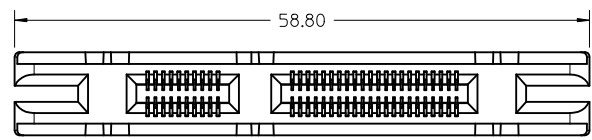
BOARD COMPONENT KEEP OUT ZONE

NOTE:
CONTACT MOLEX FOR CUSTOMER APPLICATIONS WITH MULTIPLE CONNECTORS PER BOARD

SEE SHEET 1 EC NO: UCP2010-2317 DRAWN: JGREGORI 2010/03/24 CHKD: JCOMERCI 2010/04/12 APPR: JCOMERCI 2010/04/12	QUALITY SYMBOLS	GENERAL TOLERANCES (UNLESS SPECIFIED)	DIMENSION STYLE	SCALE	DESIGN UNITS	THIRD ANGLE PROJECTION
	▽=0	mm INCH	MM ONLY	3:1	METRIC	
	▽=0	4 PLACES ± --- ± ---	DRAWN BY DATE	TITLE	ASSEMBLY EDGE LINE COEDGE CONNECTOR, 100 OHM	
	▽=1	3 PLACES ± --- ± ---	JGREGORI 2010/03/24		MOLEX INCORPORATED	
▽=1	2 PLACES ± --- ± ---	1 PLACE ± --- ± ---	CHECKED BY DATE		MATERIAL NO. DOCUMENT NO. SHEET NO.	
▽=1	ANGULAR ±1/2°	DRAFT WHERE APPLICABLE MUST REMAIN WITHIN DIMENSIONS	JCOMERCI 2010/04/12	SEE SHEET 6	SD-46720-0000	5 OF 6
					THIS DRAWING CONTAINS INFORMATION THAT IS PROPRIETARY TO MOLEX INCORPORATED AND SHOULD NOT BE USED WITHOUT WRITTEN PERMISSION	

9 8 7 6 5 4 3 2 1

PART NUMBER	CIRCUIT SIZE	PCB A THK (in)	PCB B THK (in)	DIM A
46720 0001	64	.062	.062	58.8
46720 0002	64	.093	.093	58.8
46720 0003	64	.110	.110	58.8
46720 0004	64	.125	.125	58.8
46720 0005	64	.062	.093	58.8
46720 0006	64	.062	.110	58.8
46720 0007	64	.062	.125	58.8
46720 0008	64	.093	.110	58.8
46720 0009	64	.093	.125	58.8
46720 0010	64	.110	.125	58.8
46720 0011	108	.062	.062	83.2
46720 0012	108	.093	.093	83.2
46720 0013	108	.110	.110	83.2
46720 0014	108	.125	.125	83.2
46720 0015	108	.062	.093	83.2
46720 0016	108	.062	.110	83.2
46720 0017	108	.062	.125	83.2
46720 0018	108	.093	.110	83.2
46720 0019	108	.093	.125	83.2
46720 0020	108	.110	.125	83.2
46720 0021	152	.062	.062	107.6
46720 0022	152	.093	.093	107.6
46720 0023	152	.110	.110	107.6
46720 0024	152	.125	.125	107.6
46720 0025	152	.062	.093	107.6
46720 0026	152	.062	.110	107.6
46720 0027	152	.062	.125	107.6
46720 0028	152	.093	.110	107.6
46720 0029	152	.093	.125	107.6
46720 0030	152	.110	.125	107.6
46720 0031	196	.062	.062	132
46720 0032	196	.093	.093	132
46720 0033	196	.110	.110	132
46720 0034	196	.125	.125	132
46720 0035	196	.062	.093	132
46720 0036	196	.062	.110	132
46720 0037	196	.062	.125	132
46720 0038	196	.093	.110	132
46720 0039	196	.093	.125	132
46720 0040	196	.110	.125	132



BOARD THICKNESS (IN)

SEE SHEET 1
 EC NO: UCP2010-2317
 DRAWN: JGREGORI 2010/03/24
 CHKD: JCOMERCI 2010/04/12
 APPR: JCOMERCI 2010/04/12

QUALITY SYMBOLS
 ▽=0
 ▽=0
 ▽=0

GENERAL TOLERANCES (UNLESS SPECIFIED)

	mm	INCH
4 PLACES	± .005	± .0002
3 PLACES	± .005	± .0002
2 PLACES	± .005	± .0002
1 PLACE	± .005	± .0002

ANGULAR ±1/2°

DRAFT WHERE APPLICABLE
 MUST REMAIN WITHIN DIMENSIONS

DIMENSION STYLE
MM ONLY

DRAWN BY: JGREGORI DATE: 2010/03/24
 CHECKED BY: DATE:

APPROVED BY: JCOMERCI DATE: 2010/04/12

MATERIAL NO. SEE TABLE

SCALE: 2:1
 DESIGN UNITS: METRIC
 THIRD ANGLE PROJECTION

ASSEMBLY
 EDGELINE COEDGE
 CONNECTOR, 100 OHM

molex MOLEX INCORPORATED

DOCUMENT NO. SD-46720-0000 SHEET NO. 6 OF 6

THIS DRAWING CONTAINS INFORMATION THAT IS PROPRIETARY TO MOLEX INCORPORATED AND SHOULD NOT BE USED WITHOUT WRITTEN PERMISSION

6

5

4

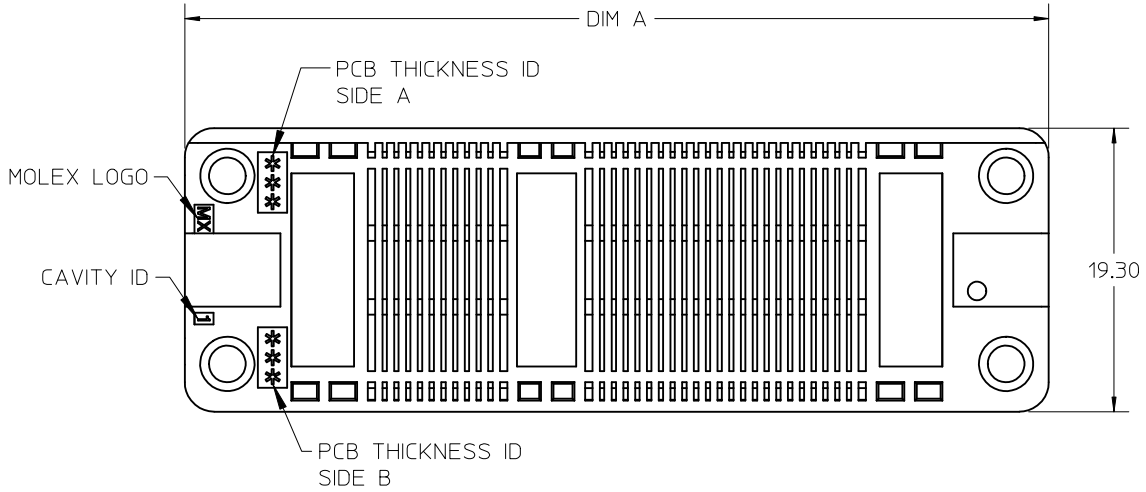
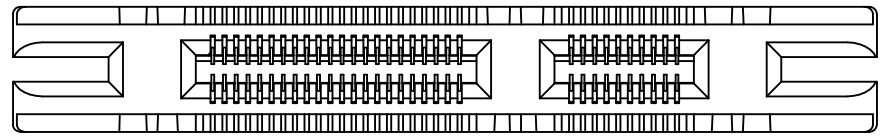
3

2

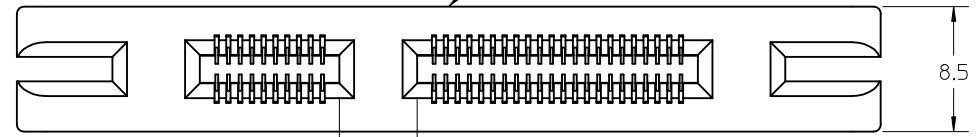
1

NOTES:

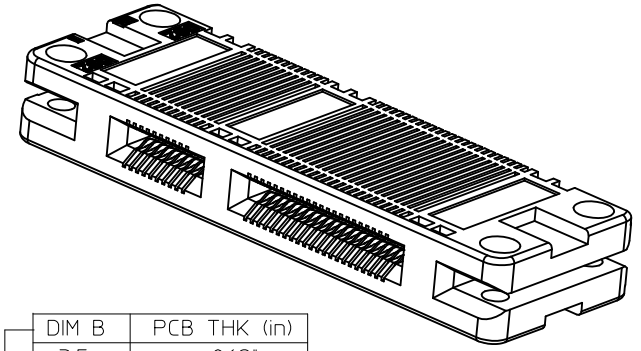
- 1. MATERIAL: LCP, UL94V-0, BLACK
TERMINAL: BRASS
- 2. FINISH: SELECT GOLD: 0.76 μm MIN
OVERALL NICKEL: 3.80 μm MIN
- 3. ALL DIMENSIONS ARE FOR REFERENCE ONLY
UNLESS OTHERWISE SPECIFIED
- 4. PRODUCT SPECIFICATION: TBD
- 5. PACKAGING SPECIFICATION: PK-46720-001
- 6. OPTIONAL BOARD LOCK MOUNTING RIVET
AVAILABLE. MOLEX PART NUMBER 46720-7710.
MOLEX REMOVAL TOOL NUMBER 638133502.
SEE SD-46720-771 FOR RIVET SALES DRAWING.



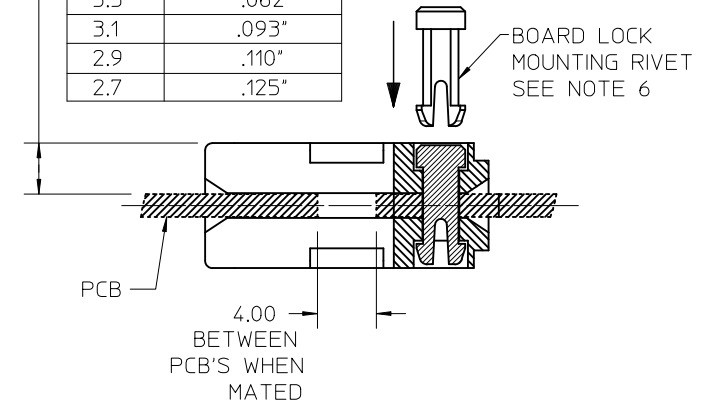
MOLEX PART NUMBER 46720-0001 SHOWN



5.30 REF
PRIMARY MATING
ALIGNMENT RIB



DIM B	PCB THK (in)
3.5	.062"
3.1	.093"
2.9	.110"
2.7	.125"



REVISED	EC NO: UCP2010-0764	2009/11/17
	DRWN: TREGORI	2009/11/17
	CHKD:	
	APPR: JCOMERCI	2009/11/18
	REV	DESCRIPTION

QUALITY SYMBOLS

GENERAL TOLERANCES (UNLESS SPECIFIED)		
	mm	INCH
4 PLACES	± .005	± .0004
3 PLACES	± .008	± .0003
2 PLACES	± .010	± .0002
1 PLACE	± .015	± .0001
ANGULAR ±1/2°		
DRAFT WHERE APPLICABLE MUST REMAIN WITHIN DIMENSIONS		

DIMENSION STYLE MM ONLY	
DRAWN BY	DATE
TGREGORI	2008/05/02
CHECKED BY	DATE
JCOMERCI	
APPROVED BY	DATE
JCOMERCI	2009/11/17
MATERIAL NO.	
SEE SHEET 6	
SIZE	
A	

SCALE	DESIGN UNITS	THIRD ANGLE PROJECTION
2:1	METRIC	THIRD ANGLE PROJECTION
EDGELINE 12.5 GBPS COEDGE CONN.		
MOLEX MOLEX INCORPORATED		
MATERIAL NO.	DOCUMENT NO.	SHEET NO.
	SD-46720-001	1 OF 6

6

5

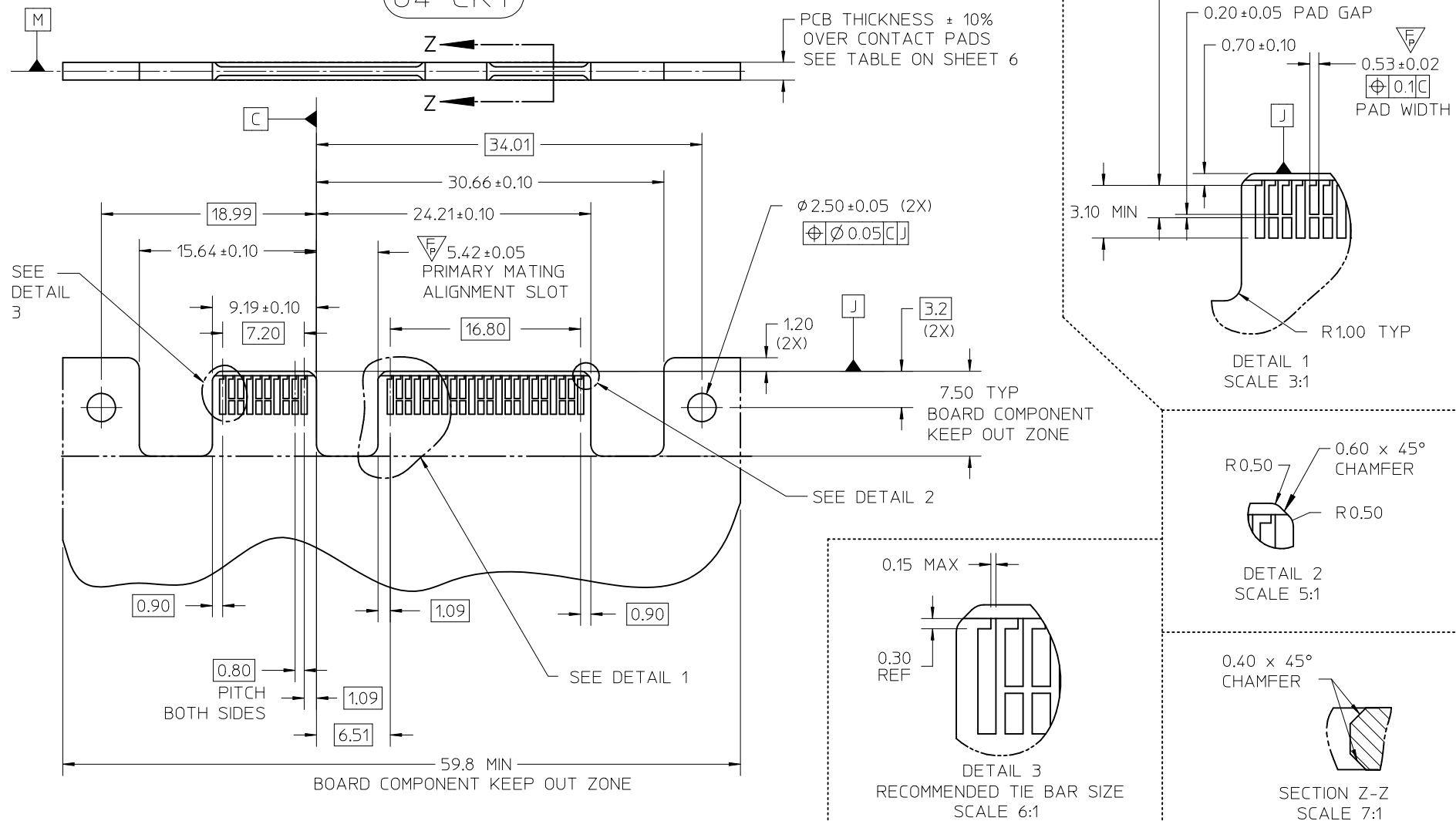
4

3

2

1

64 CKT



NOTE:
 CONTACT MOLEX FOR CUSTOMER APPLICATIONS WITH MULTIPLE CONNECTORS PER BOARD

SEE SHEET 1	DESCRIPTION
EC NO: UCP2010-0764	2009/11/17
DRWN: T.GREGORI	2009/11/17
CHKD: JCOMERCI	2009/11/18
APPR: JCOMERCI	
REV	

QUALITY SYMBOLS	GENERAL TOLERANCES (UNLESS SPECIFIED)
$F_P = 1$	
$\nabla = 1$	
	mm INCH
4 PLACES	± --- ± ---
3 PLACES	± --- ± ---
2 PLACES	± --- ± ---
1 PLACE	± --- ± ---
	ANGULAR ±1/2°
DRAFT WHERE APPLICABLE MUST REMAIN WITHIN DIMENSIONS	

DIMENSION STYLE		SCALE	DESIGN UNITS	THIRD ANGLE PROJECTION
MM ONLY		2:1	METRIC	
DRAWN BY	DATE	TITLE		
T.GREGORI	2008/05/02	EDGELINE 12.5 GBPS COEDGE CONN.		
CHECKED BY	DATE	MOLEX MOLEX INCORPORATED		
JCOMERCI				
APPROVED BY	DATE	DOCUMENT NO.		
JCOMERCI	2009/11/17	SD-46720-001		
MATERIAL NO.		SHEET NO.		
		2 OF 6		
SIZE	THIS DRAWING CONTAINS INFORMATION THAT IS PROPRIETARY TO MOLEX INCORPORATED AND SHOULD NOT BE USED WITHOUT WRITTEN PERMISSION			
A	SEE TABLE			

5

4

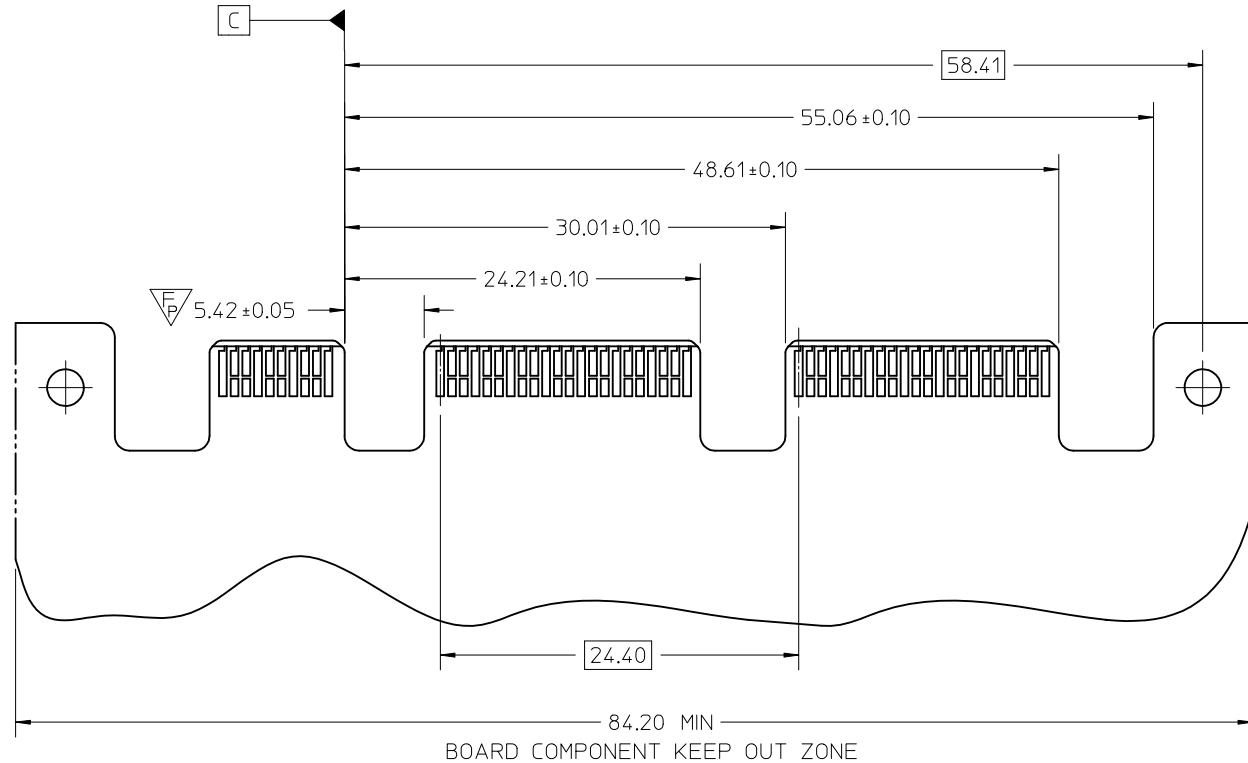
3

2

1

108 CKT

ALL DIMENSIONS ARE SAME AS 64 CKT UNLESS OTHERWISE SPECIFIED BELOW



NOTE:
CONTACT MOLEX FOR CUSTOMER APPLICATIONS WITH MULTIPLE CONNECTORS PER BOARD

SEE SHEET 1 EC NO: UCP2010-0764 DRWN: TGREGORI CHKD: JCOMERCI APPR: JCOMERCI	QUALITY SYMBOLS $F/P = 1$ $\nabla = 1$	GENERAL TOLERANCES (UNLESS SPECIFIED)		DIMENSION STYLE MM ONLY		SCALE 2:1	DESIGN UNITS METRIC	THIRD ANGLE PROJECTION	
			mm	INCH	DRAWN BY TGREGORI	DATE 2008/05/02	TITLE EDGELINE 12.5 GBPS COEDGE CONN.		
		4 PLACES	± ---	± ---	CHECKED BY JCOMERCI	DATE			
		3 PLACES	± ---	± ---	APPROVED BY JCOMERCI	DATE 2009/11/17			
			ANGULAR ±1/2°		MATERIAL NO.		DOCUMENT NO.		
		DRAFT WHERE APPLICABLE MUST REMAIN WITHIN DIMENSIONS		SEE TABLE		MOLEX INCORPORATED		SHEET NO. 3 OF 6	
				THIS DRAWING CONTAINS INFORMATION THAT IS PROPRIETARY TO MOLEX INCORPORATED AND SHOULD NOT BE USED WITHOUT WRITTEN PERMISSION					

6

5

4

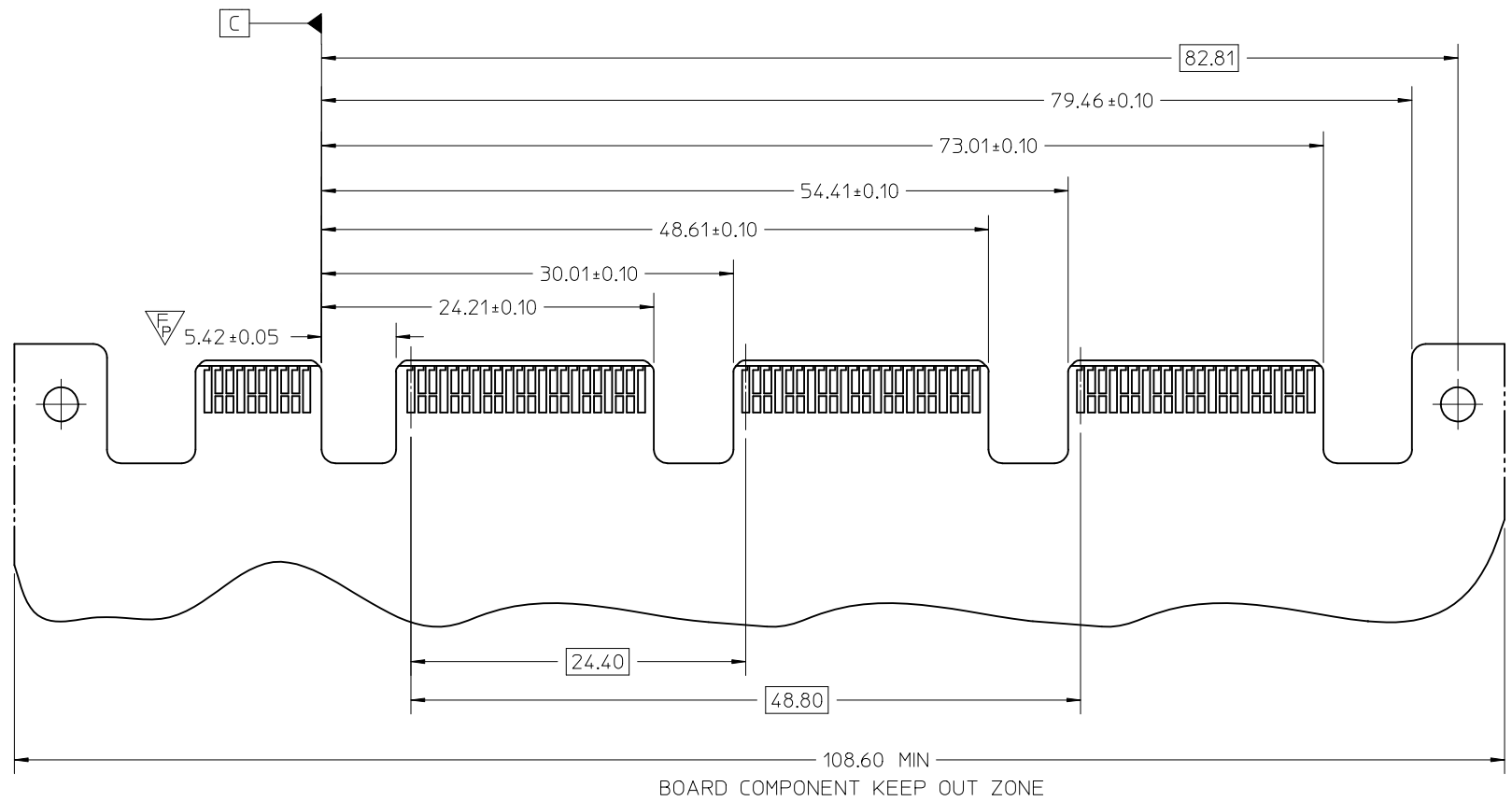
3

2

1

152 CKT

ALL DIMENSIONS ARE SAME AS 64 CKT UNLESS OTHERWISE SPECIFIED BELOW



NOTE:-
CONTACT MOLEX FOR CUSTOMER APPLICATIONS WITH MULTIPLE CONNECTORS PER BOARD

SEE SHEET 1 EC NO: UCP2010-0764 DRWN: TGREGORI CH'KD: 2009/11/17 APPR: JCOMERCI 2009/11/18	QUALITY SYMBOLS ▽ = 1 ▽ = 1	GENERAL TOLERANCES (UNLESS SPECIFIED)		DIMENSION STYLE MM ONLY		SCALE 2:1	DESIGN UNITS METRIC	THIRD ANGLE PROJECTION	
		4 PLACES ± --- ± --- 3 PLACES ± --- ± --- 2 PLACES ± --- ± --- 1 PLACE ± --- ± ---	mm INCH	DRAWN BY TGREGORI	DATE 2008/05/02	TITLE EDGE LINE 12.5 GBPS COEDGE CONN.			
		ANGULAR ± 1/2°	DRAFT WHERE APPLICABLE MUST REMAIN WITHIN DIMENSIONS	CHECKED BY JCOMERCI	DATE 2009/11/17	molex MOLEX INCORPORATED			
	REV B	DESCRIPTION	SEE TABLE	MATERIAL NO.	DOCUMENT NO. SD-46720-001	SHEET NO. 4 OF 6			

5

4

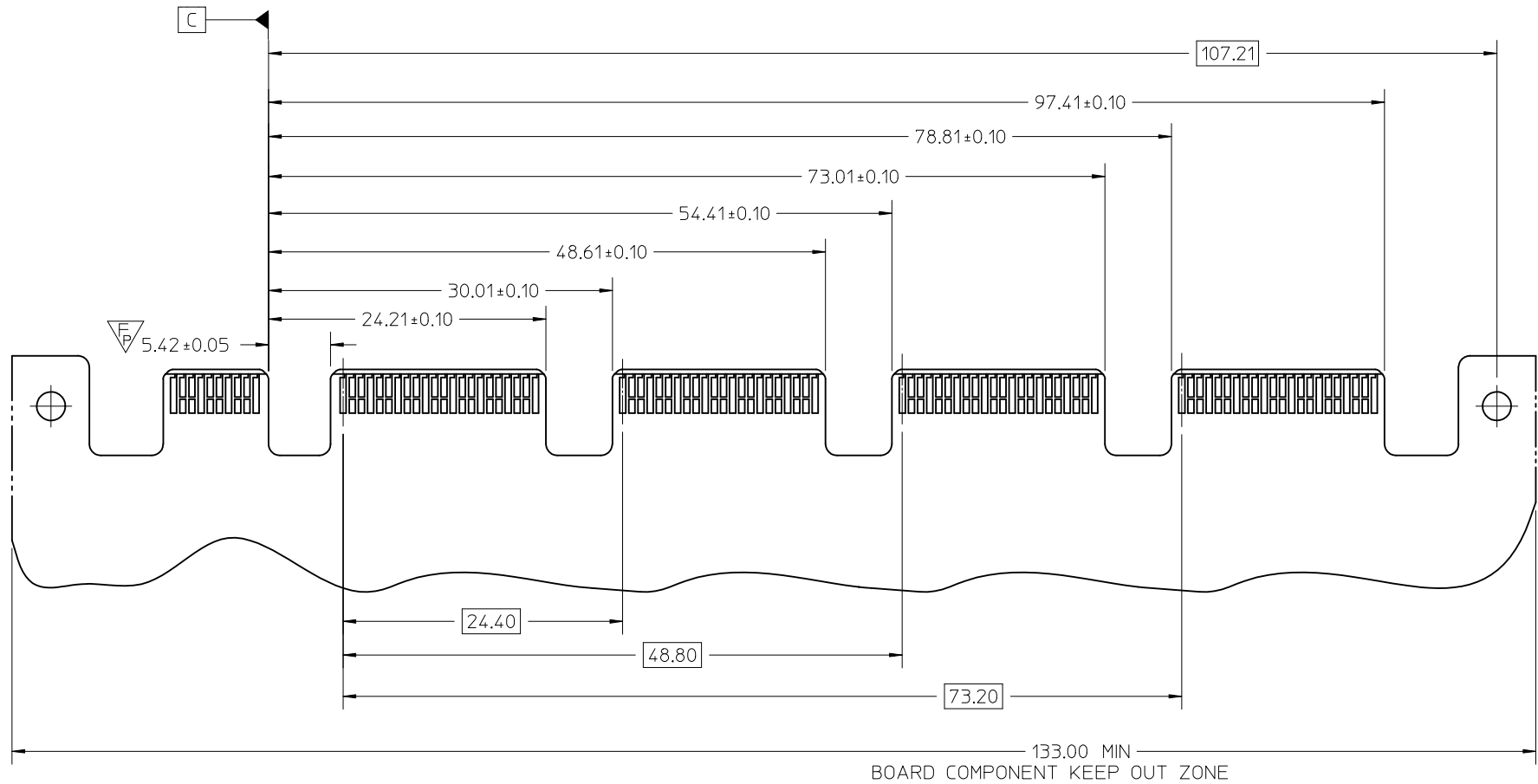
3

2

1

196 CKT

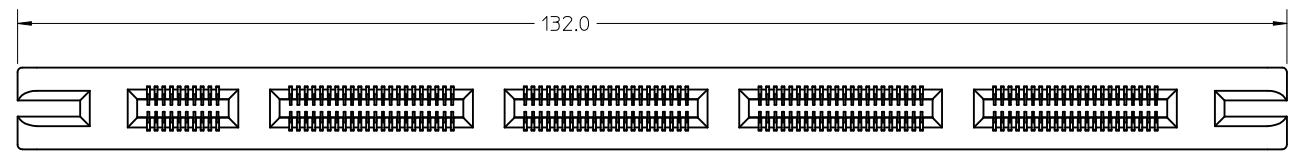
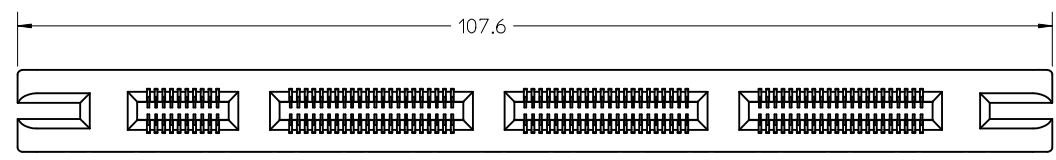
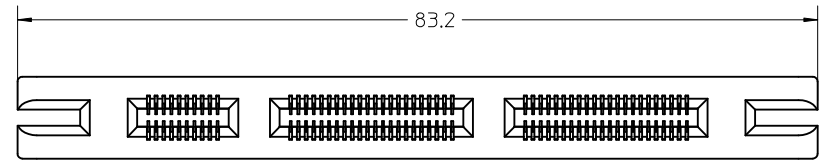
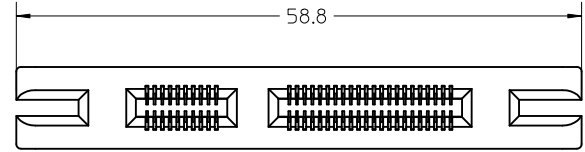
ALL DIMENSIONS ARE SAME AS 64 CKT UNLESS OTHERWISE SPECIFIED BELOW



NOTE:
CONTACT MOLEX FOR CUSTOMER APPLICATIONS WITH MULTIPLE CONNECTORS PER BOARD

SEE SHEET 1 EC NO: UCP2010-0764 DRWN: TREGORI 2009/11/17 CHKD: 2009/11/17 APPR: JCOMERCI 2009/11/18	QUALITY SYMBOLS ▽ = 1 ▽ = 1	GENERAL TOLERANCES (UNLESS SPECIFIED)		DIMENSION STYLE MM ONLY		SCALE 1.80:1	DESIGN UNITS METRIC	THIRD ANGLE PROJECTION	
		4 PLACES	± ---	± ---	DRAWN BY TREGORI	DATE 2008/05/02	TITLE EDGELINE 12.5 GBPS COEDGE CONN.		
		3 PLACES	± ---	± ---	CHECKED BY JCOMERCI	DATE			
		2 PLACES	± ---	± ---	APPROVED BY JCOMERCI	DATE 2009/11/17	MOLEX MOLEX INCORPORATED		
		1 PLACE	± ---	± ---	MATERIAL NO. SEE TABLE		DOCUMENT NO. SD-46720-001	SHEET NO. 5 OF 6	
		ANGULAR ±1/2°		SIZE A		THIS DRAWING CONTAINS INFORMATION THAT IS PROPRIETARY TO MOLEX INCORPORATED AND SHOULD NOT BE USED WITHOUT WRITTEN PERMISSION			
DRAFT WHERE APPLICABLE MUST REMAIN WITHIN DIMENSIONS									

PART NUMBER	CIRCUIT SIZE	PCB A THK (in)	PCB B THK (in)	DIM A
46720 0001	64	.062	.062	58.8
46720 0002	64	.093	.093	58.8
46720 0003	64	.110	.110	58.8
46720 0004	64	.125	.125	58.8
46720 0005	64	.062	.093	58.8
46720 0006	64	.062	.110	58.8
46720 0007	64	.062	.125	58.8
46720 0008	64	.093	.110	58.8
46720 0009	64	.093	.125	58.8
46720 0010	64	.110	.125	58.8
46720 0011	108	.062	.062	83.2
46720 0012	108	.093	.093	83.2
46720 0013	108	.110	.110	83.2
46720 0014	108	.125	.125	83.2
46720 0015	108	.062	.093	83.2
46720 0016	108	.062	.110	83.2
46720 0017	108	.062	.125	83.2
46720 0018	108	.093	.110	83.2
46720 0019	108	.093	.125	83.2
46720 0020	108	.110	.125	83.2
46720 0021	152	.062	.062	107.6
46720 0022	152	.093	.093	107.6
46720 0023	152	.110	.110	107.6
46720 0024	152	.125	.125	107.6
46720 0025	152	.062	.093	107.6
46720 0026	152	.062	.110	107.6
46720 0027	152	.062	.125	107.6
46720 0028	152	.093	.110	107.6
46720 0029	152	.093	.125	107.6
46720 0030	152	.110	.125	107.6
46720 0031	196	.062	.062	132
46720 0032	196	.093	.093	132
46720 0033	196	.110	.110	132
46720 0034	196	.125	.125	132
46720 0035	196	.062	.093	132
46720 0036	196	.062	.110	132
46720 0037	196	.062	.125	132
46720 0038	196	.093	.110	132
46720 0039	196	.093	.125	132
46720 0040	196	.110	.125	132



BOARD THICKNESS (IN)

SEE SHEET 1
 EC NO: UCP2010-0764
 DRWN: TREGORI
 CHKD: TREGORI
 APPR: JCOMERCI

QUALITY SYMBOLS
 DESCRIPTION
 REV

GENERAL TOLERANCES (UNLESS SPECIFIED)

	mm	INCH
4 PLACES	± .005	± .0002
3 PLACES	± .005	± .0002
2 PLACES	± .005	± .0002
1 PLACE	± .005	± .0002

ANGULAR ±1/2°

DRAFT WHERE APPLICABLE
 MUST REMAIN
 WITHIN DIMENSIONS

DIMENSION STYLE
MM ONLY

SCALE
1.40:1

DESIGN UNITS
METRIC

THIRD ANGLE PROJECTION

DRAWN BY: TREGORI
 DATE: 2008/05/02

CHECKED BY: JCOMERCI
 DATE:

APPROVED BY: JCOMERCI
 DATE: 2009/11/17

MATERIAL NO.
SEE TABLE

SIZE
A

TITLE
**EDGELINE
 12.5 GBPS COEDGE CONN.**

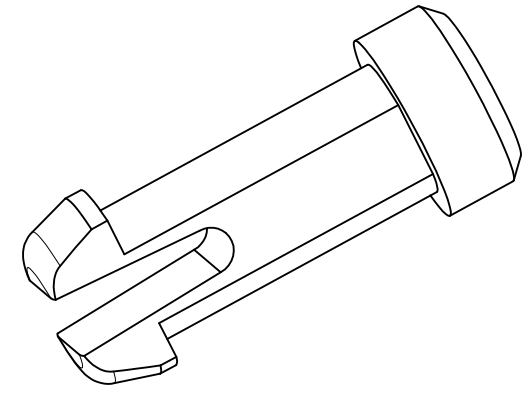
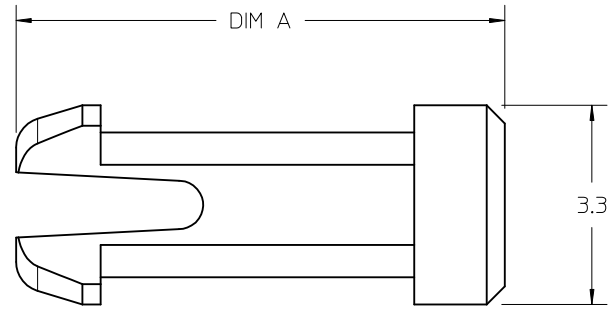
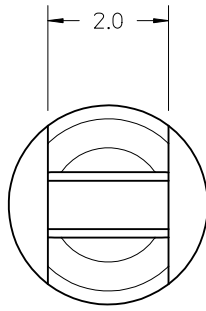
MOLEX INCORPORATED

DOCUMENT NO.
SD-46720-001

SHEET NO.
6 OF 6

THIS DRAWING CONTAINS INFORMATION THAT IS PROPRIETARY TO MOLEX INCORPORATED AND SHOULD NOT BE USED WITHOUT WRITTEN PERMISSION

MOLEX	
PART NUMBER	DIM. A
46720-7710	8.1
46720-7711	9.4



- NOTES:
1. MATERIAL: NYLON 6/6, UL94 V-0 (RMS-19)
COLOR: NATURAL
 2. FOR USE WITH MOLEX EDGELINE COEDGE SERIES 46720.
 3. RIVETS RECEIVED FROM MOLEX IN INDIVIDUAL PLASTIC BAGS WITH QUANTITY 1000 PCS
 4. TO REMOVE RIVET FROM ASSEMBLY USE MOLEX REMOVAL TOOL NUMBER 638133502

REPLACED SD-46720-771 EC NO: UCP2010-2317 DRWN: TGREGORI 2010/03/24 CH'KD: 2010/04/12 APPR: JCOMERCI 2010/04/12	QUALITY SYMBOLS 	GENERAL TOLERANCES (UNLESS SPECIFIED)		DIMENSION STYLE MM ONLY		SCALE 8:1	DESIGN UNITS METRIC	THIRD ANGLE PROJECTION		
			mm	INCH	DRAWN BY TGREGORI	DATE 2010/03/24	TITLE SNAP LOCK PIN EDGELINE COEDGE CONNECTOR			
		4 PLACES	± ---	± ---	CHECKED BY	DATE				
		3 PLACES	± ---	± ---	APPROVED BY JCOMERCI		DATE 2010/04/12	MOLEX INCORPORATED DOCUMENT NO. SD-46720-7710 SHEET NO. 1 OF 1		
2 PLACES	± 0.13	± ---	MATERIAL NO.		SEE TABLE					
1 PLACE	± 0.25	± ---	ANGULAR ± 1/2°		DRAFT WHERE APPLICABLE MUST REMAIN WITHIN DIMENSIONS					